



**obp**  
MOTORSPORT™

**PRODUCT  
CATALOGUE  
2023**



## WELCOME TO OBP MOTORSPORT

Founded in 2007, obp Motorsport have become a world leader in the motorsport & performance manufacturing industry. We are proud to be a UK Design & Engineering company specialising in Bias Pedal Systems, Hydraulic Handbrakes and Precision Fabrication work.

Our passion and precise engineering has been grasping the motorsport industry continuously with both new and redefined products, giving you, the driver, ultimate control over your performance set up. We are a knowledgeable and hard working team who strive to provide our fellow enthusiasts with products you can be confident with.

In 2023, we continue to work closely with MINI CHALLENGE UK providing our V2 Track Pro Pedal System, Fabrication work and Bespoke Braided Brake Lines whilst also bringing in new product ranges such as Fuel Line fittings, Adaptors, Top Mounts and many more so keep your eyes peeled over the next few months!

We are also very excited to announce our new USA Distribution HUB. This Distribution HUB will open doors for both existing and new customers in the US to purchase obp products with super quick lead times, zero import fees and much cheaper shipping rates!

We look forward to working with you all soon.

obp Motorsport



## PEDAL SYSTEMS

RACING SERIES PEDALS .....	4
FLOOR MOUNT BULKHEAD FIT .....	5
FLOOR MOUNT COCKPIT FIT .....	6
TOP MOUNT BULKHEAD FIT .....	7
TOP MOUNT COCKPIT FIT .....	8
FLOOR PAN FIT SYSTEMS .....	9
EV PEDAL SYSTEMS .....	10
KIT CAR PEDAL SYSTEMS .....	11
PEDAL BOX ACCESSORIES .....	12
SERVO REPLACEMENT UNITS .....	13
CLEVIS' & HARDWARE .....	13

## eSPORTS SIM RACING

SIM RACING PEDALS .....	14
SIM RACING ACCESSORIES .....	15

## HYDRAULIC HANDBRAKES .....

16

## ALUMINIUM TANKS

FUEL & WATER SWIRL POTS .....	18
OIL CATCH TANKS .....	19
HEADER & DRY SUMP TANKS .....	20
FUEL TANKS .....	21

## SELF WELD ALLOY FITTINGS .....

23

## FUEL LINE FITTINGS & ADAPTORS .....

24

## FOOTRESTS .....

26

## AIR INTAKE VENTS .....

27

## SUSPENSION TOP MOUNTS .....

27

## SEAT BRACKETS .....

27

## PIT EQUIPMENT .....

28

## BATTERY BRACKETS .....

28

# PEDAL SYSTEMS

## // RACING SERIES HYDRAULIC PEDAL ASSEMBLY THE FLAGSHIP OF OBP MOTORSPORT

With the highest level of engineering comes the new 'Racing Series' pedal assembly. Designed to provide optimum braking performance and weight reduction whilst using topology optimisation and finite element analysis, we have produced the most efficient design possible creating a product that is significantly stronger without adding any mass!

- 15% lighter than the Pro Race V2 alternative at 2.7kg
- 60% more rigid than the Pro Race V2 alternative
- Increased max load capability
- Reduced friction loss in the brake pedal
- Increased durability
- Resistance to side loading on the throttle
- Universal fitment
- CNC Aluminium pedals
- 3mm mild steel cradle
- Multiple pedal ratio & adjustment
- DBW compatible for both linear & rotary\*
- 2 years warranty
- UK manufactured
- Pedals available in black

- Bias Bar included as standard
- Master cylinders sold separately
- Cable throttle linkage sold separately
- Rotary sensor linkage available upon request
- Linear sensor sold separately

### // RACING SERIES PEDAL SYSTEM - ALL CNC MACHINED PEDALS

OBP-RS-002	3 PEDAL SET UP (SILVER SET)	£595.00
OBP-RS-002B	3 PEDAL SET UP (BLACK SET)	£610.00

### // RACING SERIES THROTTLE LINKAGE - CNC MACHINED

OBP TL-001 C	RS THROTTLE LINKAGE	£130.00
--------------	---------------------	---------

### // RACING SERIES THROTTLE SENSOR

OBP POT2	RS LINEAR POTENTIOMETER	£300.90
----------	-------------------------	---------

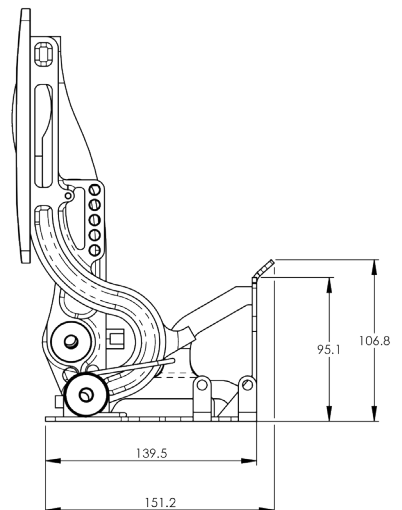
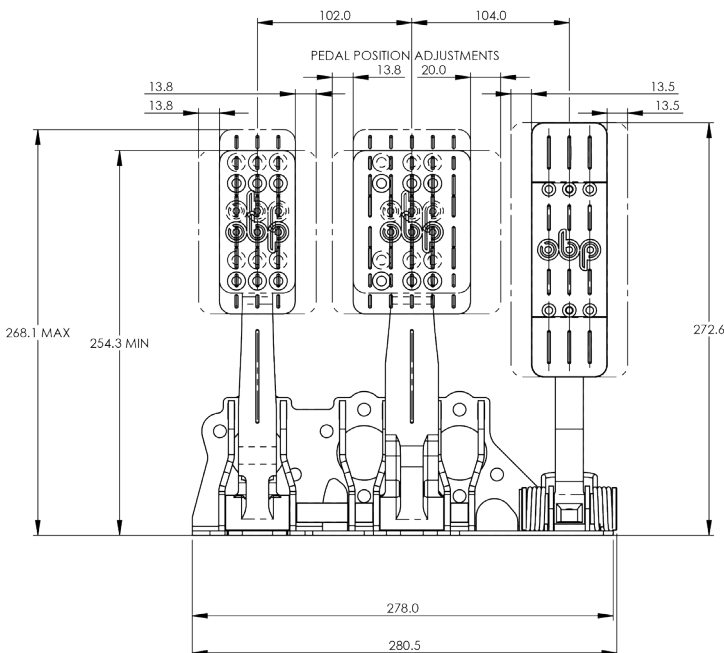


OBP-RS-002  
£595.00

Pedal Ratio: 4.9:1 / 5.24:1



\*MASTER CYLINDERS & LINKAGE SOLD SEPARATELY

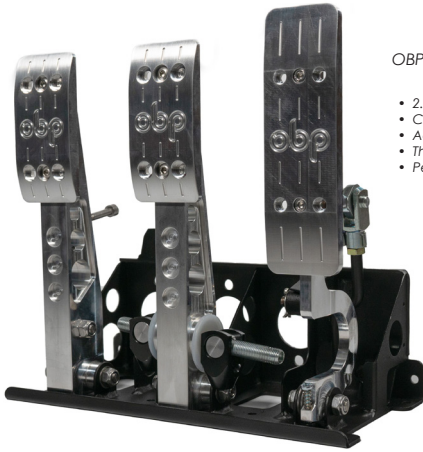


# // FLOOR MOUNTED BULKHEAD FIT HYDRAULIC PEDAL SYSTEMS

Universal pedal assemblies designed to fit up against the bulkhead of the vehicle. From 1, 2 & 3 pedal systems, we have a variety available suitable to your budget from our Pro Race V2 & Victory Range.

// All pedal box assemblies come with a bias bar as standard!

## PEDAL SYSTEMS



OBP0002PR

- 2.5mm Mild Steel Cradle
- CNC Machined Pedals
- Adjustable Pads
- Throttle & Clutch Stops
- Pedal Ratio: 4.9:1 / 5.24:1



OBP0047PR



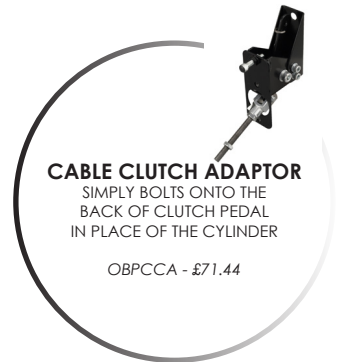
OBPVIC01

- 2.5mm Mild Steel Cradle
- Reinforced Mild Steel Pedals
- Throttle & Clutch Stops
- Pedal Ratio 5:1



OBP0002PR-B

**NEW  
IN BLACK!**



### CABLE CLUTCH ADAPTOR

SIMPLY BOLTS ONTO THE BACK OF CLUTCH PEDAL IN PLACE OF THE CYLINDER

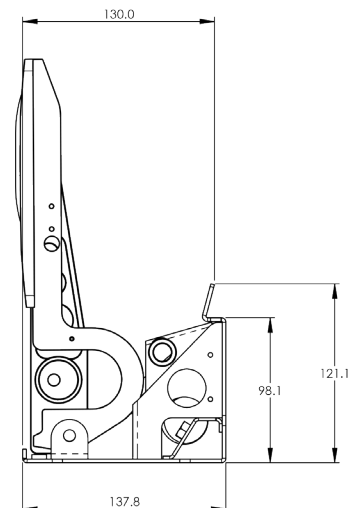
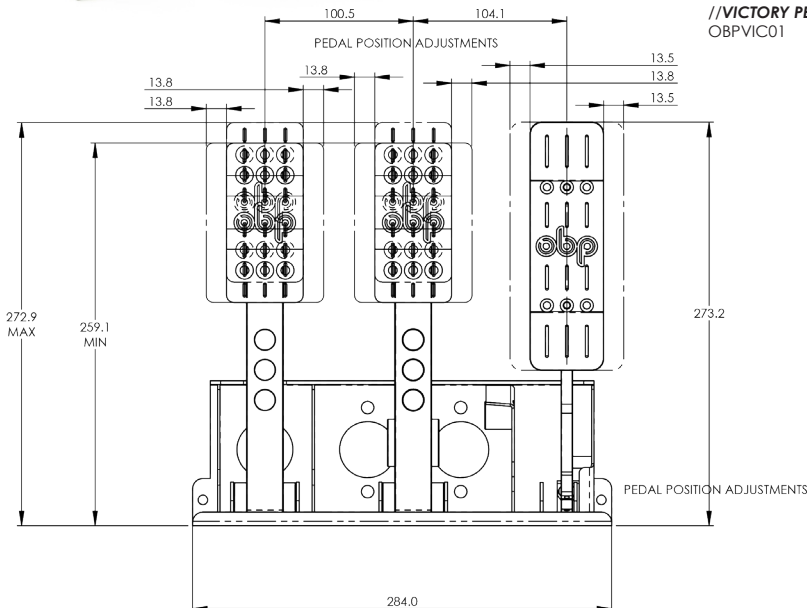
OBPCCA - £71.44

### // PRO RACE V2 PEDAL SYSTEMS - ALL CNC MACHINED PEDALS

OBP0002PR	3 PEDAL SET UP (SILVER SET)	£368.62
OBP0002PR-B	3 PEDAL SET UP (BLACK SET)	£383.62
OBP0161PR	2 PEDAL SET UP BRAKE / CLUTCH	£227.02
OBP0040PR	SINGLE BRAKE PEDAL UNIT	£160.71
OBP0045PR	SINGLE CLUTCH PEDAL UNIT	£149.12
OBP0047PR	SINGLE ACCELERATOR PEDAL	£172.87

### // VICTORY PEDAL SYSTEM - MILD STEEL REINFORCED PEDALS

OBPVIC01	3 PEDAL SET UP	£272.99
----------	----------------	---------



# PEDAL SYSTEMS

## // FLOOR MOUNTED COCKPIT FIT HYDRAULIC / CABLE PEDAL SYSTEMS

### OBPVIC13

- 2mm Mild Steel Cradle
- Flat 5mm Mild Steel Pedals
- Grip pads
- Throttle Stop
- Pedal Ratio: 5.1:1



Universal pedal assemblies designed to fit up against the bulkhead of the vehicle with the master cylinders sitting under your feet - great for maximising your space in the footwell! From 1, 2 & 3 pedal systems, we have a variety available suitable to your budget from our Pro Race V2 & Victory Range.

// All pedal box assemblies come with a bias bar as standard!

### OBPVIC40

- 2mm Mild Steel Cradle
- Reinforced Mild Steel Pedals
- Throttle & Clutch Stops
- Pedal Ratio: 5.1:1
- Textured Grip pads



### OBP0002PRC

- 2mm Mild Steel Cradle
- CNC Machined Pedals
- Adjustable Pads
- Throttle & Clutch Stops
- Pedal Ratio: 5.05:1 / 5.45:1



**NEW!**



### OBP0002PRC-B

**CYLINDER HEEL PLATE**  
SIMPLY BOLTS ONTO THE FRONT OF THE PEDAL BOX TO PROTECT YOUR FEET

OBP0339 (SILVER) - £37.82  
OBP0339DM (BLACK) - £45.06

### // PRO RACE V2 PEDAL SYSTEMS - ALL CNC MACHINED PEDALS

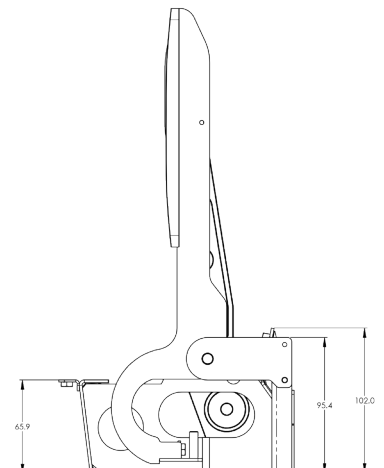
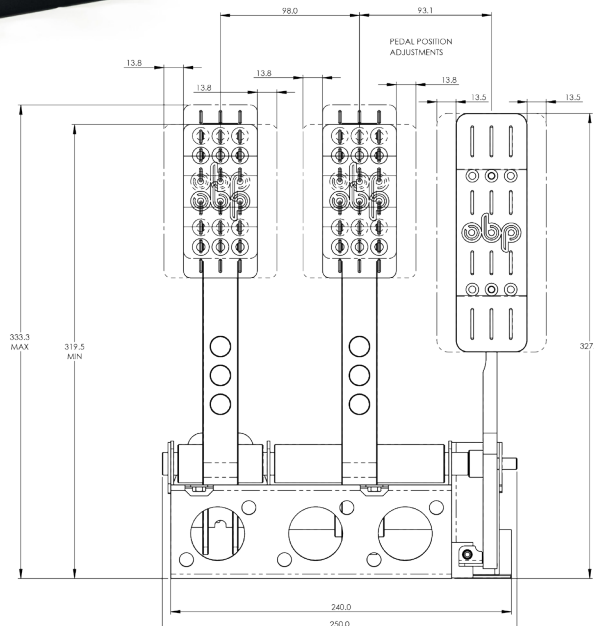
OBP0002PRC	3 PEDAL SET UP (SILVER SET)	£368.62
OBP0002PRC-B	3 PEDAL SET UP (BLACK SET)	£383.62
OBP0161PRC	2 PEDAL SET UP BRAKE / CLUTCH	£227.02
OBP0161PRC-B	2 PEDAL SET UP BRAKE / CLUTCH	£242.02
OBP0040PRC	SINGLE BRAKE PEDAL UNIT	£172.88
OBP0045PRC	SINGLE CLUTCH PEDAL UNIT	£149.12

### // VICTORY PEDAL SYSTEM - 5MM MILD STEEL FLAT PEDALS

OBPVIC13	3 PEDAL SET UP	£272.99
----------	----------------	---------

### // VICTORY PEDAL SYSTEM - MILD STEEL REINFORCED PEDALS

OBPVIC40	3 PEDAL SET UP	£272.99
----------	----------------	---------



# // TOP MOUNTED BULKHEAD FIT HYDRAULIC PEDAL SYSTEMS

# PEDAL SYSTEMS

Universal top mounted pedal assemblies designed to fit up against the bulkhead of the vehicle. From 1, 2 & 3 pedal systems, we have a variety available suitable to your budget from our Pro Race V2 & Victory Range.

// All pedal box assemblies come with a bias bar as standard!

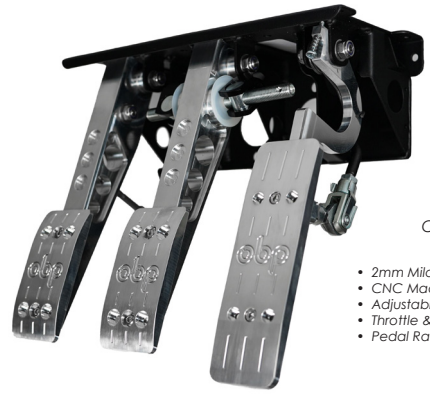


OBPVIC04

- 2mm Mild Steel Cradle
- Mild Steel Reinforced Pedals
- Throttle & Clutch Stops
- Textured Grip Pads
- Pedal Ratio: 5:1



OBP0047PRT



OBP0002PRT

- 2mm Mild Steel Cradle
- CNC Machined Pedals
- Adjustable Pads
- Throttle & Clutch Stops
- Pedal Ratio: 4.9:1 / 5.24:1



### CABLE CLUTCH ADAPTOR

SIMPLY BOLTS ONTO THE BACK OF CLUTCH PEDAL IN PLACE OF THE CYLINDER

OBPCCA - £73.59

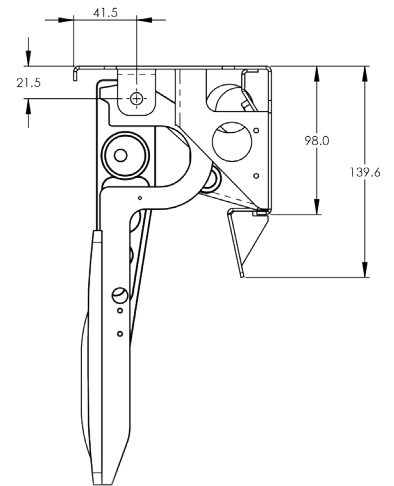
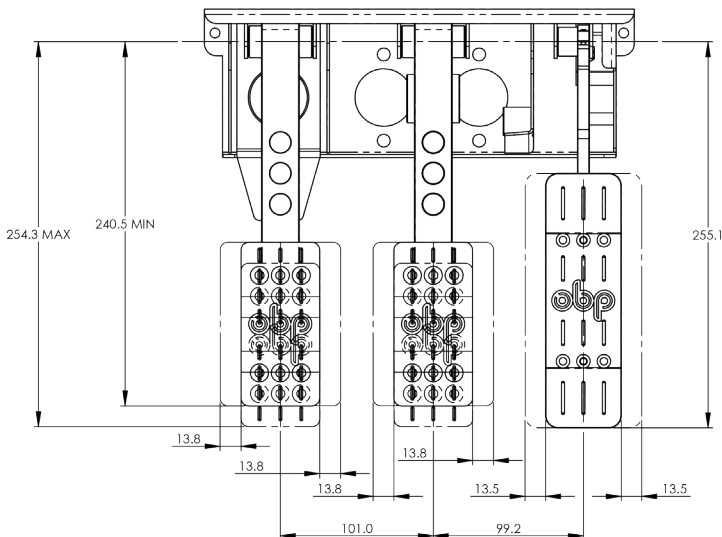
### // PRO RACE V2 PEDAL SYSTEMS - ALL CNC MACHINED PEDALS

OBP0002PRT	3 PEDAL SET UP (SILVER SET)	£368.62
OBP0161PRT	2 PEDAL SET UP BRAKE / CLUTCH	£227.02
OBP0040PRT	SINGLE BRAKE PEDAL UNIT	£160.71
OBP0045PRT	SINGLE CLUTCH PEDAL UNIT	£149.12
OBP0047PRT	SINGLE ACCELERATOR PEDAL	£172.87

### // VICTORY PEDAL SYSTEM - MILD STEEL REINFORCED PEDALS

OBPVIC04	3 PEDAL SET UP	£272.99
----------	----------------	---------

### PEDAL POSITION ADJUSTMENTS



# PEDAL SYSTEMS

## // TOP MOUNTED COCKPIT FIT HYDRAULIC / CABLE PEDAL SYSTEMS

Universal top underslung pedal assemblies designed to fit up against the bulkhead of the vehicle with the master cylinders coming out from the front. From 1,2 & 3 pedal systems, we have a variety available suitable to your budget from our Pro Race V2 & Victory Range.

// All pedal box assemblies come with a bias bar as standard!



OBPVIC19

- 2mm Mild Steel Cradle
- 5mm Flat Mild Steel Pedals
- Textured Grip pads
- Throttle Stops
- Pedal Ratio: 5:1



OBP0301

- 2mm Mild Steel Cradle
- Reinforced Mild Steel Pedals
- Textured Grip pads
- Throttle & Clutch Stops
- Pedal Ratio: 5.5:1
- Offset Clutch Pedal to accommodate steering column

OBP0002PRTC

- 2mm Mild Steel Cradle
- CNC Machined Pedals
- Adjustable Pads
- Throttle & Clutch Stops
- Pedal Ratio: 5.05:1 / 5.45:1



OBP0002PRTC-B

**NEW!**



### // PRO RACE V2 PEDAL SYSTEMS - ALL CNC MACHINED PEDALS

OBP0002PRTC	3 PEDAL SET UP (SILVER SET)	£368.62
OBP0002PRTC-B	3 PEDAL SET UP (BLACK SET)	£383.62
OBP0161PRTC	2 PEDAL SET UP BRAKE / CLUTCH	£227.02
OBP0040PRTC	SINGLE BRAKE PEDAL UNIT	£172.86
OBP0045PRTC	SINGLE CLUTCH PEDAL UNIT	£149.12

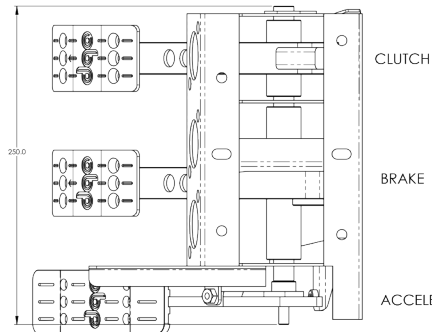
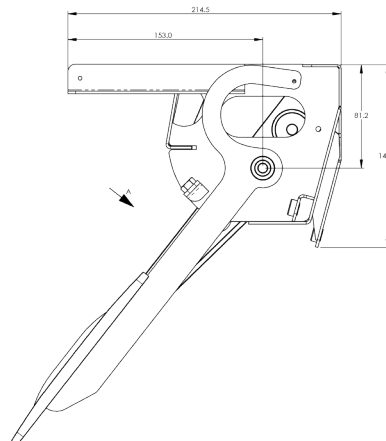
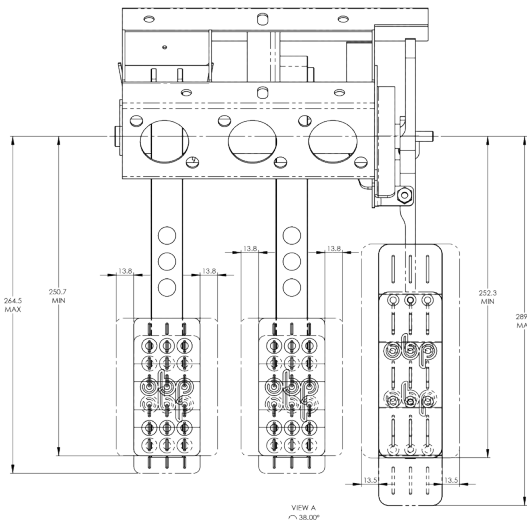
### // VICTORY PEDAL SYSTEM - 5MM MILD STEEL FLAT PEDALS

OBPVIC19	3 PEDAL SET UP	£272.99
----------	----------------	---------

### // CLASSIC MINI PEDAL SYSTEM - MILD STEEL REINFORCED PEDALS

OBP0301	3 PEDAL SET UP	£346.81
---------	----------------	---------

PEDAL POSITION ADJUSTMENTS





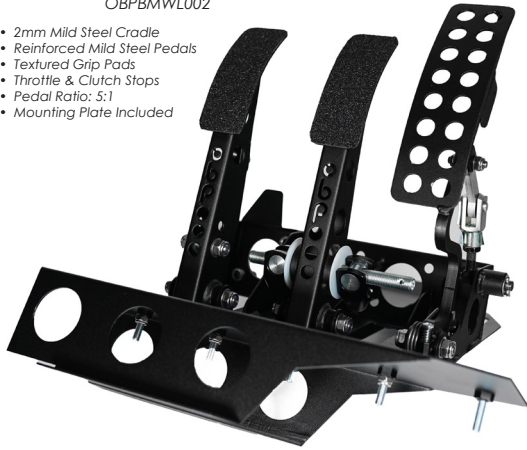
## // FLOOR PAN FIT PEDAL SYSTEMS

These pedal systems have been specifically designed to meet the floor pan of most vehicles. Utilising a 30° angle base box you are able to fit the universal pedal systems to most angled floor pans.

// All pedal box assemblies come with a bias bar as standard!

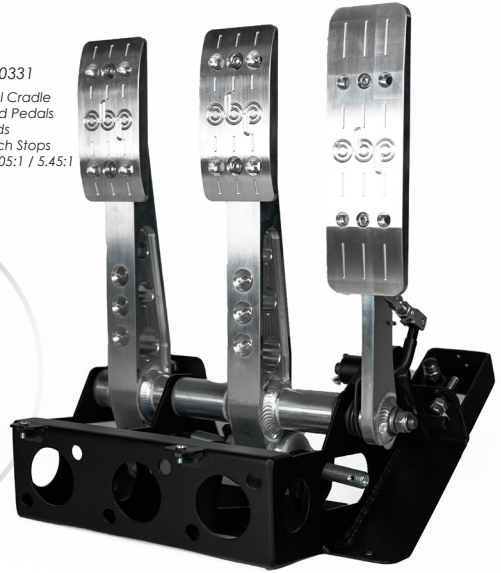
OBPBMW002

- 2mm Mild Steel Cradle
- Reinforced Mild Steel Pedals
- Textured Grip Pads
- Throttle & Clutch Stops
- Pedal Ratio: 5:1
- Mounting Plate Included



OBP0331

- 2mm Mild Steel Cradle
- CNC Machined Pedals
- Adjustable Pads
- Throttle & Clutch Stops
- Pedal Ratio: 5.05:1 / 5.45:1



### CYLINDER HEEL PLATE

SIMPLY BOLTS ONTO THE FRONT OF THE PEDAL BOX TO PROTECT YOUR FEET

OBP0339 (SILVER) - £38.96  
OBP0339DM (BLACK) - £46.41



OBPXY002

- 2mm Mild Steel Cradle
- Reinforced Mild Steel Pedals
- Textured Grip Pads
- Throttle Stops
- Pedal Ratio: 5:1



### CABLE CLUTCH ADAPTOR

SIMPLY BOLTS ONTO THE CLUTCH CYLINDER MOUNT POSITION

OBPPCCA - £67.89



**NEW!**



OBP0331-B

### // TRACK PRO V2 PEDAL SYSTEMS - ALL CNC MACHINED PEDALS

OBP0331	3 PEDAL SET UP (SILVER SET)	£455.62
OBP0331-B	3 PEDAL SET UP (BLACK SET)	£470.62

### // UNIVERSAL TRACK PRO PEDAL SYSTEM - MILD STEEL REINFORCED PEDALS

OBPXY002	3 PEDAL SET UP	£402.32
OBPPCCA	CABLE CLUTCH ADAPTOR (TRACK PRO)	£69.93

### // BMW E36 PEDAL SYSTEM - MILD STEEL REINFORCED PEDALS

OBPBMW002	3 PEDAL SET UP (RIGHT HAND)	£435.93
OBPBMW002	3 PEDAL SET UP (LEFT HAND)	£435.93

# PEDAL SYSTEMS

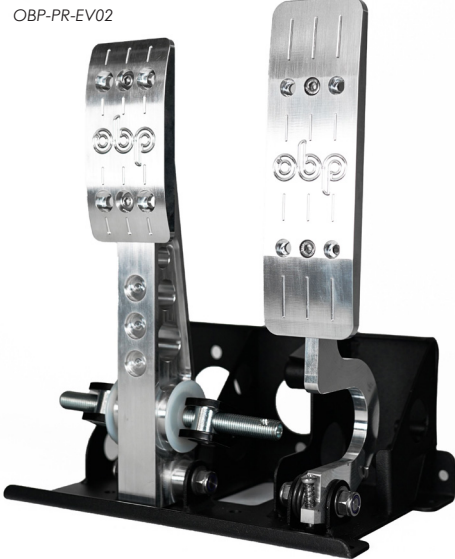
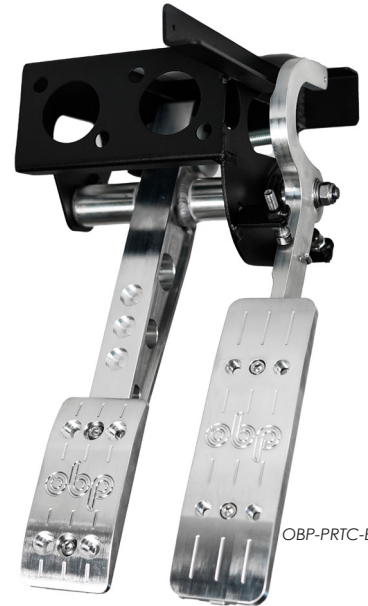
## // EV ELECTRIC VEHICLE PEDAL SYSTEMS

The Pro EV pedal system range takes the engineering from the Pro Race V2 pedal system and specifically alters it to tailor use with electric & automatic vehicles.

The lightweight range dual brake master cylinder bias controlled boxes have been designed to offer the driver the highest level of efficiency in this critical area.

### // FEATURES

- CNC MACHINED PEDALS
- ADJUSTABLE PEDAL PADS
- 2MM MILD STEEL CRADLE
- MULTIPLE PEDAL RATIO
- ADJUSTABLE ACCELERATOR STOPS & RETURN
- DBW COMPATIBLE
- BIAS BAR INCLUDED



#### // PRO RACE V2 PEDAL SYSTEMS - FLOOR MOUNT BULKHEAD FIT

OBP-PR-EV02	2 PEDAL SET UP	£280.93
OBPPRL001	PR-EV02 THROTTLE LINKAGE KIT	£38.93

#### // PRO RACE V2 PEDAL SYSTEMS - FLOOR MOUNT COCKPIT FIT

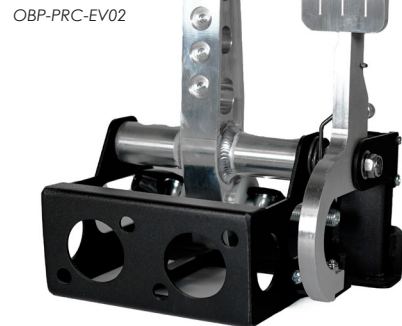
OBP-PRC-EV02	2 PEDAL SET UP	£280.93
--------------	----------------	---------

#### // PRO RACE V2 PEDAL SYSTEMS - TOP MOUNT BULKHEAD FIT

OBP-PRT-EV02	2 PEDAL SET UP	£280.93
OBPPRTL001	PRT-EV02 THROTTLE LINKAGE KIT	£38.93

#### // PRO RACE V2 PEDAL SYSTEMS - TOP MOUNT COCKPIT FIT

OBP-PRTC-EV02	2 PEDAL SET UP	£280.93
---------------	----------------	---------



## // KIT CAR SPECIFIC PEDAL SYSTEMS

The Kit Car pedal systems have been designed to work in most space frame chassis kit cars with a bulkhead. These systems come with a square cut out in the rear of the cradle to help fit the system over the bottom rail in the drivers footwell.

## PEDAL SYSTEMS

OBPKCP101-B

NEW!



### CABLE CLUTCH ADAPTOR

SIMPLY BOLTS ONTO THE BACK OF CLUTCH PEDAL IN PLACE OF THE CYLINDER

OBPCCA - £73.59

OBPKCP101

- 2mm Mild Steel Cradle
- CNC Machined Pedals
- Rear Entry Cable
- Pedal Ratio: 4.9:1 / 5.24:1
- Adjustable Stops



### // KIT CAR V2 PEDAL SYSTEMS - CNC MACHINED PEDALS

OBPKCP101	3 PEDAL SET UP - HYDRAULIC CLUTCH (SILVER)	£393.25
OBPKCP101-B	3 PEDAL SET UP - HYDRAULIC CLUTCH (BLACK)	£408.25

### // KIT CAR ECONOMY PEDAL SYSTEMS - MILD STEEL REINFORCED PEDALS

OBPKC001	3 PEDAL SET UP - HYDRAULIC CLUTCH	£263.03
OBPKC011	3 PEDAL SET UP - CABLE CLUTCH	£248.72

#### KIT INCLUDED HYDRAULIC CLUTCH:

- 3 x MASTER CYLINDERS
- 1 x BIAS BAR
- 2 x NYLOC NUTS
- 3 x CYLINDER BOLT KITS

#### KIT INCLUDED CABLE CLUTCH:

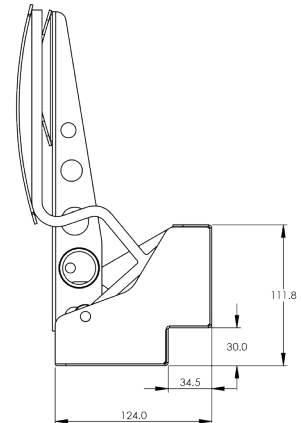
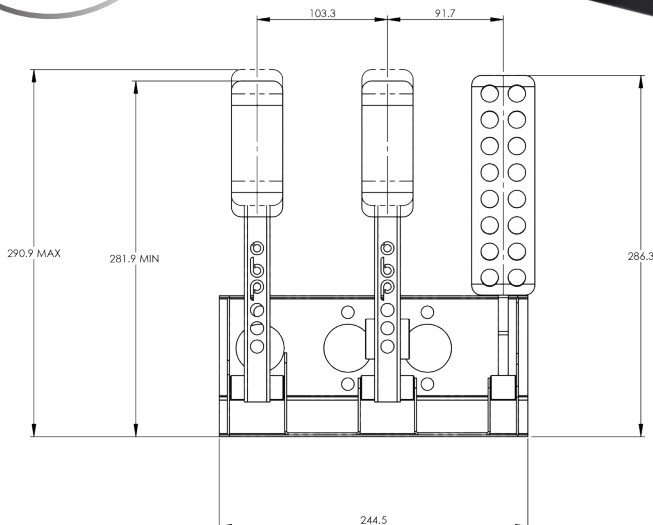
- 2 x MASTER CYLINDERS
- 1 x BIAS BAR
- 2 x NYLOC NUTS
- 2 x CYLINDER BOLT KITS

OBPKC011

- Mild Steel Cradle
- Mild Steel Reinforced Pedals
- Textured Grip Pads
- Designed for Top Entry Cable
- Pedal Ratio: 5:1
- Cable Clutch



OBPKC001



# PEDAL SYSTEMS

## // PEDAL BOX ACCESSORIES & ANCILLARIES

Our specially selected range of products that work in unison with all of our obp motorsport core hardware. We have you covered on all aspects from cylinders to bolt kits!



### // NEW OBP COMPACT MASTER CYLINDERS & REPAIR KITS

OBPFC-625	0.625" BORE	£68.02
OBPFC-700	0.700" BORE	£68.02
OBPFC-750	0.750" BORE	£68.02
OBPFC-625RP	0.625" REPAIR KIT FOR OBPFC-615	£12.50
OBPFC-700RP	0.700" REPAIR KIT FOR OBPFC-700	£12.50
OBPFC-750RP	0.750" REPAIR KIT FOR OBPFC-750	£12.50

### // OBP INTEGRAL MASTER CYLINDERS

OBPMC01	0.625" BORE	£40.60
OBPMC02	0.700" BORE	£40.60
OBPMC03	0.750" BORE	£40.60
OBPMC005	0.875" BORE	£40.60
OBPMC007	1" BORE	£40.60



### // OBP REMOTE STANDARD MASTER CYLINDERS & REPAIR KITS

OBPCB001	0.700" BORE	£35.25
OBPCB002	0.625" BORE	£35.25
OBPCB003	0.750" BORE	£35.25
OBPRP7	0.700" REPAIR KIT / OBPCB001	£11.12
OBPRP625	0.625" REPAIR KIT / OBPCB002	£11.12
OBPRP75	0.750" REPAIR KIT / OBPCB002	£11.12
OBPMC15	0.875" BORE	£35.25
OBPMC17	1" BORE	£35.25
OBPMCPR01	REPLACEMENT PUSH ROD	£3.17

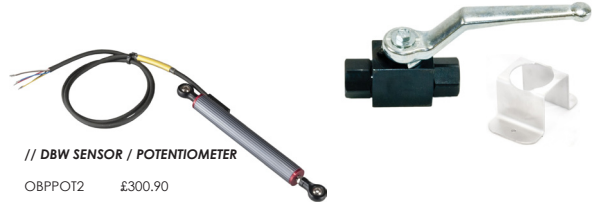


### M/CYLINDER SPEC:

INLET: 7/16" UNF  
OUTLET: 3/8" UNF  
PUSH ROD: 5/16" X 85MM

### // LINE LOCKS & BRACKETS

OBPCB011	LINE LOCK	£31.86
OBPLL01	LINE LOCK BRACKET	£10.48



### // DBW SENSOR / POTENTIOMETER

OBPPOT2	£300.90
---------	---------

### // IN LINE BRAKE PRESSURE SWITCHES

OBP-BPS-01	1/8 NPT INLINE PRESSURE SWITCH	£12.79
OBP-BPS-02	3/8" MALL 1/8 NPT FEMALE T	£23.36

OBP-BPS-01



OBP-BPS-02

OBPCB004  
7/16" Thread



### // REMOTE RESERVOIRS, MOUNTING BRACKETS & SENSORS

OBPCB004	80mm TALL	£10.97
OBPCB004B	115mm TALL	£13.18
OBPCB004-T	RESERVOIR CAP	£5.56
OBPCB013	FLOAT LEVEL SWITCH	£10.26
OBPCB006	TRIPLE HOLE BRACKET	£10.82
OBPCB007	DOUBLE HOLE BRACKET	£9.61
OBPCB008	SINGLE HOLE BRACKET	£8.27

OBPCB013



### // BIAS ADJUSTMENT & VALVES

OBPCB009	700mm BIAS ADJUSTER	£31.09
OBPCB009L	1700mm BIAS ADJUSTER	£38.93
OBPCB010	BIAS BAR & TUBE	£29.78
OBPBV01	SCREW TYPE BIAS VALVE	£32.08
OBPBV02	LEVER TYPE BIAS VALVE	£40.10
OBPCB012	SCREW TYPE BIAS VALVE	£48.63



### // RESERVOIR FEED LINES

OBPST001	310mm FEED LINE	£13.93
OBPST002	620mm FEED LINE	£18.19
OBPST003	930mm FEED LINE	£22.70
OBPSUB01	1620mm FEED LINE	£47.17
OBPMINI001	530mm FEED LINE	£57.62
OBPBAN01	7/16 BANJO & BOLT	£26.60
OBPFHF	7/16 MALE ADAPTOR	£7.41



OBPST001/02/03 - Comes with adaptor  
OBPSUB01 / OBPMINI001 - Comes with OBPBAN01



OBPBAN01

### // PEDAL BOX MOUNTING

OBPCB014	6 X M8 MOUNTING BOLTS	£27.81
OBPCB015	7/16 TO 3/8" BIAS BAR ADAPTOR	£6.02
OBP0048PR	TWIN CABLE BLOCK	£12.64
OBPCCA	V2 CABLE CLUTCH ADAPTOR	£73.59
OBPPCCA	OBPY002 CABLE CLUTCH APAPTOR	£69.93
OBP0099PR	PR STRENGTH BRACE	£78.39
OBPBOLT1	SINGLE CYLINDER BOLT KIT	£1.11
OBPBOLT3	TRIPLE CYLINDER BOLT KIT	£3.34

OBP0048PR



OBP0099PR

OBPCB016



# // UNIVERSAL SERVO REPLACEMENT UNIT

# PEDAL SYSTEMS

The Universal Servo Replacement has been designed for car builders looking to keep their existing pedal set up but want to control the braking through a bias system.

Designed to be suitable for most master cylinder applications especially obp branded cylinders.

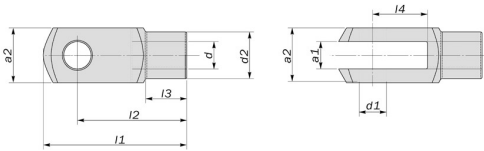
**NEW!**



OBP-USR-01  
£283.31

- Mild Steel Cradle
- Fits Existing Pedal Set Up
- Allows Adjustment of Brake Bias
- Universal Fit
- Oil-impregnated Bronze Bearings
- Pedal Ratio: As per existing pedal

# // FITTINGS, ADAPTORS & HARDWARE



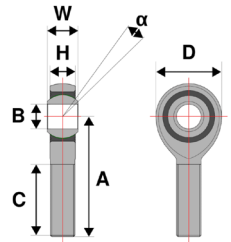
(mm)	A1	A2	D	D1	D2	I1	I2	I3	I4
<b>OBPCB005S</b>	8.15	16	5/16"	8	14	42.3	32	12	16
<b>OBPCB005</b>	8.9	15.7	5/16"	8	14	49.5	40	12	24
<b>OBPCB005L</b>	8.35	15.9	5/16"	8	14	58	40	12	24
<b>OBPG5</b>	5.32	9.9	M6	5	9.8	25.9	20	6.5	10
<b>OBPG6</b>	6.3	11.8	M6	6	10	30.9	24	9	12

### // CLEVIS FORKS

OBPCB005S	£4.34
OBPCB005	£4.23
OBPCB005L	£5.15
OBPG5	£3.56
OBPG6	£3.67



(mm)	A	B	C	D	H	W	Thread	// ROD ENDS
<b>OBPNF5</b>	35	8	22	22.7	8.35	11	5/16"-24 Female	OBPNF5 £9.74
<b>OBPNM5</b>	42	8	27	24	5.93	7.91	5/16"-24 Male	OBPNM5 £8.02
<b>OBPNFRM10</b>	45	10	31	26	10.3	13.95	M10x1.5 Male	OBPNFRM10 £10.45
<b>OBPNFRM12</b>	54	12	35	30	11.8	16	M12x1.75 Male	OBPNFRM12 £12.36



### // COMPETITION QUICKSHIFTS

OBPQS001	PEUGEOT 206 / 306 TURRET TYPE	£51.56
OBPQS002	PEUGEOT 106 / SAXO / AX TURRET TYPE	£56.14
OBPQS003	PEUGEOT 106 / SAXO	£22.92

OBPQS001



OBPQS003



OBP0331 PEDAL SYSTEM INSTALLED  
IN MINI CHALLENGE UK CAR!

## // eSPORTS SIM RACING HYDRAULIC PEDAL SYSTEM

TAKING SIM RACING TO THE NEXT LEVEL.

Based on our very popular obp Motorsport Pro Race V2 pedal systems & with over 15 years of proven real world motorsport winning success, our engineering expertise has been packaged into the obp eSports Pro Race V2 pedal system. This will take your sim racing to another level, giving you the most immersive & realistic motorsport simulation experience.

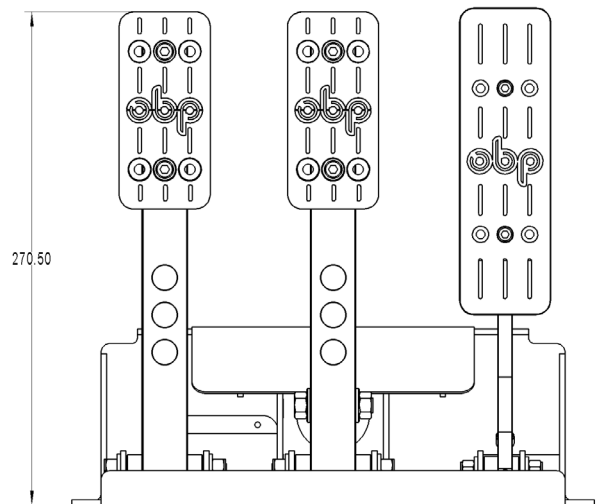
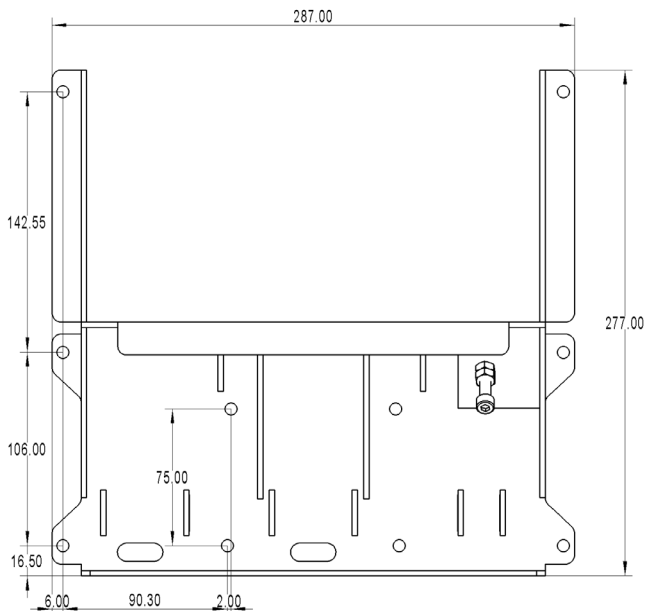
Constructed from CNC machined aluminium pedals and a mild steel cradle, these pedals offer adjustable pedal ratios, accelerator return and multiple pad positioning - just like our other CNC machined pedal boxes!

The kit comes with 3 x Fibro Elastomer springs providing different strengths to help adjust the firmness of the brake pedal so you can get the feel you desire!

The PC control board allows for high resolution input featuring a 1000hz response time which eliminates any latency in pedal travel from the signal between the pedals and the computer.

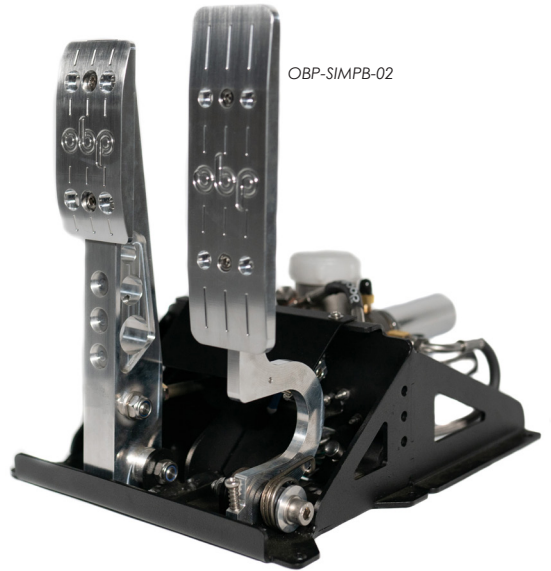
With multiple choices of connectivity, it could not be easier to connect the pedal system, either directly with your wheel base via RJ45 cable or simply connect to your PC via USB adaptor.

- CNC machined adjustable pedals
- Fully hydraulic utilising our own master & slave cylinders
- Adjustable throttle / clutch stops
- HEL pvc coated brake hose
- Simple 'plug & play' set up
- Available in black & silver
- Available as a 3 pedal or 2 pedal set up
- Fibro Elastomer springs included
- Sim Bolt kit included
- USB adaptor included





OBP-SIMPB-01B



OBP-SIMPB-02

**// ESPORTS PRO RACE V2 PEDAL SYSTEMS - CNC MACHINED PEDALS**

OBP-SIMPB-01	3 PEDAL SET UP - HYDRAULIC SYSYEM (SILVER)	£1,076.75
OBP-SIMPB-01B	3 PEDAL SET UP - HYDRAULIC SYSTEM (BLACK)	£1,076.75
OBP-SIMPB-02	2 PEDAL SET UP - HYDRAULIC SYSTEM (SILVER)	£908.78
OBP-SIMPB-02B	2 PEDAL SET UP - HYDRAULIC SYSTEM (BLACK)	£908.78

**// ESPORTS PRO RACE V2 PEDAL SYSTEMS - ACCESSORIES**

OBPPED4W	WIDE PEDAL PAD - SILVER	£37.80
OBPPED4W-B	WIDE PEDAL PAD - BLACK	£37.80
OBP-SIUSB-01	USB ADAPTOR	£84.10
OBP-SPR-0031	REPLACEMENT ACCEL SPRING	£13.60
OBP-RS-001	5PC RUBBER FIBRO SET	£20.09
OBPMC005	0.875" INTEGRAL CYLINDER	£40.60
OBPSC875	0.875" SIM SLAVE CYLINDER	£51.23

OBP-RS-001



OBP-SPR-0031

OBPSC875



OBP-SIMPB-01

**COMING SOON!**  
eSports SIM Handbrake & eSports SIM Button Box

# HANDBRAKES

## // HYDRAULIC HANDBRAKES

Our Hydraulic Handbrakes have been the pinnacle of engineering for the past 15 years being used in almost every application such as drift, track, rally and stunt vehicles! With universal mounting and an ergonomic design.

Available in different styles to suit your requirements and budget.



OBPHBV20A1L

- 2mm Mild Steel Cradle
- CNC Machined Lever
- CNC Adjustable Grips
- Lockable
- Multi-Orientation
- 320-380mm Length



OBPHBV2L0A1

- 2mm Mild Steel Cradle
- CNC Machined Lever
- CNC Adjustable Grips
- Non - Lockable
- Multi-Orientation
- 540-600mm Length

### // PRO-DRIFT V2 HYDRAULIC HANDBRAKE - CNC LEVER & GRIPS

OBPHBV20A1	NON LOCKABLE 320-380mm	£159.82
OBPHBV20A1L	LOCKABLE 320-380mm	£177.64
OBPHBV2L0A1	NON LOCKABLE 540-600mm	£179.07
OBPHBV2L0A1L	LOCKABLE 540-600mm	£196.89

### // VICTORY+ HYDRAULIC HANDBRAKE - MILD STEEL TUBE

OBPHB0A1L	HORIZONTAL LOCKABLE - 280mm	£114.25
OBPHB0A2L	45° LOCKABLE - 280mm	£114.25
OBPHB0A3	VERTICAL NON LOCKABLE - 280mm	£97.56
OBPHB0A3L	VERTICAL LOCKABLE - 280mm	£114.25
OBPHBLA3	VERTICAL NON LOCKABLE - 600mm	£108.69
OBPHBLA3L	VERTICAL LOCKABLE - 600mm	£119.81

### // VICTORY HYDRAULIC HANDBRAKE - CNC LEVER

OBPHBVIC01	NON LOCKABLE 300mm	£109.74
OBPHBVIC01L	LOCKABLE 300mm	£127.57
OBP-HBVIC-03	NON LOCKABLE 400mm	£132.20
OBP-HBVIC-03L	LOCKABLE 400mm	£150.02

### // REVERSE STYLE HYDRAULIC HANDBRAKE - MILD STEEL TUBE

OBPHBR02	NON LOCKABLE 280mm	£105.77
OBPHBR04	NON LOCKABLE 600mm	£108.72



OBPHVIC01L

- 2mm Mild Steel Cradle
- CNC Machined Lever
- Lockable
- 45° Angle
- 300mm Length



OBP-HBVIC-03

- 2mm Mild Steel Cradle
- CNC Machined Lever
- Non Lockable
- 45° Angle
- 400mm Length



OBPHBLA3L

- 2mm Mild Steel Cradle
- Mild Steel Lever
- Lockable
- Vertical
- 600mm Length
- Rubber Grip



OBPHB0A3L

- 2mm Mild Steel Cradle
- Mild Steel Lever
- Lockable
- Vertical
- 280mm Length
- Rubber Grip



OBPHBR02

- 2mm Mild Steel Cradle
- Mild Steel Lever
- Vertical
- 280mm Length
- Rubber Grip
- Reverse Style

**MASTER CYLINDERS AVAILABLE!**  
SEE PG. 12



OBPHB0A1L

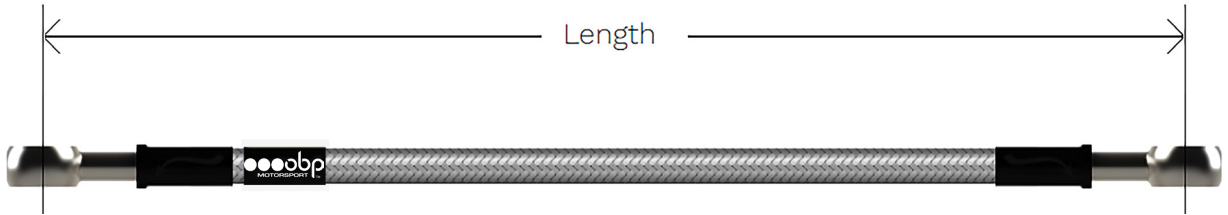
- 2mm Mild Steel Cradle
- Mild Steel Lever
- Lockable
- Vertical
- 280mm Length
- Rubber Grip



## // UNIVERSAL BRAIDED BRAKE LINE MANUFACTURE

## BRAKE LINES

Our in house manufactured braided brake / clutch lines enable you to create custom length brake lines suited to your requirements. The hoses are stringently tested to the requirements as laid down by regulations. All obp brake hoses comply with the requirements of FMVSS-106 which are set out to the strict test criteria that all hoses must pass to enable use on the road.



LINE INNER MATERIAL : PTFE  
 LINE OUTER MATERIAL: PVC COVERED ST/ST  
 FITTINGS MATERIAL: ST/ST  
 TEMPERATURE RANGE: -70° TO 260°  
 INSIDE DIAMETER: 3.5mm  
 OUTSIDE DIAMETER: 7.5mm  
 MAX WORKING PRESSURE: 290 BAR  
 BURST PRESSURE: 870 BAR  
 MINIMUM BEND RADIUS: 38mm

#### FITTINGS SPEC AVAILABLE:

- BANJO
- SWIVEL MALE
- FIXED MALE
- FIXED MALE BULKHEAD
- SWIVEL FEMALE

#### THREAD SPEC AVAILABLE:

- M10X1
- M10X1.25
- 3/8 X 24 UNF
- 7/16 X 20 UNF
- M12X1
- 1/8 BSP

**CONTACT US!**

**FOR PRICING ON  
 CUSTOM BRAKE  
 LINES!**

## // FITTINGS & ADAPTORS



#### // BANJO BOLTS (W/ WASHERS)

OBP150-03	3/8 x 24 UNF Single	£2.49
OBP150-04	7/16 x 20 UNF Single	£2.49
OBP150-31	M10x1 Single	£2.49
OBP150-32	M10x1.25 Single	£2.49
OBP151-03	3/8 x 24 UNF Double	£3.00
OBP161-31	M10x1 Double	£3.00
OBP160-32	M10x1.25 Double	£3.00



#### // P CLIPS

OBPPC-12	12mm P Clip	£2.99
OBPPC-9	9mm P Clip	£1.99



#### // ADAPTORS

OBP-03-45D	3/8 UNF 45° Bulkhead Adaptor W/Nut	£8.00
OBP-03-90D	3/8 UNF 90° Bulkhead Adaptor W/Nut	£8.00
OBP-03-ST	3/8 UNF Straight Bulkhead Adaptor W/Nut	£3.20
OBP-0303C	3/8 Male / Male Standard Adaptor	£2.75



#### // COPPER WASHERS (10PACK)

OBPCW10-10	10mm Washers	£1.99
OBPCW11-10	11mm Washers	£1.99



#### // BLEED NIPPLES

OBPBNM10	M10x1 Bleed Nipple	£2.99
OBPBNS8	3/8x24 UNF Bleed Nipple	£2.99



#### // TEE PIECES

OBP319-31	M10x1 Brass Female T	£8.50
OBP319-03	3/8 UNF Brass Female T	£8.50

# SWIRL POTS

## // FUEL SWIRL POTS

Designed to meet the requirements of the serious enthusiasts who are using fuel injected cars for competition or track use. The obp Swirl Pots will ensure a constant supply of fuel resulting in a minimal risk of an injection pump failure through fuel starvation or air contamination in fuel.

### // UNIVERSAL ALUMINIUM SWIRL POTS WITH PUSH ON FITTINGS

Capacity (L)	Mounting	DIA (mm)	Height (MM)	Notes	Part Number	Variant	RRP
1	Base	100	135		OBPA020		£56.10
1	Base	100	135		OBPA020DM	BLACK	£62.77
2	Base	100	280		OBPA021		£64.27
2	Base	100	280		OBPA021DM	BLACK	£70.95
2	Bulkhead	100	280	Outlet from Base	OBPA022		£59.51
1	Bulkhead	100	135	Outlet from Base	OBPA023		£56.10
2	Bulkhead	100	280	Bent Top Tube	OBPA024		£64.27
2	Bulkhead	100	280	Bent Top Tube	OBPA024DM	BLACK	£70.95
1	Bulkhead	100	135	Bent Top Tube	OBPA025		£56.10
1	Bulkhead	100	135	Bent Top Tube	OBPA025DM	BLACK	£62.77
1.5	Base	100	220		OBPA026		£59.60
1.5	Bulkhead	100	220	Outlet from Base	OBPA027		£59.60
1.5	Bulkhead	100	220	Bent Top Tube	OBPA028		£59.60
2	Base	130	170	Bent Top Tube	OBPA029		£64.27
2	Bulkhead	130	170	Bent Top Tube	OBPA030		£64.27

### // UNIVERSAL ALUMINIUM SWIRL POTS WITH JIC / AN FITTINGS

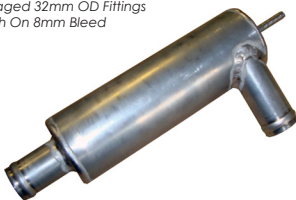
Capacity (L)	Mounting	DIA (mm)	Height (MM)	Notes	Part Number	Variant	RRP
1	Base	100	135		OBPJICS23		£85.31
1	Base	100	135		OBPJICS23DM	BLACK	£91.99
1.5	Base	100	220		OBPJICS24		£88.83
1.5	Base	100	220		OBPJICS24DM	BLACK	£95.50
2	Base	100	280		OBPJICS25		£92.33
2	Base	100	280		OBPJICS25DM	BLACK	£99.00
1	Bulkhead	100	135	Outlet from Base	OBPA023J		£85.31
1	Bulkhead	100	135	Outlet from Base	OBPA023JDM	BLACK	£91.98
1.5	Bulkhead	100	220	Outlet from Base	OBPA027J		£88.83
2	Bulkhead	130	170		OBPA030J		£92.33

## // WATER SWIRL POTS

It is standard race car practice to use a swirl pot in the cooling system. If hot spots in the engine cause localised boiling of the water, small pockets of air will form. Air in the water will reduce heat transfer in the cooling system. The swirl pot will spin the water around inside allowing air to rise and be released.

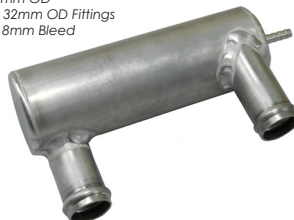
OBPWSP001  
£71.29

195mm x 65mm OD  
2 x Swaged 32mm OD Fittings  
1 x Push On 8mm Bleed



OBPWSP002  
£71.29

195mm x 65mm OD  
2 x Swaged 32mm OD Fittings  
1 x Push On 8mm Bleed



OBPWSP003  
£82.42

195mm x 65mm OD  
2 x Swaged 32mm OD Fittings  
1 x Standard Radiator Neck  
1 x 8mm Overflow



OBPA020



OBPA020DM



OBPA028



OBPA022



**PUSH ON FITTING SPEC:**  
10mm RETURN  
10mm SIDE INLETS  
12.5mm BOTTOM OUTLET

**JIC / AN FITTING SPEC:**  
JIC6 BREATHER  
JIC6 SIDE INLETS  
JIC8 BOTTOM OUTLET

OBPJICS23



OBPJICS23DM



## // UNIVERSAL OIL CATCH TANKS

Alloy Catch Tanks are designed to collect oil and vapour from breather hoses where vehicles are under the stresses and strains of the road and track. The collection facility reduces unwanted elements from entering the intake and throttle body, optimising performance. All obp tanks ranging from Header Tanks to Fuel Tanks are QC tested before leaving the door!

### // UNIVERSAL NON BAFFLED ALUMINIUM OIL CATCH TANKS

Capacity (L)	DEPTH (mm)	WIDTH (mm)	HEIGHT (mm)	Fittings	PART NUMBER	Variant	RRP
1	65	105	180	1/2" Push On	OBPCT001		£55.06
1	65	105	180	1/2" Push On	OBPCT001DM	BLACK	£62.62
2	70	150	200	1/2" Push On	OBPCT002		£58.40
2	70	150	200	1/2" Push On	OBPCT002DM	BLACK	£65.08
0.5	90 DIA		90	1/2" Push On	OBPCT003		£49.50
0.5	90 DIA		90	1/2" Push On	OBPCT003DM	BLACK	£56.18
1	90 DIA		170	1/2" Push On	OBPCT004		£55.06
1	65	105	180	JIC10	OBPCTJIC01DM	BLACK	£65.08

### // UNIVERSAL BAFFLED ALUMINIUM OIL CATCH TANKS

Capacity (L)	DEPTH (mm)	WIDTH (mm)	HEIGHT (mm)	Fittings	PART NUMBER	Variant	RRP
1	65	105	180	1/2" Push On	OBPCT005		£61.74
2	70	150	200	1/2" Push On	OBPCT006		£64.52
0.5	90 DIA		90	1/2" Push On	OBPCT007		£55.62
1	90 DIA		170	1/2" Push On	OBPCT008		£61.18
1	90 DIA		170	15mm Push On Inlet / 22mm Breather	OBPCTSU02B	SUBARU NEW AGE	£75.97

### // UNIVERSAL RACE SPEC BAFFLED ALUMINIUM OIL CATCH TANKS

Capacity (L)	DEPTH (mm)	WIDTH (mm)	HEIGHT (mm)	Fittings	PART NUMBER	RRP
1.5	80	125	180	10mm Push On	OBPM01	£97.86
1.5	80	125	180	JIC6 Male	OBPM01J	£99.24
1.5	80	125	180	JIC6 Female	OBPM01JF	£99.68
2	80	145	205	1/2" Push On	OBPM02	£98.97
2	80	145	205	JIC6 Male	OBPM02J	£100.14
2	80	145	205	JIC8 Female	OBPM02JF	£101.04
3	90	170	230	1/2" Push On	OBPM03	£100.26
3	90	170	230	JIC10 Male	OBPM03J	£105.18
3	90	170	230	JIC10 Female	OBPM03JF	£105.18

## // BESPOKE ALUMINIUM TANKS

AS THE OBP PRODUCTS ARE MANUFACTURED IN OUR UK FACTORY, WE CAN CARRY OUT BESPOKE FABRICATION TO YOUR SPEC. SO IF YOU SEE SOMETHING THAT YOU WOULD LIKE TO ALTER, PLEASE GET IN TOUCH WITH OUR TEAM TO RECEIVE A QUOTATION!

WE CAN CARRY OUT 1 OFFS TO BATCH WORK SUITED TO YOUR REQUIREMENTS!

## CATCH TANKS

ALL 1L OIL CATCH TANKS COME WITH SIGHT TUBE INSTALLED!

DRAIN BUNG SIZE: M10X1.25



OBPCT001

OBPCT002DM



OBPCT003

OBPCTSU02B



OBPCTJIC01DM



OBPM01



OBPM02JF



OBPM03J



# ALLOY TANKS

## // WATER HEADER EXPANSION TANKS

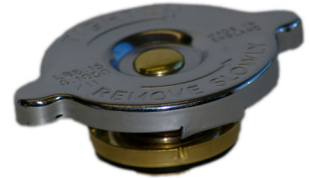
The Water Header Tank is used to eliminate unwanted air into the vehicles cooling system, achieving greater cooling efficiency. Made from aluminium, they are a strong and lightweight option for your car! These tanks will accept standard size radiator caps.

### // UNIVERSAL ALUMINIUM HEADER TANKS

Capacity (L)	DEPTH (mm)	WIDTH (mm)	HEIGHT (mm)	Fittings	PART NUMBER	Variant	RRP
1.5	100 DIA	200		10mm Inlet / 18mm Outlet	OBPHE001		£66.73
1.5	100 DIA	200		10mm Inlet / 18mm Outlet	OBPHE001DM	BLACK	£73.41
1.5	100 DIA		200	10mm Inlet / 18mm Outlet	OBPHE002		£66.73
1.5	100 DIA		200	10mm Inlet / 18mm Outlet	OBPHE002DM	BLACK	£73.41
1.5	100 DIA		200	10mm Inlet / 18mm Outlet	OBPHE005	SIGHT GAUGE	£77.13
3	150	150	150	10mm Push On	OBPHE004		£75.97
3	150	150	150	10mm Push On	OBPHE004DM	BLACK	£82.64

### // STANDARD RADIATOR PRESSURE CAPS

OBPPC001	13LBS RADIATOR CAP	£10.82
OBPPC002	16LBS RADIATOR CAP	£10.82
OBPPC003	16PSI RADIATOR CAP	£10.82
OBPPC004	20PSI RADIATOR CAP	£10.82



OBPHE001



OBPHE002DM



OBPHE004



OBPHE005



## // OIL DRY SUMP TANKS

Our Dry Sump Tanks incorporate an internal baffle system to prevent oil surge and starvation.

All tanks have JIC12 inlet and outlets,  
A 50mm screw cap &  
10mm push on breather.



## // POWER STEERING TANK

Our Power Steering Tanks come with our 50mm screw cap and hold 1.5L of fluid. JIC8 female fittings



Capacity (G)	DIA (mm)	HEIGHT (mm)	PART NUMBER	Variant	RRP
1	190	210	OBPDS01		£148.33
1	190	210	OBPDS01DM	BLACK	£155.10
1.5	190	270	OBPDS02		£155.44
2	190	356	OBPDS03		£162.44
2.5	190	410	OBPDS04		£169.46
3	190	468	OBPDS05		£175.30

Capacity (L)	DIA (mm)	HEIGHT (mm)	PART NUMBER	Variant	RRP
1.5	100	145	OBP-PS01		£91.13
1.5	100	145	OBP-PS01DM	BLACK	£98.64
1.5	100	145	OBP-PS02	W/BREATHER PIPE	£111.25
1.5	100	145	OBP-PS02DM	BLACK W/ BREATHER PIPE	£118.76

## // UNIVERSAL BAFFLED ALLOY FUEL TANKS

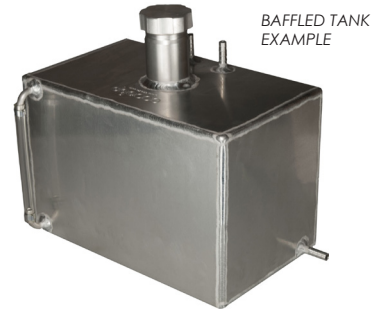
### STANDARD BAFFLED FUEL TANKS WITH PUSH ON FITTINGS

Our tanks are individually manufactured by hand in our UK factory before going through rigorous quality control procedures to ensure the finished product can withstand the harshest of motorsport environments. We have a variety of options available such as foam filled, sender holes, splash bowls etc.

#### // UNIVERSAL BAFFLED FUEL TANKS

10mm PUSH ON FITTINGS & 50mm SCREW CAP

Capacity (G)	HEIGHT (mm)	WIDTH (mm)	LENGTH (mm)	PART NUMBER	RRP
2	200	180	300	OBPFT001H	£121.30
3	200	200	340	OBPFT002	£155.16
6	150	300	600	OBPFT005	£180.41
8	250	300	480	OBPFT006	£206.73



#### // UNIVERSAL BAFFLED FUEL TANKS W/ 40MM SENDER HOLE

10mm PUSH ON FITTINGS & 50mm SCREW CAP

Capacity (G)	HEIGHT (mm)	WIDTH (mm)	LENGTH (mm)	PART NUMBER	RRP
8	250	300	480	OBPFTS03	£205.53



#### // UNIVERSAL BAFFLED FUEL TANKS W/SPLASH BOWL

10mm PUSH ON FITTINGS & 50mm SPLASH BOWL

Capacity (G)	HEIGHT (mm)	WIDTH (mm)	LENGTH (mm)	PART NUMBER	RRP
3	200	200	340	OBPFTSB002	£185.40
4	150	250	490	OBPFTSB003	£192.98
6	150	300	600	OBPFTSB005	£205.37
8	250	300	480	OBPFTSB006	£220.46

#### // UNIVERSAL BAFFLED FUEL TANKS W/SPLASH BOWL & 40MM SENDER HOLE

10mm PUSH ON FITTINGS & 50mm SPLASH BOWL

Capacity (G)	HEIGHT (mm)	WIDTH (mm)	LENGTH (mm)	PART NUMBER	RRP
4	150	250	490	OBPFTSSB01	£183.97
6	150	300	600	OBPFTSSB02	£205.37
8	250	300	480	OBPFTSSB03	£216.72

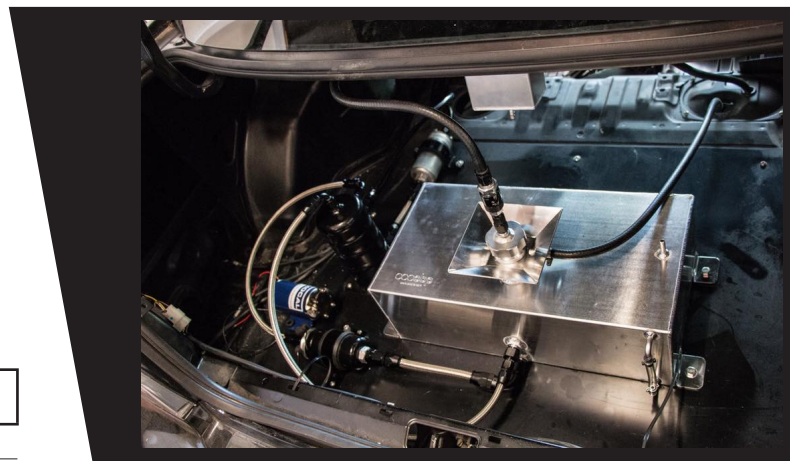


## // KIT CAR SPECIFIC FUEL TANKS

Alloy Kit Car Fuel Tanks with 10mm push on fittings and a 50mm plain filler neck. Base: 180mm wide x top 170mm wide x 205mm tall.



Capacity (L)	LENGTH (mm)	PART NUMBER	Variant	RRP
4.5	570	OBP0023		£147.50
5.5	685	OBP0022	W/ SENDER HOLE	£146.03



# ALLOY TANKS

## // UNIVERSAL BAFFLED ALLOY JIC FUEL TANKS STANDARD BAFFLED FUEL TANKS WITH JIC/AN FITTINGS

Our tanks are individually manufactured by hand in our UK factory before going through rigorous quality control procedures to ensure the finished product can withstand the harshest of motorsport environments. We have a variety of options available such as foam filled, sender holes, splash bowls etc.

### // UNIVERSAL BAFFLED JIC FUEL TANKS

JIC 10 FITTINGS & 50mm SCREW CAP

Capacity (G)	HEIGHT (mm)	WIDTH (mm)	LENGTH (mm)	PART NUMBER	RRP
2	200	180	300	OBPFTJIC001	£120.80
3	200	200	340	OBPFTJIC002	£157.24
6	150	300	600	OBPFTJIC005	£187.22
8	250	300	480	OBPFTJIC006	£208.80

### // UNIVERSAL BAFFLED JIC FUEL TANKS W/ 40MM SENDER HOLE

JIC 10 FITTINGS & 50mm SCREW CAP

Capacity (G)	HEIGHT (mm)	WIDTH (mm)	LENGTH (mm)	PART NUMBER	RRP
4	150	250	490	OBPFTSJIC01	£180.12
6	150	300	600	OBPFTSJIC02	£187.22
8	250	300	480	OBPFTSJIC03	£207.60

### // UNIVERSAL BAFFLED JIC FUEL TANKS W/SPLASH BOWL

JIC 10 PUSH ON FITTINGS & 50mm SPLASH BOWL

Capacity (G)	HEIGHT (mm)	WIDTH (mm)	LENGTH (mm)	PART NUMBER	RRP
3	200	200	340	OBPFTSBJIC002	£187.47
6	150	300	600	OBPFTSBJIC005	£212.18
8	250	300	480	OBPFTSBJIC006	£223.53

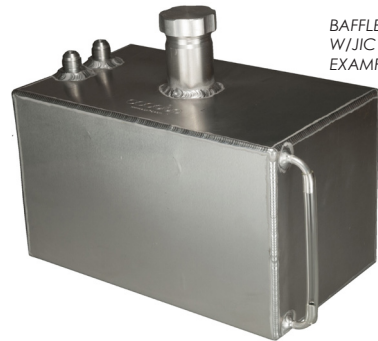
### // UNIVERSAL BAFFLED JIC FUEL TANKS W/SPLASH BOWL & 40MM SENDER HOLE

JIC 10 FITTINGS & 50mm SPLASH BOWL

Capacity (G)	HEIGHT (mm)	WIDTH (mm)	LENGTH (mm)	PART NUMBER	RRP
6	150	300	600	OBPFTSSBJIC02	£212.18
8	250	300	480	OBPFTSSBJIC03	£223.53



BAFFLED TANK W/ SPLASH BOWL & JIC FITTINGS EXAMPLE



BAFFLED TANK W/JIC FITTINGS EXAMPLE



BAFFLED TANK W/ SENDER HOLE, SPLASH BOWL & JIC FITTINGS EXAMPLE

### // FIA COMPLIANT FUEL TANK FOAM

- OBPFOAM3 (PETROL 10L - 22X22X21CM) £33.37
- OBPFOAM4 (DIESEL/WATER 10L - 22X22X21CM) £33.37
- OBPFOAM5 (PETROL 1L - 10X10X10CM) £4.45
- OBPFOAM6 (DIESEL/WATER 1L - 10X10X10CM) £4.45



### // 6 HOLE UNIVERSAL FUEL SENDER

OBPCB014 £40.85



### // HIGH PERFORMANCE 044-300L FUEL PUMP

PRODUCES UP TO 270LPH AND CONSTANT FLOW UP TO 500BHP.

INLET: M10X1.5  
OUTLET: M12X1.5

OBFPF300B  
£76.27



REQUIRE A VDO  
DIP TYPE FUEL  
SENDER INSTEAD?  
  
CONTACT US FOR  
MORE INFORMATION!

UNIVERSAL ALLOY TANK STRAPS  
OBP-STR-001 (1250X30MM)

£12.48



# // UNIVERSAL BAFFLED & FOAM FILLED ALLOY FUEL TANKS

## UNIVERSAL FOAM FILLED\* FUEL TANKS

# ALLOY TANKS

Our tanks are individually manufactured by hand in our UK factory before going through rigorous quality control procedures to ensure the finished product can withstand the harshest of motorsport environments. These Fuel Tanks come with FIA Compliant foam already installed.

**\*FILLED WITH YELLOW FOAM FOR PETROL. PLEASE CONTACT US IF REQUIRE BLUE DIESEL/WATER FOAM. FOAM FILLED TANKS ARE MADE TO ORDER 1-2 WEEKS.**

### // UNIVERSAL FOAM FILLED TANKS

10mm PUSH ON FITTINGS & 50mm SCREW CAP

Capacity (G)	HEIGHT (mm)	WIDTH (mm)	LENGTH (mm)	PART NUMBER	RRP
3	200	200	340	OBPFT011	£196.10
6	150	300	600	OBPFT014	£257.67
8	250	300	480	OBPFT015	£315.91

### // UNIVERSAL FOAM FILLED TANKS (JIC FITTINGS)

JIC10 FITTINGS & 50mm SCREW CAP

Capacity (G)	HEIGHT (mm)	WIDTH (mm)	LENGTH (mm)	PART NUMBER	RRP
3	200	200	340	OBPFTJIC011	£198.17
6	150	300	600	OBPFTJIC014	£263.24
8	250	300	480	OBPFTJIC015	£318.00

### // UNIVERSAL FOAM FILLED TANKS W/ SPLASH BOWL

10mm PUSH ON FITTINGS & 50mm SPLASH BOWL

Capacity (G)	HEIGHT (mm)	WIDTH (mm)	LENGTH (mm)	PART NUMBER	RRP
3	200	200	340	OBPFTSB011	£226.31
6	150	300	600	OBPFTSB014	£273.20
8	250	300	480	OBPFTSB015	£329.63

### // UNIVERSAL FOAM FILLED TANKS (JIC FITTINGS) W/ SPLASH BOWL

JIC10 FITTINGS & 50mm SPLASH BOWL

Capacity (G)	HEIGHT (mm)	WIDTH (mm)	LENGTH (mm)	PART NUMBER	RRP
3	200	200	340	OBPFTSBJIC011	£231.42
6	150	300	600	OBPFTSBJIC014	£288.20
8	250	300	480	OBPFTSBJIC015	£331.70

## // ALUMINIUM SELF WELD FITTINGS

VARIOUS STYLE FITTINGS AVAILABLE FOR YOUR ALUMINIUM TANK SYSTEM. FROM RIBBED FITTINGS TO RADIATOR NECKS.

### 1 // RIBBED PUSH ON FITTINGS

OBRIB01	7.9mm OD x 66mm Straight	£0.46
OBRIB02	9.8mm OD x 35mm Straight	£0.41
OBRIB03	7.9mm OD x 36 x 39mm 90deg	£0.50
OBRIB04	12.5mm OD x 35mm Straight	£0.46
OBRIB05	12.5mm OD x 81 x 32mm 90deg	£0.73
OBRIB06	9.8mm OD x 66mm Straight	£0.50
OBRIB07	9.8mm OD x 60 x 35mm 90deg	£0.65
OBRIB08	19mm OD x 45mm Straight	£0.65
OBRIB09	9.5mm OD x 60 x 40mm 90deg	£0.65
OBRIB10	15.8mm OD x 40mm Straight	£0.78
OBRIB11	15.8mm OD x 50mm Straight	£0.78
OBRIB12	22mm OD x 50mm Straight	£0.95

### // FEMALE NPT FITTINGS

OBNPT01-F	1/4" NPT	£1.72
OBNPT02-F	3/8" NPT	£1.95
OBNPT03-F	1/2" NPT	£2.18
OBNPT04-F	3/4" NPT	£4.24
OBNPT05-F	1" NPT	£4.93

### 5 // SELF WELD SCREW CAPS & SPLASH BOWLS

OBPCAP01	40mm OD SCREW CAP ONLY	£8.02
OBPCAP02	50mm OD SCREW CAP ONLY	£12.60
OBPSB01	40mm OD SPLASH BOWL	£29.79
OBPSB02	50mm OD SPLASH BOWL	£33.09

### 6 // RADIATOR FILLER NECKS (STANDARD SIZE)

OBPFN001	PRESSED NECK W/8mm OVERFLOW	£6.87
OBPFN003	CNC NECK W/8mm OVERFLOW	£13.35

### 7 // FUEL SENDER MOUNTING FLANGE

OBPO27	6 HOLE MOUNTING FLANGE M5	£13.99
OBPO26	5 HOLE VDO TYPE FLANGE M5	£13.99

### 2 // MALE JIC/AN FITTINGS

OBPJ03	JIC3 (3/8 x 24UNF)	£0.91
OBPJ04	JIC4 (7/16 x 20UNF)	£1.15
OBPJ06	JIC6 (9/16 x 18UNF)	£1.38
OBPJ08	JIC8 (3/4 x 16UNF)	£1.72
OBPJ10	JIC10 (7/8 x 14UNF)	£2.06
OBPJ12	JIC12 (1 1/16 x 12UNF)	£2.40
OBPJ16	JIC16 (1 5/16 x 12UNF)	£3.89

### 3 // MALE JIC/AN EXTENDED FITTINGS

OBPJE04	JIC4 (7/16 x 20UNF)	£2.18
OBPJE06	JIC6 (9/16 x 18UNF)	£3.20
OBPJE08	JIC8 (3/4 x 16UNF)	£4.24
OBPJE10	JIC10 (7/8 x 14UNF)	£5.16
OBPJE12	JIC12 (1 1/16 x 12UNF)	£6.13
OBPJE16	JIC16 (1 5/16 x 12UNF)	£8.25

### 4 // FEMALE JIC/AN FITTINGS

OBPJIC04-F	JIC4 (7/16 x 20UNF)	£1.15
OBPJIC06-F	JIC6 (9/16 x 18UNF)	£1.84
OBPJIC08-F	JIC8 (3/4 x 16UNF)	£2.18
OBPJIC10-F	JIC10 (7/8 x 14UNF)	£2.40
OBPJIC12-F	JIC12 (1 1/16 x 12UNF)	£4.35
OBPJIC16-F	JIC16 (1 5/16 x 12UNF)	£5.38
OBPJIC20-F	JIC20 (1 5/8 x 12UNF)	£8.25

### // FEMALE BSP FITTINGS

OBPBSP-01F	1/4" BSP	£1.60
OBPBSP-02F	3/8" BSP	£1.89
OBPBSP-03F	1/2" BSP	£2.18
OBPBSP-04F	5/8" BSP	£2.40



# FUEL LINES

## // CPE LINED STAINLESS STEEL HOSE & FITTINGS - FOR FAST ROAD & MOTORSPORT

Designed for motorsport and fast road use, the CPE is perhaps the most widely used range of lines and fittings. The CPE hose is a true double braided stainless hose that uses the highest quality stainless wire available.

The hose is constructed with a Stainless Steel outer braid resisting abrasion and corrosion.

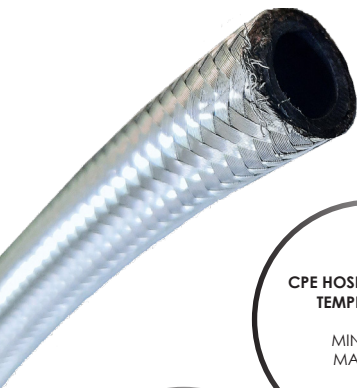
Combined with a reinforced CPE synthetic inner rubber lining with a Nylon Inner braid. The hose is compatible with all synthetic lubricants, oils, fuels and coolants (including methonal and nitromethane).

**When locating fuel or oil lines inside any vehicle cabin, we recommend using the PTFE hose & fittings range which is produced with PTFE inner lining.**

The lightweight aluminium fittings are precisely engineered for reliability and optimum flow and are available in various sizes to cover the Performance market needs. All the fittings are reusable and exceptionally versatile thanks to the dual swivel design allowing a multitude of angles.

## APPLICATIONS

FUEL / OIL / COOLANTS / ENGINE VAPOURS / WATER & METHONAL  
 FUEL SYSTEMS / DRY SUMP SYSTEMS / OIL BREATHER SYSTEMS / OIL FEED LINES / CATCH TANK LINES & WATER LINES



### // CPE ST/ST HOSE (PER 1000MM)

OBP-CPE-H6	AN6 HOSE	£8.46
OBP-CPE-H8	AN8 HOSE	£9.45
OBP-CPE-H10	AN10 HOSE	£10.44
OBP-CPE-H12	AN12 HOSE	£11.70

### CPE HOSE OPERATING TEMPERATURES

MIN: -40°C  
 MAX: 150°

### CPE HOSE WORKING PRESSURE

AN6 - 1000 PSI  
 AN8 - 1000 PSI  
 AN10 - 1000 PSI  
 AN12 - 1000 PSI



### // STRAIGHT FITTING FOR CPE HOSE (BLACK)

OBP-CPE-6-S	AN6 THREAD	£5.01
OBP-CPE-8-S	AN8 THREAD	£5.52
OBP-CPE-10-S	AN10 THREAD	£7.20
OBP-CPE-12-S	AN12 THREAD	£7.80

### 2 // 45° FITTING FOR CPE HOSE (BLACK)

OBPCPE-6-45	AN6 THREAD	£8.50
OBPCPE-8-45	AN8 THREAD	£10.40
OBPCPE-10-45	AN10 THREAD	£12.66
OBPCPE-12-45	AN12 THREAD	£14.88

### 1 // 90° FITTING FOR CPE HOSE (BLACK)

OBP-CPE-6-90	AN6 THREAD	£8.25
OBP-CPE-8-90	AN8 THREAD	£11.40
OBP-CPE-10-90	AN10 THREAD	£12.39
OBP-CPE-12-90	AN12 THREAD	£14.88

### // 180° FITTING FOR CPE HOSE (BLACK)

OBP-CPE-6-180	AN6 THREAD	£9.20
OBP-CPE-8-180	AN8 THREAD	£13.89
OBP-CPE-10-180	AN10 THREAD	£14.88
OBP-CPE-12-180	AN12 THREAD	£16.38

## // FUEL LINE ACCESSORIES



### // BULKHEAD TEE ADAPTOR

OBP-TEE-6	AN6 TEE	£6.50
OBP-TEE-8	AN8 TEE	£8.73
OBP-TEE-10	AN10 TEE	£13.98
OBP-TEE-12	AN12 TEE	£18.21

### // BULKHEAD 90° ADAPTOR

OBP-90A-6	AN6 90°	£5.61
OBP-90A-8	AN8 90°	£7.74
OBP-90A-10	AN10 90°	£12.72
OBP-90A-12	AN12 90°	£16.98

### // BULKHEAD LOCKING NUT

OBP-BHN-6	AN6 NUT	£1.50
OBP-BHN-8	AN8 NUT	£1.80
OBP-BHN-10	AN10 NUT	£2.70
OBP-BHN-12	AN12 NUT	£3.00

### // BULKHEAD STRAIGHT ADAPTOR

OBP-BAS-6	AN6	£3.90
OBP-BAS-8	AN8	£3.90
OBP-BAS-10	AN10	£4.86
OBP-BAS-12	AN12	£8.94



## // PTFE LINE STAINLESS STEEL HOSE & FITTINGS - VAPOUR FREE

The PTFE hose is a more extreme version of the CPE hose and most suited to the motorsport industry. Offering increased operating temperatures, further weight saving benefits and a PTFE, smooth bore inner lining on the hoses.

The hose is supported using the same stainless steel outer braid found in the CPE hose, but is further improved by containing a PTFE inner lining as opposed to rubber. By doing so, this introduces multiple advances when compared to the traditional rubber lining and can transfer any type of fluid whilst working within a broad range of temperature changes. PTFE also offers the unique advantage of being vapour free, making it perfect for use inside the cabin.

## APPLICATIONS

FUEL / OIL / COOLANTS / ENGINE VAPOURS / WATER & METHONAL  
 FUEL SYSTEMS / DRY SUMP SYSTEMS / OIL BREATHER SYSTEMS / OIL FEED LINES / CATCH TANK LINES & WATER LINES



### 1 // STRAIGHT FITTING FOR PTFE HOSE (BLACK)

OBP-PTFE-6-S	AN6 THREAD	£5.43
OBP-PTFE-8-S	AN8 THREAD	£6.15
OBP-PTFE-10-S	AN10 THREAD	£7.44
OBP-PTFE-12-S	AN12 THREAD	£11.16

### // 45° FITTING FOR PTFE HOSE (BLACK)

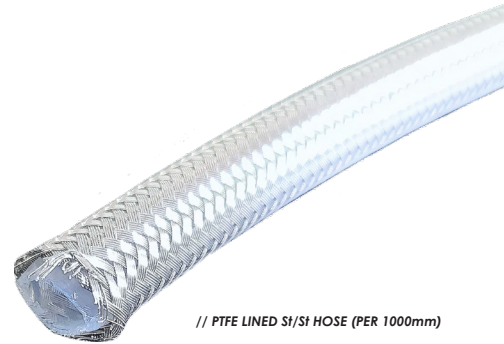
OBP-PTFE-6-45	AN6 THREAD	£11.91
OBP-PTFE-8-45	AN8 THREAD	£12.10
OBP-PTFE-10-45	AN10 THREAD	£14.40
OBP-PTFE-12-45	AN12 THREAD	£16.89

### // 90° FITTING FOR PTFE HOSE (BLACK)

OBP-PTFE-6-90	AN6 THREAD	£11.67
OBP-PTFE-8-90	AN8 THREAD	£13.17
OBP-PTFE-10-90	AN10 THREAD	£13.89
OBP-PTFE-12-90	AN12 THREAD	£16.89

### 2 // 180° FITTING FOR PTFE HOSE (BLACK)

OBP-PTFE-6-180	AN6 THREAD	£10.80
OBP-PTFE-8-180	AN8 THREAD	£11.90
OBP-PTFE-10-180	AN10 THREAD	£13.00
OBP-PTFE-12-180	AN12 THREAD	£17.61



### // PTFE LINED ST/ST HOSE (PER 1000mm)

OBP-PTFE-H6	AN6 HOSE	£8.46
OBP-PTFE-H8	AN8 HOSE	£9.93
OBP-PTFE-H10	AN10 HOSE	£12.18
OBP-PTFE-H12	AN12 HOSE	£13.41

### PTFE HOSE OPERATING TEMPERATURES

MIN: -70°C  
 MAX: 250°

### PTFE HOSE WORKING PRESSURE

AN6 - 3000 PSI  
 AN8 - 2500 PSI  
 AN10 - 2000 PSI  
 AN12 - 1000 PSI

## // PUSH LOCK HOSE FITTINGS



### 1 // STRAIGHT PUSH LOCK FITTING (BLACK)

OBP-PL-6-S	AN6 THREAD	£4.83
OBP-PL-8-S	AN8 THREAD	£5.58
OBP-PL-10-S	AN10 THREAD	£6.09
OBP-PL-12-S	AN12 THREAD	£6.45

### // 45° PUSH LOCK FITTING (BLACK)

OBP-PL-6-45	AN6 THREAD	£8.00
OBP-PL-8-45	AN8 THREAD	£9.25
OBP-PL-10-45	AN10 THREAD	£12.39
OBP-PL-12-45	AN12 THREAD	£13.14

### 2 // 90° PUSH LOCK FITTING (BLACK)

OBP-PL-6-90	AN6 THREAD	£9.69
OBP-PL-8-90	AN8 THREAD	£10.92
OBP-PL-10-90	AN10 THREAD	£11.91
OBP-PL-12-90	AN12 THREAD	£13.14

### // 180° PUSH LOCK FITTING (BLACK)

OBP-PL-6-180	AN6 THREAD	£11.16
OBP-PL-8-180	AN8 THREAD	£11.91
OBP-PL-10-180	AN10 THREAD	£13.38
OBP-PL-12-180	AN12 THREAD	£14.88



## COMING SOON!

During 2023, we will be adding further fuel line fittings & adaptors to our range including:

- > AN3 / AN4 Hose & Fitting
- > AN Reducers

## // OIL COOLER ORB FITTINGS



### // SINGLE M22 MALE ADAPTORS

OBP-6-M22	JIC6 Male	£7.63
OBP-8-M22	JIC8 Male	£8.59
OBP-10-M22	JIC10 Male	£9.88
OBP-12-M22	JIC12 Male	£19.31
OBP-16-M22	JIC16 Male	£22.86

## // UNIVERSAL FOOTRESTS

Our range of Aluminium, Carbon & GRP Footrests suitable for your car. These are designed to offer a light-weight support for either the driver or co-driver to have a more comfortable ride.

### // UNIVERSAL ALUMINIUM FOOTRESTS

#### // ALUMINIUM UNIVERSAL FOOTRESTS

1	OBP0339	M/CYL COVER PLATE - SILVER	£38.95
1	OBP0339DM	M/CYL COVER PLATE - BLACK	£46.41
2	OBP0400	FOOTREST - SILVER	£18.15
2	OBP0400DM	FOOTREST - BLACK	£24.83
3	OBPA040	SMALL NAVIGATORS FOOTREST - SILVER	£45.11
3	OBPA040DM	SMALL NAVIGATORS FOOTREST - BLACK	£52.41
4	OBPA041	LARGE NAVIGATORS FOOTREST - SILVER	£59.27
4	OBPA041DM	LARGE NAVIGATORS FOOTREST - BLACK	£65.94
5	OBPA042	DRIVERS CLUTCH FOOTREST - SILVER	£13.62
5	OBPA042DM	DRIVERS CLUTCH FOOTREST - BLACK	£20.29
6	OBPA043	DRIVERS FOOTREST FLAT - SILVER	£17.02
6	OBPA043DM	DRIVERS FOOTREST FLAT - BLACK	£23.69

1 D: 300mm  
W: 270mm



4 H: 220mm  
D: 410mm  
W: 360mm



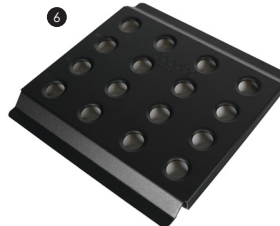
3 H: 180mm  
D: 150mm  
W: 270mm



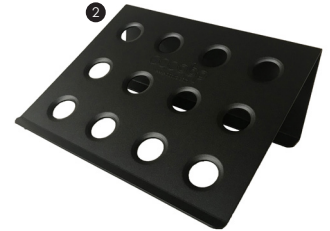
5 H: 220mm  
D: 100mm  
W: 75mm



6



2



### // UNIVERSAL CARBON & GRP FOOTRESTS

#### // CARBON UNIVERSAL FOOTRESTS

1	OBPCF001	CO DRIVERS CARBON FOOTREST	£183.97
	OBPCF002	DRIVERS CARBON FOOTREST	£153.18

#### // GRP UNIVERSAL FOOTRESTS

	OBPCF001GRP	CO DRIVERS GRP FOOTREST	£126.15
2	OBPCF002GRP	DRIVERS GRP FOOTREST	£99.11

2 D: 440mm  
W: 405mm



1 H: 180mm  
D: 470mm  
W: 345mm



**// UNIVERSAL AIR INTAKE ROOF VENTS**

Our intake Roof Vents offer an aerodynamic and sleek design, fitting flush to the roof of your car giving the driver & co-driver the added benefit of fresh air in hot conditions whilst also keeping unwanted elements such as dust and dirt out of the cockpit.



**// CARBON & GRP UNIVERSAL AIR VENTS**  
 1 OBPGRPV01 GRP £195.23  
 2 OBPCV01 CARBON £300.35

**// TOP MOUNTS**

Competition Top Mounts made from T6061 Aluminium using PTFE lined spherical Carbon Steel bearings.



**// COMPETITION TOP MOUNTS**  
 1 OBPTM001F FORD CAPRI/ ESCORT MK1 & MK2 FRONT CAMBER ADJUSTABLE (PAIR) £140.40  
 2 OBPTM36F BMW E36 FRONT 2 PIECE CAMBER ADJUSTABLE (PAIR) £177.50  
 3 OBPTM205F PEUGEOT 205 FRONT 1 PC CAMBER ADJUSTABLE (PAIR) £140.40  
 4 OBPTM182F RENAULT CLIO 182 FRONT - 2 PC THREADED CAMBER FIXED (PAIR) £142.88

**// COMPETITION TOP MOUNTS INSERTS**  
 OBPTMIS10 10MM INSERT (SET OF 4) £3.78  
 OBPTMIS12 12MM INSERT (SET OF 4) £3.78  
 OBPTMIS14 14MM INSERT (SET OF 4) £3.78

**// UNIVERSAL SEAT BRACKETS**

**// UNIVERSAL SEAT BRACKETS - 3MM MILD STEEL**  
 OBPSM733 LOW MODEL SEAT BRACKETS (PAIR) £35.16



## // BATTERY BRACKETS

SELECTION OF 2MM BATTERY BRACKETS SUITABLE FOR VARIOUS RED TOP AND ODYSSEY BATTERIES

OBP0A84

### // 2mm ALUMINIUM RED TOP & ODYSSEY BATTERY BRACKETS

OBP0075	RED TOP 15 BRACKET	£28.78
OBP0076	RED TOP 20 BRACKET	£22.20
OBP0077	RED TOP 30 BRACKET	£33.67
OBP0078	RED TOP 40 BRACKET	£32.40
OBP0079	ODYSSEY PC545, RACING 20	£22.20
OBP0079DM	ODYSSEY PC545, RACING 20 (BLACK)	£28.88
OBP0A80	ODYSSEY PC680, RACING 25	£29.73
OBP0A80DM	ODYSSEY PC680, RACING 25 (BLACK)	£37.24
OBP0A81	ODYSSEY PC310, RACING 8	£29.35
OBP0A83	ODYSSEY PC625, RACING 22	£27.75
OBP0A84	ODYSSEY PC925, RACING 35	£34.27
OBP0A86	ODYSSEY MX150, RACING 30	£33.67
OBP0A87	ODYSSEY MX200, RACING 40	£32.40

OBP0079DM



OBP0A80

### // 2mm ALUMINIUM BATTERY BOX / TRAY

OBP0B70	BATTERY TRAY: 260X175mm LONG, 175mm TALL	£61.94
OBP0B72	BATTERY BOX: 200X305mm LONG, 205mm TALL	£73.59

OBP0B70



OBP0B72



## // PIT EQUIPMENT

Kit your pit garage with obp motorsport. Our range of handcrafted Pit Equipment makes sure you are covered no matter how tense the garage gets. From Sill Stands to Ramps, we have applied the same british design and manufacture from its world renowned pedal systems.

### // PIT BOARDS & NUMBERS

1	OBPBNO	ORANGE PIT NUMBERS	£36.71
	OBPBNY	YELLOW PIT NUMBERS	£31.15

### // RALLY SILL STANDS

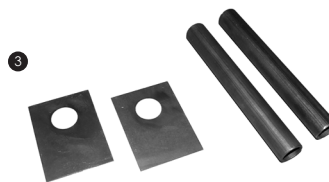
2	OBPWSS01	SILL STANDS PAIR	£140.47
3	OBPWSS02	SILL STRENGTHING KIT	£20.62

### // RALLY RAMPS

WRC spec Wheel Ramps w/ checker plate top. They have a carry hole at the back and stackable. Specifically designed for Low riding vehicles.

#### 4 1030MM LONG X 225MM WIDE, 140MM TALL (120MM IN DIP)

OBP0500	PAIR OF RALLY RAMPS	£262.10
---------	---------------------	---------



## // PRECISION UK FABRICATION

Since 2007, obp Motorsport has been successfully working with Automotive and Motorsport companies from around the world. We are dedicated to solving design issues, developing products and manufacturing components to our clients exact specifications.

Services we are able to carry out include:

- Design & Product Creation
- CAD Design Services
- 3D Printing
- General Sheet Metal Fabrication
- CNC Folding
- CNC Machining
- Laser Welding
- Fluid Transfer Solutions
- Braided Brake Lines



We have been working along side many clients from around the world including VUHL, MINI Challenge UK, FERRARI, GTL, Westfield Sports Cars and many more.

For more information, please contact us!



## // DISCLAIMER OF WARRANTY

Purchasers understand and recognise that racing parts and equipment, such as pedal boxes, master cylinders, hydraulic handbrakes, swirl pots, catch tanks etc. and all parts, inventory and services manufactured and/or sold by Optimum Balance Products Ltd (obp Ltd) are exposed to many and varied conditions due to the manner in which they are installed and used. Purchasers and obp Ltd consciously desire to make their own bargain, irrespective of any court decision and purchasers agree upon good faith and in consideration for being allowed to purchase from obp Ltd does not make any affirmation of fact or promise to purchase which relates to said parts, inventory or services, that becomes part of the basis of the bargain between obp Ltd and purchasers. Nor does obp Ltd make, or cause to be made to purchaser any description of the goods sold to purchaser nor does obp Ltd make, or cause to be made, as part of the basis of the bargain with purchasers any description of affirmation of fact concerning any sample or model of racing parts, and equipment inventory or service.

As further consideration for purchasers using obp Ltd racing parts and equipment any and all inventory and services, purchasers acknowledge that due to the differing conditions and circumstances under which all equipment and parts installed and used, purchasers are not relying on obp Ltd skill or judgment to select or furnish the proper part or equipment. Purchasers expressly affirm they are relying upon their own skill and judgement to select and purchase suitable goods.

obp Ltd makes no warranties whatsoever, expressed or implied, oral or written, to purchasers. There is no warranty of merchantability made to purchasers. obp Ltd further excludes any implied warranty of fitness with respect to racing and equipment, any and all inventory, and service.

It is expressly understood and agreed between purchasers and obp Ltd that as part of the bargain between obp Ltd and purchasers, and in consideration of doing business with each other, all purchases take, select and purchase said racing parts, equipment any and all inventory, or services from obp Ltd "as is" and "with all faults" and obp Ltd shall always provide purchasers with a full and complete opportunity to examine, at purchasers leisure and convenience, any racing parts, and equipment, any and all inventory, or services when purchasing or contemplating purchasing from obp Ltd.

If, and in the event that purchasers expressly or impliedly cause representations, or statements or affirmations of fact contrary to this disclaimer of all warranties, expressed or implied, then purchasers agree to indemnify and hold harmless obp Ltd in the event of any claim, demand or legal action against obp Ltd by any purchaser.

Purchasers understand and agree that no officer, director, employee or salesperson of obp Ltd has any authority to make any statement contrary to the terms of this agreement. On the contrary obp Ltd disavows any statement contrary to what is herein written above.

obp Ltd is constantly seeking ways to improve specification, design and production of its parts and alterations take place continually. Whilst every care is made to produce up to date literature, photographs within this catalogue are for guidance only, products contained within these photographs may be subject to change without prior notice, therefore this catalogue should not be regarded as an infallible guide to current specifications and/ or prices, nor does it constitute an offer for the sale of any particular item. Therefore, prices may be changed without prior notification to the purchaser and/or their agent.

Any reference in this catalogue to speed and performance, should not be taken as an encouragement to drive either dangerously or at speeds in excess of the national speed limit.

FOR FULL T&C'S PLEASE VISIT OUR WEBSITE: [WWW.OBPLTD.COM](http://WWW.OBPLTD.COM)

**// WORLD RENOWNED - WHERE TO BUY AUTHORISED OBP PRODUCTS!**

obp Motorsport products can be found in many parts of the world! These countries include:

- |                |             |             |              |
|----------------|-------------|-------------|--------------|
| Australia      | France      | New Zealand | South Africa |
| Austria        | Germany     | Norway      | Spain        |
| Czech Republic | Hungary     | Phillipines | Sweden       |
| Denmark        | Italy       | Poland      | UAE          |
| Estonia        | Ireland     | Portugal    | UK           |
| Finland        | Netherlands | Slovakia    | USA          |

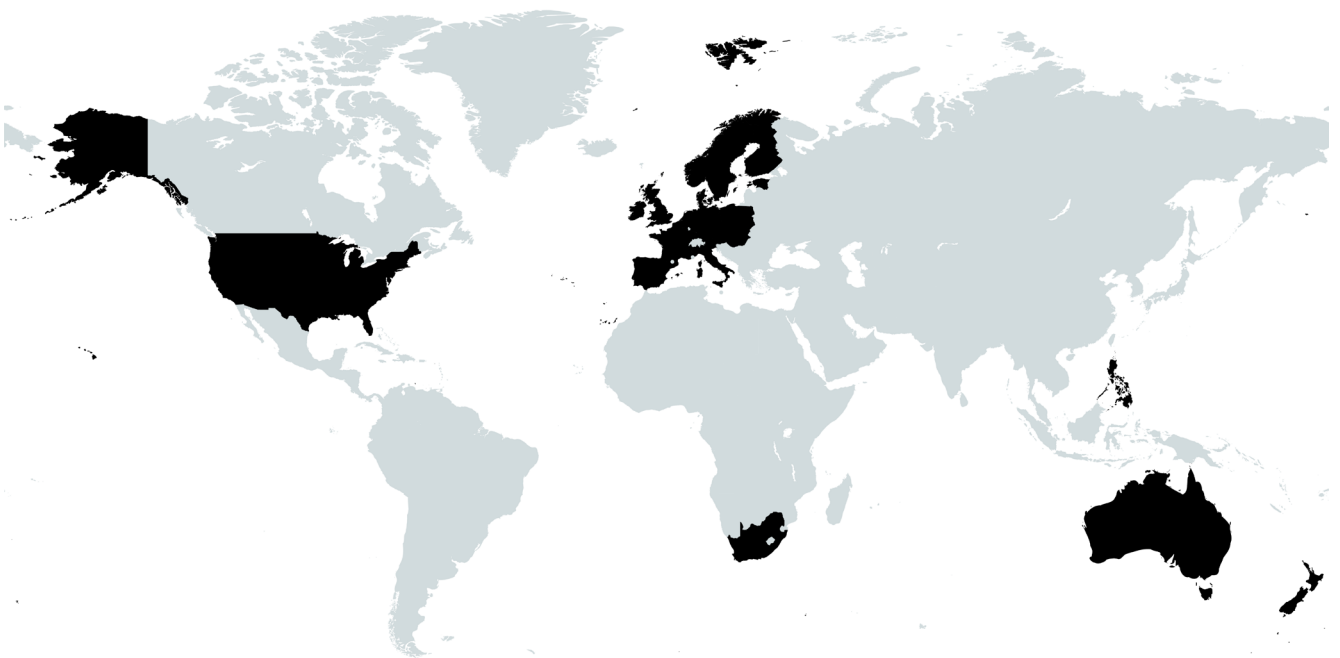
Visit our website or contact us to find your closest dealer!

**// CONTACT DETAILS**

- SALES: [sales@obpltd.com](mailto:sales@obpltd.com)
- BESPOKE: [bespoke@obpltd.com](mailto:bespoke@obpltd.com)
- ACCOUNTS: [accounts@obpltd.com](mailto:accounts@obpltd.com)
- TEL: +44 (0) 1487 812301

**Opening Hours**

- Monday to Friday  
8.30am to 17.00pm
- Bank Holiday Hours may vary.



## **obp Motorsport**

Longlands Lakes, Uggmere Court Road  
Ramsey Heights, Nr Peterborough PE26 2RQ

Tel: **+44 (0)1487 812 301** Email: **sales@obpltd.com**

**www.obpltd.com**

 **obpMotorsport**  **obpmotorsport**