



Part Number Legend

<u>Prefix Number</u>	<u>Description</u>
12-	Selected Standard Cover Assembly
20-	Selected Standard Drive Plate
30-	Performance Organic Clutch Kit
35-	Performance Organic Clutch Kit inc. Single
40-	Release Bearing
41-	Concentric Slave Cylinder / Release Bearing
60-	Performance Group 'N' Cover Assembly
70-	Upated Organic Sprung Drive Plate
71-	Upated Organic Rigid Drive Plate
76-	Cermetallic Paddle Sprung Drive Plate
77-	Cermetallic Paddle Sprung Drive Plate
78-	Cermetallic Paddle Rigid Drive Plate
80-	Performance Twin Plate Cover & Interplate Assembly
90-	Performance Cermetallic Paddle Sprung Clutch Kit
91-	Performance Cermetallic Paddle Rigid Clutch Kit
95-	Performance Cermetallic Paddle Sprung Clutch Kit inc. Single Mass Flywheel



HEAVY DUTY COVER ASSEMBLY - *Series Part No 60-0000*

The Helix clutch is intended for applications where the engine / vehicle performance has been increased above standard. All Helix clutches are manufactured from new components to the highest standards using the best materials available, these clutch cover applications can range from pressed steel shells to high grade aluminium; they are designed to give a higher torque capacity together with an increase engine rpm. The units can be fitted as a direct replacement for the standard unit without modification to the flywheel and retaining the standard clutch release mechanism. There are a few exceptions and these are identified in the catalogue.

DRIVE PLATE ORGANIC SPRUNG CENTRE - *Series Part No 70-0000*

This type of drive plate is suitable for road use and light competition work. The design features damper springs arranged radially around the hub centre which together with facing segments provides progressive engagement and greater degree of clutch control. The organic facing material used is the best high performance material available with facings over 200mm diameter being metal backed to give much higher burst strength.

DRIVE PLATE ORGANIC RIGID CENTRE - *Series Part No 71-0000*

The rigid type of drive plate is not fitted with any form of damper cushioning and is specifically designed for more arduous conditions where the degree of comfort / refinement is second to durability and strength. Again only the best high performance organic friction facing material is used.

DRIVE PLATE CERAMETALLIC SPRUNG CENTRE - *Series Part No 76/77-0000*

This type of drive plate is more suitable for high energy competition applications like rallying although it can be used for road use where the organic drive plate cannot withstand the higher operating temperatures. The design incorporates a sprung centre to provide some protection against drive line shock.

DRIVE PLATE CERAMETALLIC RIGID CENTRE - *Series Part No 78-0000*

The rigid cerametallic drive plate has no form of damper or segment cushioning and is designed primarily for the most arduous of working conditions where strength and durability are paramount with the heat resistant properties of the cerametallic friction pads.



Performance Twin Plate Cover & Interplate Assembly

Series Part No 80-0000

The 80 series is a bespoke road twin plate clutch application. This clutch has been designed to double the torque capacity compared to the 60 series, and additionally produces the same release pressure. This application can be used in performance road cars.

SPRUNG ORGANIC THREE PIECE CLUTCH KITS

Series Part No 30-0000

These kits include a cover, a sprung organic faced drive plate and a release bearing.

SPRUNG ORGANIC FOUR PIECE CLUTCH KIT

Series Part No 35-0000

These kits include a cover, a sprung organic faced drive plate, a release bearing and a steel flywheel.

SPRUNG CERAMETALLIC THREE PIECE CLUTCH KIT

Series Part No 90-0000

These kits include a cover, a cerametallic faced paddle drive plate and release bearing.

RIGID CERAMETALLIC THREE PIECE CLUTCH KIT

Series Part No 91-0000

These kits include a cover, a rigid organic faced drive plate and a release bearing.

SPRUNG CERAMETALLIC FOUR PIECE CLUTCH KIT

Series Part No 95-0000

These kits include a cover, a sprung cerametallic paddle drive plate, a release bearing and a steel flywheel.



HEAVY DUTY COVER ASSEMBLY

Series Part No 60-0000



DRIVE PLATE ORGANIC SPRUNG CENTRE

Series Part No 70-0000



DRIVE PLATE ORGANIC RIGID CENTRE

Series Part No 71-0000



DRIVE PLATE CERAMETALLIC SPRUNG CENTRE

Series Part No 76-0000



DRIVE PLATE CERAMETALLIC RIGID CENTRE

Series Part No 78-0000





**TWIN PLATE SPRUNG ORGANIC INTERPLATE
& COVER ASSEMBLY**
Series Part No 80-0000



**TWIN PLATE SPRUNG PADDLE INTERPLATE &
COVER ASSEMBLY**
Series Part No 80-0000



SPRUNG ORGANIC THREE PIECE CLUTCH KITS
Series Part No 30-0000



SPRUNG ORGANIC FOUR PIECE CLUTCH KIT
Series Part No 35-0000



**SPRUNG CERAMETALLIC THREE PIECE CLUTCH
KIT**
Series Part No 90-0000



**RIGID CERAMETALLIC THREE PIECE CLUTCH
KIT**
Series Part No 91-0000





SPRUNG CERAMETALLIC FOUR PIECE CLUTCH KIT

Series Part No 95-0000



Vehicle	Year	Application		Ø	Cover	Plate	Bearing	Spline
ALFA ROMEO								
Alfa Sub 1.3 & 1.5	1978-84	Road	N	200	12-2339	76-2340	40-2341	20.4 x 24T
Alfa 33 1.3ltr	1990-94	Road	N	200	60-2339	70-2340	40-2341	20.4 x 24T
Alfa 33 1.7 QV	1986-90	Race/Rally	N	200	60-2339	76-2340	40-2341	20.4 x 24T
Alfa 33 1.7 16v		Race	N	200	60-2339	78-2340	40-2341	20.4 x 24T
Alfa 75 1.8 Turbo	1986-92	Road	N	215	60-3208	70-1870	40-Included	22 x 19T
Alfa 75 2.5 QV	1986-92	Race/Rally	N	215	60-3208	76-1870	40-Included	22 x 19T
Alfa 75 3.0ltr V6	1987-92	Race	N	215	60-3208	78-1870	40-Included	22 x 19T
Alfa 90 2.5ltr	1985-87							
Alfa 75 3.0ltr V6	1987-92	Race	N	184	63-120R	52-1075	40-1251	24.5 x 21T
		Conversion for Alfa Corse O 190mm Twin Plate Race Clutch Requires special release bearing carrier 43-3289				52-1075		
Alfa 145 1.7ltr 16v TS	1996-01	Road	N	215	60-3214	70-3222	40-3219	22.5 x 20T
		Race/Rally	N	215	60-3214	76-3222	40-3219	22.5 x 20T
Alfa 145 2.0ltr 16v TS	1995-01	Road	N	230	60-3216	70-3221	40-2107	22.5 x 20T
		Race/Rally	N	230	60-3216	76-3221	40-2107	22.5 x 20T
Alfa 146 2.0i 16v	1996-00	Road	N	230	60-3216	70-3221	40-2107	22.5 x 20T
		Race/Rally	N	230	60-3216	76-3221	40-2107	22.5 x 20T
		Race	N	230	60-3216	78-3221	40-2107	22.5 x 20T
Alfa 147 1.6 TS	2001 →	Road	N	215	60-3214	70-3222	40-3219	22.5 x 20T
		Race/Rally	N	215	60-3214	76-3222	40-3219	22.5 x 20T
Alfa 147 2.0ltr TS	2001 →	Road	N	230	60-3218	70-3221	40-3219	22.5 x 20T
		Race/Rally	N	230	60-3218	76-3221	40-3219	22.5 x 20T
Alfa 155 2.0ltr TS 8v	1992-97	Road	N	215	60-2182	70-1948	40-2107	22.5 x 20T
		Race/Rally	N	215	60-2182	76-1948	40-2107	22.5 x 20T

Vehicle	Year	Application	Ø	Cover	Plate	Bearing	Spline	
ALFA ROMEO (cont)								
Alfa 155 2.0ltr TS 16v	1995-97	Road	N	230	60-3216	70-3221	40-2107	22.5 x 20T
		Race/Rally	N	230	60-3216	76-3221	40-2107	22.5 x 20T
		Race	N	230	60-3216	78-3221	40-2107	22.5 x 20T
Alfa 155 2.0ltr Turbo Q4	4/92- 8/97	Road	N	235	60-4448	70-4451	40-Included	22.5 x 20T
		Race/Rally	N	235	60-4450	76-4451	40-Included	22.5 x 20T
Alfa 156 2.0ltr TS	1997 →	Road	N	230	60-3218	70-3221	40-3219	22.5 x 20T
		Race/Rally	N	230	60-3218	76-3221	40-3219	22.5 x 20T
Alfa 156 20ltr Turbo 16v	1995 →	Road	N	235	60-4448	70-4451	40-Included	22.5 x 20T
		Race/Rally	N	235	60-4450	76-4451	40-Included	22.5 x 20T
		Race	N	235	60-4450	78-4451	40-Included	22.5 x 20T
Alfa 156 2.5ltr V6	1997	Road	N	235	60-4448	70-4451	40-Included	22.5 x 20T
		Race/Rally	N	235	60-4450	76-4451	40-Included	22.5 x 20T
Alfa 156 3.2ltr GTA	2002-06	Road	N	235	60-4453	70-4452	40-Included	22.5 x 20T
		Race/Rally	N	235	60-4456	76-4452	40-Included	22.5 x 20T
Alfa 164 2.0ltr V6 Turbo	1990-98	Road	N	235	60-4448	70-4451	40-Included	22.5 x 20T
		Race/Rally	N	235	60-4450	76-4451	40-Included	22.5 x 20T
Alfa 164 3.0ltr 12v	1987-92	Road	N	230	60-4286	70-4287	40-2404	22.5 x 20T
		Race/Rally	N	230	60-4286	76-4287	40-2404	22.5 x 20T
Alfa 164 3.0ltr 24v	1990-98	Road	N	235	60-4448	70-4451	40-Included	22.5 x 20T
		Race/Rally	N	235	60-4450	76-4451	40-Included	22.5 x 20T
Alfa 166 3.0ltr 24v	1998-03	Road	N	235	60-4453	70-4452	40-Included	22.5 x 20T
		Race/Rally	N	235	60-4456	76-4452	40-Included	22.5 x 20T
Alfa 166 3.2ltr V6 24v	2003-07	Road	N	235	60-4453	70-4452	40-Included	22.5 x 20T
		Race/Rally	N	235	60-4456	76-4452	40-Included	22.5 x 20T

Vehicle	Year	Application		Ø	Cover	Plate	Bearing	Spline
ALFA ROMEO (cont)								
Alfa GTV 1.8ltr TS 16v	1998-03	Road	N	215	60-2182	70-1948	40-2107	22.5 x 20T
		Race/Rally	N	215	60-2182	76-1948	40-2107	22.5 x 20T
Alfa GTV 2.0ltr TS 16v	1995-03	Road	N	230	60-3216	70-3221	40-2107	22.5 x 20T
		Race/Rally	N	230	60-3216	76-3221	40-2107	22.5 x 20T
Alfa GTV 2.0ltr JTS 16v	2003-06	Road	N	230	60-3216	70-3221	40-2107	22.5 x 20T
		Race/Rally	N	230	60-3216	76-3221	40-2107	22.5 x 20T
Alfa GTV 3.0ltr V6	1997-03	Road	N	235	60-4448	70-4451	40-Included	22.5 x 20T
		Race/Rally	N	235	60-4450	76-4451	40-Included	22.5 x 20T
Alfa GTV 3.2ltr V6 24v	2003-06	Road	N	235	60-4453	70-4452	40-Included	22.5 x 20T
		Race/Rally	N	235	60-4456	76-4452	40-Included	22.5 x 20T
Alfa Mito 1.4ltr Turbo	2008 →	Road	N	215	60-5300	70-5301	41-5303	22.5 x 20T
		Race/Rally	N	215	60-5300	76-5301	41-5303	22.5 x 20T
Alfa GT 3.2 V6 24v	2003-08	Road	N	235	60-4453	70-4452	40-Included	22.5 x 20T
		Race/Rally	N	235	60-4456	76-4452	40-Included	22.5 x 20T
Giulietta 1.4ltr Jet 16v	2010 →	Road	N	215	60-5300	70-5301	41-5303	22.5 x 20T
		Race/Rally	N	215	60-5300	76-5301	41-5303	22.5 x 20T
Alfa Spider 1.8ltr TS	1995-03	Road	N	215	60-2182	70-1948	40-2107	22.5 x 20T
		Race/Rally	N	215	60-2182	76-1948	40-2107	22.5 x 20T
Alfa Spider 2.0ltr TS	1995-05	Road	N	230	60-3216	70-3221	40-2107	22.5 x 20T
		Race/Rally	N	230	60-3216	76-3221	40-2107	22.5 x 20T
Alfa Spider 2.0ltr JTS	2003-05	Road	N	215	60-2182	70-1948	40-2107	22.5 x 20T
		Race/Rally	N	215	60-2182	76-1948	40-2107	22.5 x 20T

Vehicle	Year	Application		Ø	Cover	Plate	Bearing	Spline
ASTON MARTIN								
Vantage V8 4.3ltr	2006 →	Road	N	267	60-2870	70-2871	41-2872	29.4 x 26T
		Race/Rally	N	267	60-2870	76-2871	41-2872	29.4 x 26T
Vantage V8 4.7ltr	2006 →	Road	N	267	60-2873	70-2871	41-2872	29.4 x 26T
		Race/Rally	N	267	60-2873	76-2871	41-2872	29.4 x 26T
AUDI								
Audi 80 Quattro 1.8ltr	1986-90	Road	N	228	60-3308	70-3627	40-3210	24.2 x 23T
Audi 80 Quattro 2.0ltr	1988-95	Race/Rally	N	228	60-3308	76-3627	40-3210	24.2 x 23T
Audi 80 S2 Quattro <i>(Eng ; 3B)</i>	1990-92	Road	N	240	60-3433	70-1710	40-3210	24.2 x 23T
		Race/Rally	N	240	60-3433	76-1710	40-3210	24.2 x 23T
Audi 80 S2 Quattro	1993-96	Road	N	240	60-3389	70-1710	40-3210	24.2 x 23T
Audi RS2 Quattro <i>(Eng ; ABY)</i>	1994-95	Race/Rally	N	240	60-3389	75-1710	40-3210	24.2 x 23T
Audi 80 RS2 Quattro <i>(Eng ; ADU)</i>	1994-95	Road	N	240	60-3389	70-1710	40-3210	24.2 x 23T
		Race/Rally	N	240	60-3389	76-1710	40-3210	24.2 x 23T
Audi Coupe S2 <i>(Eng ; 3B)</i>	1990-92	Road	N	240	60-3433	70-1710	40-3210	24.2 x 23T
		Race/Rally	N	240	60-3433	76-1710	40-3210	24.2 x 23T
Audi Coupe S2 <i>(Eng ; ABY)</i>	1990-92	Road	N	240	60-3433	70-1710	40-3210	24.2 x 23T
		Race/Rally	N	240	60-3433	76-1710	40-3210	24.2 x 23T
Audi 100 S4 Quattro <i>(Eng ; AAN)</i>	1991-94	Road	N	240	60-3387	71-3342	40-3210	24.2 x 23T
		Race/Rally	N	240	60-3387	78-3342	40-3210	24.2 x 23T
Audi 100 S4 Quattro <i>(Eng ; ABH)</i>	1992-94	Road	N	240	60-3389	70-3434	40-3210	24.2 x 23T
		Race/Rally	N	240	60-3389	76-3434	40-3210	24.2 x 23T
Audi Quattro S1 (UR)	1985-89	Road	N	240	60-2284	70-2219	40-2209	24.2 x 23T
		Race/Rally	N	240	60-2284	76-2219	40-2209	24.2 x 23T

Vehicle	Year	Application	Ø	Cover	Plate	Bearing	Spline
---------	------	-------------	---	-------	-------	---------	--------

AUDI (cont)

Audi Quattro 2.2ltr Turbo <i>(Eng ; GV,WR Chassis No → 85J900336)</i>	1980-87	Road	N	240	60-4341	70-4191	40-2209	20.4 x 24T
		Race/Rally	N	240	60-4341	76-4191	40-2209	20.4 x 24T

Audi Quattro 2.2ltr Turbo <i>(Eng ; WX Chassis No → 85J900337)</i>	1987-91	Road	N	240	60-3433	70-1709	40-3210	20.4 x 24T
		Race/Rally	N	240	60-3433	76-1709	40-3210	20.4 x 24T

Audi Quattro 2.2ltr <i>(Eng ; RR,MB)</i>	1989-91	Road	N	240	60-3433	70-1709	40-3210	20.4 x 24T
		Race/Rally	N	240	60-3433	76-1709	40-3210	20.4 x 24T

Audi A3 1.8ltr Turbo <i>(Eng ; AGU,AQA,ARZ,AUM,ARX)</i> <i>(150 & 180 BHP / 110 & 132kw)</i> <i>(Eng ; APP → 025197)</i> <i>(Chassis No → 8L-Y-175000)</i> <i>(All fitted 5 speed gearbox)</i> (Using twin mass flywheel)	1996-2003	Road	N	220	60-3322	71-3323	40-4717	22.1 x 28T
		Race/Rally	N	220	60-3322	78-3323	40-4717	22.1 x 28T

Audi A3 1.8ltr Turbo <i>(Eng ; AGU,AQA,ARZ,AUM,ARX)</i> <i>(150 & 180 BHP / 110 & 132kw)</i> <i>(Eng ; APP 025198 →)</i> <i>(Chassis No 8L-Y-175001 →)</i> <i>(All fitted 5 speed gearbox)</i> (Using twin mass flywheel)	1996-2003	Road	N	228	60-3224	71-3217	40-4717	22.1 x 28T
		Race/Rally	N	228	60-3224	78-3217	40-4717	22.1 x 28T

Audi A3 1.8ltr Turbo <i>(Eng ; AGU,AQA,ARZ,AUM,ARX)</i> <i>(150 & 180 BHP / 110 & 132kw)</i> <i>(Eng ; APP 025198 →)</i> <i>(Chassis No 8L-Y-175001 →)</i> <i>(All fitted 5 speed gearbox)</i> (Requires flywheel HF 9281)	1996-2003	Road	N	228	60-4604	70-4606	40-4717	22.1 x 28T
		Race/Rally	N	228	60-4604	76-4606	40-4717	22.1 x 28T

Vehicle	Year	Application	Ø	Cover	Plate	Bearing	Spline	
AUDI (cont)								
Audi A3 1.8ltr Turbo <i>(Eng ; APP)</i> <i>(180 BHP & 132kw)</i> <i>(Fitted 6 speed gearbox)</i> <i>(Using twin mass flywheel)</i>	1998-	Road	N	240	60-3314	71-3313	41-4621	22.1 x 28T
	2003	Race/Rally	N	240	60-3314	78-3313	41-4621	22.1 x 28T
<hr/>								
Audi A3 1.8ltr Turbo <i>(Eng ; APP)</i> <i>(180 BHP & 132kw)</i> <i>(Fitted 6 speed gearbox)</i> <i>(Requires flywheel HF 9282)</i>	1998-	Road	N	240	60-4610	70-4611	41-4621	22.1 x 28T
	2003	Race/Rally	N	240	60-4610	76-4611	41-4621	22.1 x 28T
<hr/>								
Audi A3 Quattro 1.8ltr Turbo <i>(Eng ; AQA)</i> <i>(150 BHP & 110kw)</i> <i>(Eng ; AJQ,ARY,AUL)</i> <i>(180 BHP & 132kw)</i> <i>(Fitted 6 speed gearbox)</i> <i>(Using twin mass flywheel)</i>	1998-	Road	N	240	60-3314	71-3313	41-4621	22.1 x 28T
	2003	Race/Rally	N	240	60-3314	78-3313	41-4621	22.1 x 28T
<hr/>								
Audi A3 Quattro 1.8ltr Turbo <i>(Eng ; AQA)</i> <i>(150 BHP & 110kw)</i> <i>(Eng ; AJQ,ARY,AUL)</i> <i>(180 BHP & 132kw)</i> <i>(Fitted 6 speed gearbox)</i> <i>(Requires flywheel HF 9282)</i>	1998-	Road	N	240	60-4610	70-4611	41-4621	22.1 x 28T
	2003	Race/Rally	N	240	60-4610	76-4611	41-4621	22.1 x 28T
<hr/>								
Audi A3 1.8ltr TFSI <i>(Eng ; BYT,BZB)</i>	2006-	Road	N	240	60-3318	71-3317	41-4621	24.2 x 23T
	2013	Race/Rally	N	240	60-3318	78-3317	41-4621	24.2 x 23T
<hr/>								
Audi A3 1.8ltr TFSI Quattro <i>(Eng ; CDAA)</i> <i>(Sachs twin mass flywheel)</i>	2008-	Road	N	240	60-3318	71-3317	41-4621	24.2 x 23T
	2013	Race/Rally	N	240	60-3318	78-3317	41-4621	24.2 x 23T
<hr/>								

Vehicle	Year	Application	Ø	Cover	Plate	Bearing	Spline	
AUDI (cont)								
Audi A3 2.0ltr TFSI (Eng ; AXX,BWA,BPY) (Eng ; CAW) (Luk twin mass flywheel)	2004 →	Road	N	240	60-3316	71-3324	41-4621	22.1 x 28T
		Race/Rally	N	240	60-3316	78-3324	41-4621	22.1 x 28T
<hr/>								
Audi A3 2.0ltr TFSI (Eng ; AXX,BWA,BPY) (Eng ; CAWB, CCZA) (Sachs twin mass flywheel)	2004 →	Road	N	240	60-3318	71-3317	41-4621	22.1 x 28T
		Race/Rally	N	240	60-3318	78-3317	41-4621	22.1 x 28T
<hr/>								
Audi S3 Quattro Turbo (Eng ; BAM) (225 BHP / 165kw) (Eng ; AMK,APY,AUL) (210 BHP / 154kw) (Using twin mass flywheel)	1999-04	Road	N	240	60-3314	71-3313	41-4621	24.2 x 23T
		Race/Rally	N	240	60-3314	78-3313	41-4621	24.2 x 23T
<hr/>								
Audi S3 Quattro Turbo (Eng ; BAM) (225 BHP/165kw) (Eng ; AMK,APY,AUL) (210 BHP/154kw) (Requires flywheel HF 9282)	1999-04	Road	N	240	60-4610	70-4611	41-4621	24.2 x 23T
		Race/Rally	N	240	60-4610	76-4611	41-4621	24.2 x 23T
<hr/>								
Audi S3 Quattro Turbo (Eng ; BHZ,BZC) (Luk twin mass flywheel)	11/06 →	Road	N	240	60-3316	71-3324	41-4621	24.2 x 23T
		Race/Rally	N	240	60-3316	78-3324	41-4621	24.2 x 23T
<hr/>								
Audi S3 Quattro Turbo (Eng ; BHZ,BZC,CDLA,CDLC) (Sachs twin mass flywheel)	11/06 →	Road	N	240	60-3318	71-3317	41-4621	24.2 x 23T
		Race/Rally	N	240	60-3318	78-3317	41-4621	24.0 x 23T
<hr/>								
Audi S3 Quattro Turbo (Eng ; BHZ,BZC) (Requires flywheel HF 9289)	11/06 →	Road	N	240	60-4610	70-4611	41-4621	24.2 x 23T
		Race/ Rally	N	240	60-4610	76-4611	41-4621	24.2 x 23T
<hr/>								

Vehicle	Year	Application	Ø	Cover	Plate	Bearing	Spline	
AUDI (cont)								
Audi A3 3.2ltr V6 Quattro (Eng ; BDM,BMJ,BUB) (Luk twin mass flywheel)	2003-08	Road	N	240	60-3316	71-3324	41-4621	24.2 x 23T
		Race/Rally	N	240	60-3316	78-3324	41-4621	24.2 x 23T
<hr/>								
Audi A3 1.9ltr TDI (Eng ; AGR → 35000) (Using twin mass flywheel)	1996-01	Road	N	228	60-4604	70-4606	40-4717	22.1 x 28T
<hr/>								
Audi A3 1.9ltr TDI (Eng ; AGR 35001 →) (Eng ; ALH) (90 BHP/66kw) (Eng ; 000001 → 143239) (Eng ; 150001 → 179646) (Eng ; 210001 → 220000) (Luk twin mass flywheel)	1996-01	Road	N	220	60-3322	71-3323	40-4717	22.1 x 28T
		Race/Rally	N	220	60-3322	78-3323	40-4717	22.1 x 28T
<hr/>								
Audi A3 1.9ltr TDI (Eng ; AHF,ASV) (110 BHP/81kw) (Chassis No → 8L-Y-200000) (Luk twin mass flywheel)	1997-01	Road	N	220	60-3322	71-3323	40-4717	22.1 x 28T
		Race/Rally	N	220	60-3322	78-3323	40-4717	22.1 x 28T
<hr/>								
Audi A3 1.9ltr TDI (Eng ; AGR → 35001) (Eng ; ALH) (90 BHP/66kw) (Eng ; 143240 → 150000) (Eng ; 179647 → 210000) (Eng ; 220001 →) (Luk twin mass flywheel)	1996-01	Road	N	228	60-3310	70-3311	40-4717	22.1 x 28T
		Race/Rally	N	228	60-3310	78-3311	40-4717	22.1 x 28T
<hr/>								
Audi A3 1.9ltr TDI (Eng ; AHF,ASV) (110 BHP/81kw) (Chassis No 8L-1-000001) (Luk twin mass flywheel)	1997-01	Road	N	228	60-3310	70-3311	40-4717	22.1 x 28T
		Race/Rally	N	228	60-3310	78-3311	40-4717	22.1 x 28T

Vehicle	Year	Application	Ø	Cover	Plate	Bearing	Spline	
AUDI (cont)								
Audi A3 1.9ltr TDI <i>(Eng ; ALH,AGR)</i> <i>(90 BHP/66kw)</i> <i>(Eng ; ATD,AXR)</i> <i>(100 BHP/74kw)</i> <i>(Eng ; AHF,ASV)</i> <i>(115 BHP/81kw)</i> (Requires flywheel HF 9281)	1996-01	Road	N	228	60-4604	70-4606	40-4717	22.1 x 28T
Audi A3 1.9ltr TDI	2000-03	Road	N	240	60-3312	71-3313	41-4621	22.1 x 28T
Audi A3 1.9ltr TDI Quattro <i>(Eng ; ASV)</i> <i>(130 BHP/96kw)</i> (Using twin mass flywheel)		Race/Rally	N	240	60-3312	78-3313	41-4621	22.1 x 28T
Audi A3 2.0ltr TDI <i>(Eng ; AZV,BKD,BMM)</i> <i>(136 BHP/100kw)</i> <i>(140 BHP/103kw)</i> (Sachs twin mass flywheel)	2003-08	Road	N	240	60-3318	71-3317	41-4621	24.2 x 23T
		Race/Rally	N	240	60-3318	78-3317	41-4621	24.2 x 23T
Audi A3 2.0ltr TDI <i>(Eng ; AZV,BKD,BMM)</i> <i>(136 BHP/100kw)</i> <i>(140 BHP/103kw)</i> (Luk twin mass flywheel)	2003-08	Road	N	240	60-3316	71-3325	41-4621	24.2 x 23T
		Race/Rally	N	240	60-3316	78-3325	41-4621	24.2 x 23T
Audi A3 2.0ltr TDI <i>(Eng ; CBAA,CFFB,CFFA)</i> <i>(Eng ; CBAB,CBBB)</i> (Sachs twin mass flywheel)	2008 →	Road	N	240	60-3318	71-3317	41-4621	24.2 x 23T
		Race/Rally	N	240	60-3318	78-3317	41-4621	24.2 x 23T
Audi A3 2.0ltr TDI <i>(Eng ; CBAA,CFFB,CFFA)</i> <i>(Eng ; CBAB,CBBB)</i> (Luk twin mass flywheel)	2008 →	Road	N	240	60-3316	71-3325	41-4621	24.2 x 23T
		Race/Rally	N	240	60-3316	78-3325	41-4621	24.2 x 23T

Vehicle	Year	Application		Ø	Cover	Plate	Bearing	Spline
AUDI (cont)								
Audi A3 S3 Quattro (Model ; 8V) (Eng ; CJXC)	2012 →	Road	N	240	60-3328	70-3317	41-4504	22.1 x 28T
		Race/Rally	N	240	60-3328	76-3317	41-4504	22.1 x 28T
<hr/>								
Audi A3 S3 Quattro (Model ; 8V) (Eng ; CJXB)	2012 →	Road	N	240	60-3328	70-3317	41-4504	22.1 x 28T
		Race/Rally	N	240	60-3328	76-3317	41-4504	22.1 x 28T
<hr/>								
Audi A3 S3 Quattro (Model ; 8V) (Eng ; CJXB, DJHA)	2012 →	Road	N	240	60-3328	70-3317	41-4504	22.1 x 28T
		Race/Rally	N	240	60-3328	76-3317	41-4504	22.1 x 28T
<hr/>								
Audi A3 S3 Quattro (Model ; 8V) (Eng ; CJXB)	2013 →	Road	N	240	60-3328	70-3317	41-4504	22.1 x 28T
		Race/Rally	N	240	60-3328	76-3317	41-4504	22.1 x 28T
<hr/>								
Audi A3 S3 Quattro (Model ; 8V) (Eng ; CJXJ)	2013 →	Road	N	240	60-3328	70-3317	41-4504	22.1 x 28T
		Race/Rally	N	240	60-3328	76-3317	41-4504	22.1 x 28T
<hr/>								
Audi A3 S3 Quattro (Model ; 8V) (Eng ; CJXF)	2014 →	Road	N	240	60-3328	70-3317	41-4504	22.1 x 28T
		Race/Rally	N	240	60-3328	76-3317	41-4504	22.1 x 28T
<hr/>								
Audi A3 S3 Quattro (Model ; 8V) (Eng ; CJXC)	2014 →	Road	N	240	60-3328	70-3317	41-4504	22.1 x 28T
		Race/Rally	N	240	60-3328	76-3317	41-4504	22.1 x 28T
<hr/>								
Audi A3 S3 Quattro (Model ; 8V) (Eng ; CJXC)	2014 →	Road	N	240	60-3328	70-3317	41-4504	22.1 x 28T
		Race/Rally	N	240	60-3328	76-3317	41-4504	22.1 x 28T
<hr/>								
Audi A3 S3 Quattro (Model ; 8V) (Eng ; CJXG, DJHA)	2016 →	Road	N	240	60-3328	70-3317	41-4504	22.1 x 28T
		Race/Rally	N	240	60-3328	76-3317	41-4504	22.1 x 28T

Vehicle	Year	Application	Ø	Cover	Plate	Bearing	Spline	
AUDI (cont)								
Audi A4 1.8ltr Turbo & Quattro <i>(Eng ; ADR,APT,ARG,ARK)</i> <i>(125 BHP/93kw)</i> <i>(Eng ; AEB,ANB,APU,AWT)</i> <i>(150 BHP/110kw)</i> <i>(Eng ; AJL)</i> <i>(180 BHP/132kw)</i> (Twin mass flywheel)	1995-01	Road	N	228	60-3212	71-3213	40-3210	24.2 x 23T
		Race/Rally	N	228	60-3212	78-3213	40-3210	24.2 x 23T
<hr/>								
Audi A4 1.8ltr Turbo & Quattro <i>(Eng ; ADR,APT,ARG,ARK)</i> <i>(Eng ; AEB,ANB,APU,AWT)</i> <i>(125 BHP/92kw)</i> <i>(150 BHP/110kw)</i> <i>(Eng ; AJL 180 BHP/132kw)</i> (Requires flywheel HF 9283)	1995-01	Road	N	228	60-3308	70-4608	40-3210	24.2 x 23T
		Race/Rally	N	228	60-3308	76-4608	40-3210	24.2 x 23T
<hr/>								
Audi A4 1.8ltr Turbo & Quattro <i>(Eng ; ALT,AMB,AVB,AVJ)</i> <i>(Eng ; AWA,BFB)</i> <i>(125 BHP/110kw)</i> <i>(170 BHP/170kw)</i> (Twin mass flywheel)	2000-04	Road	N	228	60-3212	71-3213	40-3210	24.2 x 23T
		Race/Rally	N	228	60-3212	78-3213	40-3210	24.2 x 23T
<hr/>								
Audi A4 1.8ltr Turbo & Quattro <i>(Eng ; ALT,AMB,AVB,AVJ)</i> <i>(Eng ; AWA,BFB)</i> <i>(125 BHP/110kw)</i> <i>(170 BHP/170kw)</i> (Requires flywheel HF 9283)	2000-04	Road	N	228	60-3308	70-4608	40-3210	24.2 x 23T
		Race/Rally	N	228	60-3308	76-4608	40-3210	24.2 x 23T
<hr/>								
Audi A4 1.8tr Turbo & Quattro <i>(Eng ; ALT,BFB)</i> <i>(163 BHP/120kw)</i> (Twin mass flywheel)	2004- 2008	Road	N	228	60-3212	71-3213	40-3210	24.2 x 23T
		Race/Rally	N	228	60-3212	78-3213	40-3210	24.2 x 23T
<hr/>								

Vehicle	Year	Application	Ø	Cover	Plate	Bearing	Spline	
AUDI (cont)								
Audi A4 1.8ltr Turbo & Quattro <i>(Eng ; ALT,BFB)</i> <i>(163 BHP/120kw)</i> (Requires flywheel HF 9283)	2004-	Road	N	228	60-3308	70-4608	40-3210	24.2 x 23T
	2008	Race/Rally	N	228	60-3308	76-4608	40-3210	24.2 x 23T
<hr/>								
Audi A4 2.0ltr FSI <i>(Eng ; ALT,AWA)</i> <i>(150 BHP/110kw)</i> (Twin mass flywheel)	2000-04	Road	N	228	60-3212	71-3213	40-3210	24.2 x 23T
		Race/Rally	N	228	60-3212	78-3213	40-3210	24.2 x 23T
<hr/>								
Audi A4 2.0ltr FSI <i>(Eng ; ALT,AWA)</i> <i>(150 BHP/110kw)</i> (Requires flywheel HF 9283)	2000-04	Road	N	228	60-3308	70-4608	40-3210	24.2 x 23T
		Race/Rally	N	228	60-3308	76-4608	40-3210	24.2 x 23T
<hr/>								
Audi A4 2.0ltr FSI <i>(Eng ; ALT,AWA)</i> <i>(148 BHP/110kw)</i> (Twin mass flywheel)	2004-	Road	N	228	60-3212	71-3213	40-3210	24.2 x 23T
	2008	Race/Rally	N	228	60-3212	78-3213	40-3210	24.2 x 23T
<hr/>								
Audi A4 2.0ltr FSI <i>(Eng ; ALT,AWA)</i> <i>(148 BHP/110kw)</i> (Requires flywheel HF 9283)	2004-	Road	N	228	60-3308	70-4608	40-3210	24.2 x 23T
	2008	Race/Rally	N	228	60-3308	76-4608	40-3210	24.2 x 23T
<hr/>								
Audi A4 2.0ltr TFSI <i>(Eng ; BGB,BWE,BUL)</i> <i>(220 BHP/162kw)</i> (Twin mass flywheel)	2004-	Road	N	240	60-3318	71-3317	40-3210	24.2 x 23T
	2008	Race/Rally	N	240	60-3318	78-3317	40-3210	24.2 x 23T
<hr/>								
Audi A4 1.9ltr TDI <i>(Eng ; AFF)</i>	1995-01	Road	N	228	60-3212	71-3213	40-3210	24.2 x 23T
		Race/Rally	N	228	60-3212	78-3213	40-3210	24.2 x 23T
<hr/>								

Vehicle	Year	Application	Ø	Cover	Plate	Bearing	Spline	
AUDI (cont)								
Audi A4 1.9ltr TDI Turbo & Quattro <i>(Eng ; AHH,AHU)</i> <i>(90 BHP/ 66kw)</i> <i>(Eng ; AFN,AVG)</i> <i>(110 BHP/81kw)</i> (Twin mass flywheel)	1995-01	Road	N	228	60-3212	71-3213	40-3210	24.2 x 23T
		Race/Rally	N	228	60-3212	78-3213	40-3210	24.2 x 23T
Audi A4 1.9ltr TDI Quattro <i>(Eng ; AHH,AHU)</i> <i>(90 BHP/66kw)</i> <i>(Eng ; AFN,AVG)</i> <i>(110 BHP/81kw)</i> (Requires flywheel HF 9283)	1995-01	Road	N	228	60-3308	70-4608	40-3210	24.2 x 23T
		Race/Rally	N	228	60-3308	76-4608	40-3210	24.2 x 23T
Audi A4 1.9ltr TDI Quattro <i>(Eng ; ATJ)</i> <i>(115 BHP/85kw)</i> (Twin mass flywheel)	2000-01	Road	N	240	60-3220	71-3215	40-3210	24.2 x 23T
		Race/Rally	N	240	60-3220	78-3215	40-3210	24.2 x 23T
Audi A4 1.9ltr TDI Quattro <i>(Eng ; ATJ)</i> <i>(115 BHP/85kw)</i> (Requires flywheel HF 9282)	2000-01	Road	N	240	60-4610	70-4611	40-3210	24.2 x 23T
		Race/Rally	N	240	60-4610	76-4611	40-3210	24.2 x 23T
Audi A4 1.9ltr TDI Quattro <i>(Eng ; AVB,AWX,BKE)</i> <i>(100 → 130 BHP/74 → 96kw)</i> (Twin mass flywheel)	2000-04	Road	N	228	60-3212	71-3213	40-3210	24.2 x 23T
		Race/Rally	N	228	60-3212	78-3213	40-3210	24.2 x 23T
Audi A4 1.9ltr TDI Quattro <i>(Eng ; AVB,AWX,BKE)</i> <i>(100 → 130 BHP/74 → 96kw)</i> (Requires flywheel HF 9282)	2000-04	Road	N	228	60-3308	70-4608	40-3210	24.2 x 23T
		Race/Rally	N	228	60-3308	76-4608	40-3210	24.2 x 23T

Vehicle	Year	Application	Ø	Cover	Plate	Bearing	Spline	
AUDI (cont)								
Audi A4 1.9ltr TDI <i>(Eng ; BKE,BRB)</i> <i>(116 BHP/85kw)</i> (Twin mass flywheel)	2004-08	Road	N	228	60-3212	71-3213	40-3210	24.2 x 23T
		Race/Rally	N	228	60-3212	78-3213	40-3210	24.2 x 23T
Audi A4 1.9ltr TDI <i>(Eng ; BKE,BRB)</i> <i>(116 BHP/85kw)</i> (Requires flywheel HF 9282)	2004-08	Road	N	228	60-3308	70-4608	40-3210	24.2 x 23T
		Race/Rally	N	228	60-3308	76-4608	40-3210	24.2 x 23T
Audi A4 2.0ltr TDI <i>(Eng ; BNA,BLB,BPW,BRE)</i> <i>(Eng ; BRF,BVF)</i> <i>(126 → 140 BHP)</i> <i>(93 → 103kw)</i>	2004-07	Road	N	240	60-3318	71-3317	40-3210	24.2 x 23T
		Race/Rally	N	240	60-3318	78-3317	40-3210	24.2 x 23T
Audi A4 2.0ltr TDI Quattro <i>(Eng ; BRD,BVA)</i> <i>(120 → 170 BHP)</i> <i>(120 → 125kw)</i>	2004-07	Road	N	240	60-3318	71-3317	40-3210	24.2 x 23T
		Race/Rally	N	240	60-3318	78-3317	40-3210	24.2 x 23T
Audi S4 Quattro <i>(Eng ; AGB)</i> <i>(265 BHP/195kw)</i> (Twin mass flywheel)	1997-01	Road	N	240	60-4612	70-4613	40-3210	24.2 x 23T
		Race/Rally	N	240	60-4612	76-4613	40-3210	24.2 x 23T
Audi RS4 Quattro 2.7ltr Twin Turbo <i>(Eng ; ASJ,AZR)</i> <i>(381 BHP/280kw)</i> (Twin mass flywheel)	2000-01	Road	N	240	60-4612	70-4613	40-3210	24.2 x 23T
		Race/Rally	N	240	60-4612	76-4613	40-3210	24.2 x 23T
Audi A5 1.8ltr TFSI <i>(Eng ; CABA,CABB,CDHA)</i> <i>(Eng ; CDHB)</i> <i>(160 BHP/118kw)</i>	2007-08	Road	N	228	60-4612	70-4613	40-3210	24.2 x 23T
		Race/Rally	N	228	60-4612	76-4613	40-3210	24.2 x 23T

Vehicle	Year	Application	Ø	Cover	Plate	Bearing	Spline	
AUDI (cont)								
Audi TT 1.8ltr Turbo (Eng ; AJQ,ARY,AUM,AUQ) (Chassis No 8N-1-006001 →) (Eng ; APP) (Chassis No 8N-1-006001 →) (Twin mass flywheel)	1998-06	Road	N	228	60-3224	71-3217	40-4717	22.1 x 28T
		Race/Rally	N	228	60-3224	78-3217	40-4717	22.1 x 28T
<hr/>								
Audi TT 1.8ltr Turbo (Eng ; AJQ,ARY,AUM,AUQ) (Chassis No → 8N-1-0006000) (Eng ; APP) (Chassis No → 025197) (Twin mass flywheel)	1998-06	Road	N	220	60-3322	71-3323	40-4717	22.1 x 28T
		Race/Rally	N	220	60-3322	78-3323	40-4717	22.1 x 28T
<hr/>								
Audi TT 1.8ltr Turbo (All chassis No.) (Eng ; AJQ,APP,ARY,AUM,AUQ) (Requires flywheel HF 9281)	1998-06	Road	N	228	60-4604	70-4606	40-4717	22.1 x 28T
		Race/Rally	N	228	60-4604	76-4606	40-4717	22.1 x 28T
<hr/>								
Audi TT 1.8ltr Turbo (Eng ; BVP) (163 BHP/120kw) (Twin mass flywheel)	2005-06	Road	N	228	60-3224	71-3217	40-4717	22.1 x 28T
		Race/Rally	N	228	60-3224	78-3217	40-4717	22.1 x 28T
<hr/>								
Audi TT 1.8ltr Turbo Quattro (Eng ; AJQ,AMU,ARY,ATC) (180 BHP/132kw) (Eng ; AWP) (Twin mass flywheel)	1999-06	Road	N	240	60-3314	71-3313	41-4621	24.2 x 23T
		Race/Rally	N	240	60-3314	78-3313	41-4621	24.2 x 23T
<hr/>								
Audi TT 1.8ltr Turbo Quattro (Eng ; AJQ,AMU,ARY,ATC) (180 BHP/132kw) (Eng ; AWP) (Requires flywheel HF 9282)	1999-06	Road	N	240	60-4610	70-4611	41-4621	24.2 x 23T
		Race/Rally	N	240	60-4610	76-4611	41-4621	24.2 x 23T
<hr/>								

Vehicle	Year	Application	Ø	Cover	Plate	Bearing	Spline	
AUDI (cont)								
Audi TT 1.8ltr Turbo Quattro <i>(Eng ; BVR)</i> <i>(190 BHP/140kw)</i> <i>(Twin mass flywheel)</i>	2005-06	Road	N	240	60-3314	71-3313	41-4621	24.2 x 23T
		Race/Rally	N	240	60-3314	78-3313	41-4621	24.2 x 23T
<hr/>								
Audi TT 1.8ltr Turbo Quattro <i>(Eng ; APX,BAM)</i> <i>(225 BHP/165kw)</i> <i>(Twin mass flywheel)</i>	1998-06	Road	N	240	60-3314	71-3313	41-4621	24.2 x 23T
		Race/Rally	N	240	60-3314	76-4611	41-4621	24.2 x 23T
<hr/>								
Audi TT 1.8ltr Turbo Quattro <i>(Eng ; APX,BAM)</i> <i>(225 BHP/165kw)</i> <i>(Requires flywheel HF 9282)</i>	1999-06	Road	N	240	60-4610	70-4611	41-4621	24.2 x 23T
		Race/Rally	N	240	60-4610	76-4611	41-4621	24.2 x 23T
<hr/>								
Audi TT 1.8ltr Turbo Quattro <i>(Eng ; BFV)</i> <i>(240 BHP/176kw)</i> <i>(Twin mass flywheel)</i>	2005-06	Road	N	240	60-3320	71-3321	41-4621	24.2 x 23T
		Race/Rally	N	240	60-3320	78-3321	41-4621	24.2 x 23T
<hr/>								
Audi TT 2.0ltr TFSI <i>(Eng ; BWA,BPY)</i> <i>(Eng ; CCTA,CCZA)</i> <i>(200 BHP/147kw)</i> <i>(Sachs twin mass flywheel)</i>	2006 →	Road	N	240	60-3318	71-3317	41-4621	24.2 x 23T
		Race/Rally	N	240	60-3318	78-3317	41-4621	24.2 x 23T
<hr/>								
Audi TT 2.0ltr TFSI <i>(Eng ; BWA,BPY)</i> <i>(Eng ; CCTA, CCZA)</i> <i>(200 BHP/147kw)</i> <i>(Luk twin mass flywheel)</i>	2006 →	Road	N	240	60-3316	71-3325 /29	41-4621	28.7 x 26T
		Race/Rally	N	240	60-3316	78-3325 /29	41-4621	28.7 x 26T
<hr/>								

Vehicle	Year	Application	Ø	Cover	Plate	Bearing	Spline
---------	------	-------------	---	-------	-------	---------	--------

AUDI (cont)

Audi TT 2.0ltr TFSI <i>(Eng ; BWA,BPY, CCTA, CCZA)</i> <i>(200 BHP/147kw)</i> (Requires flywheel HF 9289)	2006 →	Road	N	240	60-4610	70-4611	41-4621	24.2 x 23T
		Race/Rally	N	240	60-4610	76-4611	41-4621	24.2 x 23T

Audi TTRS 2.5ltr Quattro <i>(Eng ; CEPA)</i> <i>(335 BHP/246kw)</i> (Luk twin mass flywheel)	2009 →	Road	N	240	60-3316	71-3325 /29	41-4621	28.7 x 26T
		Race/Rally	N	240	60-3316	78-3325 /29	41-4621	28.7 x 26T

Audi TT 3.2ltr V6 Quattro <i>(Eng ; BHE)</i> <i>250 BHP / 184kw</i> (Fitted twin mass flywheel)	2003-06	Road	N	240	60-3320	71-3321	41-4621	24.2 x 23T
		Race/Rally	N	240	60-3320	78-3321	41-4621	24.2 x 23T

Audi TT 3.2ltr V6 Quattro <i>(Eng ; BHE)</i> <i>(250 BHP/184kw)</i> (Requires flywheel HF 9284)	2003-06	Road	N	240	60-4610	70-4611	41-4621	24.2 x 23T
		Race/Rally	N	240	60-4610	76-4611	41-4621	24.2 x 23T

Audi TT 3.2ltr V6 Quattro <i>(Eng ; BUB)</i> <i>(250 BHP/184kw)</i> <i>(Chassis No → 7-19575)</i> (Luk twin mass flywheel)	2006 →	Road	N	240	60-3316	71-3325 /29	41-4621	24.2 x 23T
		Race/Rally	N	240	60-3316	78-3325 /29	41-4621	24.2 x 23T

Audi TT 3.2ltr V6 Quattro <i>(Eng ; BUB)</i> <i>(250 BHP/184kw)</i> <i>(Chassis No 7-19576 →)</i> (Luk twin mass flywheel)	2006 →	Road	N	240	60-3316	71-3325 /29	41-4622	24.2 x 23T
		Race/Rally	N	240	60-3316	78-3325 /29	41-4622	24.2 x 23T

Vehicle	Year	Application		Ø	Cover	Plate	Bearing	Spline
BMW								
318I (E30) <i>(Eng ; M10B18)</i>	1982-90	Road	N	215	60-1246	70-1967	40-1225	29 x 10T
		Race/Rally	N	215	60-1246	76-1967	40-1225	29 x 10T
318IS (E30 & E36) <i>(Eng ; M40B18 & M42B18)</i>	1987-00	Road	N	215	60-2924	70-1967	40-1225	29 x 10T
		Race/Rally	N	215	60-2924	76-1967	40-1225	29 x 10T
318IS (E30 & E36) <i>(Eng ; M44B19)</i> <i>(Eng ; M42B18 w/ A/C)</i>	1989- 2000	Road	N	215	60-2926	71-2927	40-1225	29 x 10T
		Race/Rally	N	215	60-2926	78-2927	40-1225	29 x 10T
320I (E30)	1985-91	Road	N	228	60-4740	70-4738	40-1225	29 x 10T
		Race/Rally	N	228	60-4740	76-4738	40-1255	29 x 10T
325I (E30)	1985-91	Road	N	228	60-4740	70-4738	40-1225	29 x 10T
		Race/Rally	N	228	60-4740	76-4738	40-1225	29 x 10T
320I (E36) <i>(Eng ; M50,M52)</i>	1992- 1999	Road	N	228	60-2412	71-2413	40-1225	29 x 10T
		Race/Rally	N	228	60-2412	78-2413	40-1225	29 x 10T
325I (E36)	1989-95	Road	N	228	60-2412	71-2413	40-1225	29 x 10T
		Race/Rally	N	228	60-2412	78-2413	40-1225	29 x 10T
328I (E36)	1995-99	Road	N	240	60-2414	71-4739	40-1225	29 x 10T
		Race/Rally	N	240	60-2414	78-4739	40-1225	29 x 10T
328I (E46)	1998-00	Road	N	240	60-4750	71-2419	40-1226	29 x 10T
330I (E46) <i>(02/2003)</i>	2000- 2003	Race/Rally	N	240	60-4750	78-2419	40-1226	29 x 10T
330I (E46) <i>(03/2003)</i>	2003- 2005	Road	N	240	60-4750	71-4751	40-1225	29 x 22T
		Race/Rally	N	240	60-4750	78-4751	40-1225	29 x 22T
330I (E90/92)	2005 →	Road	N	240	60-4750	71-4751	40-1227	29 x 22T
		Race/Rally	N	240	60-4750	78-4751	40-1227	29 x 22T

Vehicle	Year	Application		Ø	Cover	Plate	Bearing	Spline
BMW (cont)								
320D (E46) <i>(5 speed gearbox)</i> <i>(03/2003)</i>	2001-	Road	N	240	60-4750	71-4749	40-1226	35 x 10T
	2003	Race/Rally	N	240	60-4750	78-4749	40-1226	35 x 10T
<hr/>								
320D (E46) <i>(6 speed gearbox)</i> <i>(04/2003-02/2005)</i>	2003-	Road	N	240	60-4750	71-4751	40-1227	29 x 22T
	2005	Race/Rally	N	240	60-4750	78-4751	40-1227	29 x 22T
<hr/>								
330D (E46) <i>(09/2002)</i>	1999-	Road	N	240	60-4750	71-4749	40-1226	35 x 10T
	2002	Race/Rally	N	240	60-4750	78-4749	40-1226	35 x 10T
<hr/>								
330D (E46) <i>(10/2002)</i>	2002- 2005	Road	N	240	60-4750	70-4755	40-1227	35 x 26T
330D (E90/92)	9/2006	Race/Rally	N	240	60-4750	76-4755	40-1227	35 x 26T
	→	Race/Rally	N	240	60-4750	78-4755	40-1227	35 x 26T
<hr/>								
M3 (E30)	1986-90	Road	N	228	60-4740	70-4738	40-1225	29 x 10T
		Race/Rally	N	228	60-4740	76-4738	40-1225	29 x 10T
		Race	N	228	60-4740	78-4738	40-1225	29 x 10T
<hr/>								
M3 3.0ltr (E36) <i>(Sprung plate only fits HF 9255)</i>	1991-96	Road	N	240	60-4745	71-4739	40-1225	29 x 10T
		Race/Rally	N	240	60-4745	78-4739	40-1225	29 x 10T
						78-4741	<i>(Alternative 5 Paddle)</i>	
<hr/>								
M3 3.2ltr (E36)	1996-00	Road	N	240	60-4747	71-4739	40-1225	29 x 10T
		Race/Rally	N	240	60-4747	78-4741	40-1225	29 x 10T
<hr/>								
M3 3.2ltr (E46)	2001 →	Road	N	240	60-4750	71-4749	40-1226	35 x 10T
		Race/Rally	N	240	60-4750	78-4749	40-1226	35 x 10T
<hr/>								
M5 3.5ltr (E28)	1984-88	Road	N	240	60-4752	70-4753	40-1225	29 x 10T
M5 3.6ltr (E34)	1988-92	Race/Rally	N	240	60-4752	76-4753	40-1225	29 x 10T
<hr/>								
M5 3.8ltr (E34)	1992-95	Road	N	240	60-4754	71-4739	40-1225	29 x 10T
		Race/Rally	N	240	60-4754	78-4739	40-1225	29 x 10T
<hr/>								

Vehicle	Year	Application		Ø	Cover	Plate	Bearing	Spline
BMW (cont)								
M5 4.9ltr (E39)	1998-03	Road	N	240	60-4750	71-4749	40-1226	35 x 10T
		Race/Rally	N	240	60-4750	78-4749	40-1226	35 x 10T
<hr/>								
BMW → MINI								
Mini Cooper 1.6ltr (R50)	2001- 2004	Road	N	200	60-2420	70-2421	40-5096	21 x 18T
		Race/Rally	N	200	60-2420	76-2421	40-5096	21 x 18T
<hr/>								
Mini Cooper 1.6ltr	2004- 2006	Road	N	200	60-2420	70-2423	40-3821	21 x 18T
		Race/Rally	N	200	60-2420	76-2423	40-3821	21 x 18T
<hr/>								
Mini Cooper S 1.6ltr	2002- 2006	Road	N	215	60-2442	70-2443	40-3821	25 x 14T
		Race/Rally	N	215	60-2442	76-2443	40-3821	25 x 14T
<i>(Requires flywheel HF 9307)</i>								
4 Piece clutch kit (R52 & R53)	2002-06	Road	N	215	35-7007	Organic Drive Plates		
		Race/Rally	N	215	95-7007	Ceramic Drive Plates		
<hr/>								
Mini Cooper S 1.6ltr	2002- 2006	Road	N	215	60-2424	70-2426	40-3821	25 x 14T
		Race/Rally	N	215	60-2424	76-2426	40-3821	25 x 14T
<i>(Requires flywheel HF 9382)</i>								
<hr/>								
Mini Cooper 1.6ltr (Eng ; N12B16A)	2006 →	Road	N	201	60-2438	70-2439	40-2441	20 x 17T
		Race/Rally	N	201	60-2438	76-2439	40-2441	20 x 17T
<hr/>								
Mini Cooper S 1.6ltr (Eng ; N14B16A)	2006 →	Road	N	228	60-2432	70-2433	40-2434	22.1 x 28T
		Race/Rally	N	228	60-2432	76-2433	40-2434	22.1 x 28T
<i>(Requires flywheel HF 9230)</i>								
<i>(R56)</i>								
4 Piece clutch kit	2006 →	Road	N	228	35-7008	Organic Drive Plates		
		Race/Rally	N	228	95-7008	Ceramic Drive Plates		
<hr/>								
Mini Cooper S 1.6ltr (4wd)	2009 →	Road	N	240	60-2436	70-2435	40-2437	22.1 x 28T
		Race/Rally	N	240	60-2436	76-2435	40-2437	22.1 x 28T
<i>(Requires flywheel HF 9292)</i>								
<hr/>								

Vehicle	Year	Application	Ø	Cover	Plate	Bearing	Spline
---------	------	-------------	---	-------	-------	---------	--------

BMW → MINI (cont)

Mini Cooper 2.0ltr <i>(Eng ; B48)</i> (Requires flywheel HF 9490) <i>(F56)</i>	2013 →	Road	N	240	60-4756	70-2440	40-2441	22.1 x 28T
		Race/Rally	N	240	60-4756	76-2440	40-2441	22.1 x 28T
4 Piece clutch kit	2013 →	Road	N	240	35-7009		Organic Drive Plates	
		Race/Rally	N	240	95-7009		Ceramic Drive Plates	

CATERHAM

1.6ltr Ford <i>(Eng ; OHC)</i>		Road	N	190	60-3329	70-1605	40-2483	25.4 x 23T
		Race/Rally	N	190	60-3329	76-1605	40-2483	25.4 x 23T

1.4ltr 'K' Series 1.6ltr 'K' Series 1.8ltr 'K' Series		Road	N	190	60-3329	70-1605	40-2482	25.4 x 23T
		Race/Rally	N	190	60-3329	76-1605	40-2482	25.4 x 23T

2.0ltr 16v Vauxhall <i>(Eng ; C20XE → No. 14128448)</i>		Road	N	228	12-4626	70-4628	40-2482	25.4 x 23T
		Race/Rally	N	228	12-4626	76-4628	40-2482	25.4 x 23T
		Race/Rally	N	228	12-4626	78-4628	40-2482	25.4 x 23T

2.0ltr 16v Vauxhall <i>(Eng ; C20XE No. 14128449 →)</i>		Road	N	228	12-4990	70-4628	40-2482	25.4 x 23T
		Race/Rally	N	228	12-4990	76-4628	40-2482	25.4 x 23T
		Race/Rally	N	228	12-4990	78-4628	40-2482	25.4 x 23T

Vehicle	Year	Application		Ø	Cover	Plate	Bearing	Spline
CITROEN								
AX Sport 1.3ltr	1987-95	Road	N	180	60-3703	70-4789	40-1748	21 x 18T
		Race / Rally	N	180	60-3703	76-4789	40-1748	21 x 18T
<hr/>								
BX 1.9ltr GTI	1984-89	Road	N	200	60-3867	70-3868	40-3869	21 x 18T
		Race/Rally	N	200	60-3867	76-3868	40-3869	21 x 18T
<i>Note;</i> <i>Vehicles fitted with ball pin release fork gearbox</i>								
<hr/>								
BX 1.9ltr GTI	1989-93	Road	N	200	60-3867	70-3868	40-1748	21 x 18T
		Race/Rally	N	200	60-3867	76-3868	40-1748	21 x 18T
<i>Note;</i> <i>Vehicles fitted with ball pin release fork gearbox</i>								
<hr/>								
BX 1.9ltr 16v GTI	1987-92	Road	N	215	60-4800	70-4801	40-3869	21 x 18T
		Race/Rally	N	215	60-4802	76-4801	40-3869	21 x 18T
<hr/>								
C1 1.0ltr <i>(Eng ; 1KR-FE)</i>	2005 →	Road	N	190	60-4051	70-3831	N/A	22.5 x 19T
		Race/Rally	N	190	60-4052	76-3831	N/A	22.5 x 19T
<hr/>								
C2 1.6ltr 16v VTS	2004 →	Road	N	200	60-3861	70-3873	40-4937	21 x 18T
		Race/Rally	N	200	60-3862	76-3873	40-4937	21 x 18T
<hr/>								
C3 II 1.6ltr HDI <i>(Eng; 9HJ, 9HP)</i>	2009 →	Road	N	228	60-4942	70-4944	40-4937	21 x 18T
		Race/Rally	N	228	60-4942	76-4944	40-4937	21 x 18T
<hr/>								
C4 I 2.0ltr HDI <i>(Eng; RHZ)</i> <i>RPO Number from 12048</i>	2007- 2009	Road	N	228	60-4942	70-4944	40-4937	21 x 18T
		Race/Rally	N	228	60-4942	76-4944	40-4937	21 x 18T
<hr/>								
C4 II 1.6ltr HDI 90 <i>(Eng; 9HJ, 9HP)</i>	2009 →	Road	N	228	60-4942	70-4944	40-4937	21 x 18T
		Race/Rally	N	228	60-4942	76-4944	40-4937	21 x 18T
<hr/>								
C4 II 1.2ltr THP 130 <i>(Eng; HNY)</i>	2014 →	Road	N	228	60-4501	70-4502	41-4503	22 x 26T
		Race/Rally	N	228	60-4501	76-4502	41-4503	22 x 26T
<hr/>								
C5 III 1.6ltr THP 150 <i>(Eng; 5FN)</i>	2010 →	Road	N	228	60-4501	70-4502	41-4503	22 x 26T
		Race/Rally	N	228	60-4501	76-4502	41-4503	22 x 26T
<hr/>								

Vehicle	Year	Application	Ø	Cover	Plate	Bearing	Spline	
CITROEN (cont)								
C5 III 1.6ltr THP 155 <i>(Eng; 5FV)</i>	2009 →	Road	N	228	60-4501	70-4502	41-4503	22 x 26T
		Race/Rally	N	228	60-4501	76-4502	41-4503	22 x 26T
DS3 1.6ltr HDI 90 <i>(Eng; 9HP)</i> <i>Manual 5 Speed Transmission</i>	2009 →	Road	N	228	60-4942	70-4944	40-4937	21 x 18T
		Race/Rally	N	228	60-4942	76-4944	40-4937	21 x 18T
DS3 Convertible 1.6ltr HDI 90 <i>(Eng; 9HP)</i> <i>TransmissionType; BE4R</i>	2013 →	Road	N	228	60-4942	70-4944	40-4937	21 x 18T
		Race/Rally	N	228	60-4942	76-4944	40-4937	21 x 18T
DS3 1.6ltr THP 155 <i>(Eng; 5FR, 5FV)</i>	2010 →	Road	N	228	60-4501	70-4502	41-4503	22 x 26T
		Race/Rally	N	228	60-4501	76-4502	41-4503	22 x 26T
DS3 1.6ltr <i>(Eng; 5FM)</i>	2012 →	Road	N	228	60-4501	70-4502	41-4503	22 x 26T
		Race/Rally	N	228	60-4501	76-4502	41-4503	22 x 26T
DS3 1.6ltr Racing <i>(Eng; 5FU, 5FD)</i>	2011 →	Road	N	228	60-4501	70-4502	41-4503	22 x 26T
		Race/Rally	N	228	60-4501	76-4502	41-4503	22 x 26T
DS3 1.6ltr Convertible THP 155 <i>(Eng; 5FV)</i>	2013 →	Road	N	228	60-4501	70-4502	41-4503	22 x 26T
		Race/Rally	N	228	60-4501	76-4502	41-4503	22 x 26T
DS3 1.6ltr Convertible Racing <i>(Eng; 5FD)</i>	2014 →	Road	N	228	60-4501	70-4502	41-4503	22 x 26T
		Race/Rally	N	228	60-4501	76-4502	41-4503	22 x 26T
DS3 <i>(Eng; EP6DT & EP6CDT)</i> <i>(Flywheel HF 9535)</i>	04/10-07/15	Road	N	235	60-3810	70-3811	N/A	20 x 17T
		Race/Rally	N	235	60-3810	76-3811	N/A	20 x 17T
DS4 1.2ltr THP 130 <i>(Eng; HNY)</i>	2014 →	Road	N	228	60-4501	70-4502	41-4503	22 x 26T
		Race/Rally	N	228	60-4501	76-4502	41-4503	22 x 26T

Vehicle	Year	Application	Ø	Cover	Plate	Bearing	Spline	
CITROEN (cont)								
DS4 1.6ltr THP 200 <i>(Eng; 5FU)</i>	2011 →	Road	N	228	60-4501	70-4502	41-4503	22 x 26T
		Race/Rally	N	228	60-4501	76-4502	41-4503	22 x 26T
DS4 1.6ltr HDI <i>(Eng; 9HP)</i> <i>TransmissionType; BE4R</i>	2011 →	Road	N	228	60-4942	70-4944	40-4937	21 x 18T
		Race/Rally	N	228	60-4942	76-4944	40-4937	21 x 18T
DS5 1.6ltr THP 200 <i>(Eng; 5FU)</i>	2011 →	Road	N	228	60-4501	70-4502	41-4503	22 x 26T
		Race/Rally	N	228	60-4501	76-4502	41-4503	22 x 26T
DS5 1.6ltr THP 210	2014 →	Road	N	228	60-4501	70-4502	41-4503	22 x 26T
		Race/Rally	N	228	60-4501	76-4502	41-4503	22 x 26T
DS3 1.6ltr THP 208 <i>(Eng; 5GR)</i>	2015 →	Road	N	228	60-4501	70-4502	41-4503	22 x 26T
		Race/Rally	N	228	60-4501	76-4502	41-4503	22 x 26T
DS3 Convertible 1.6ltr THP 208 <i>(Eng; 5GR)</i>	2015 →	Road	N	228	60-4501	70-4502	41-4503	22 x 26T
		Race/Rally	N	228	60-4501	76-4502	41-4503	22 x 26T
DS4 Crossback 1.2ltr THP 130 <i>(Eng; HNY)</i>	2015 →	Road	N	228	60-4501	70-4502	41-4503	22 x 26T
		Race/Rally	N	228	60-4501	76-4502	41-4503	22 x 26T
DS4 Crossback 1.6ltr THP 210 <i>(Eng; 5GM)</i>	2015 →	Road	N	228	60-4501	70-4502	41-4503	22 x 26T
		Race/Rally	N	228	60-4501	76-4502	41-4503	22 x 26T
DS5 1.6ltr THP 210 <i>(Eng; 5GM)</i>	2015 →	Road	N	228	60-4501	70-4502	41-4503	22 x 26T
		Race/Rally	N	228	60-4501	76-4502	41-4503	22 x 26T
2 CV Dyane 6	1982-90	Race	N	160	12-3772	78-3830	40-3831	20.9 x 18T
C-Elysee 1.6ltr HDI 92 <i>(Eng; 9HJ, 9HP)</i>	2012 →	Road	N	228	60-4942	70-4944	40-4937	21 x 18T
		Race/Rally	N	228	60-4942	76-4944	40-4937	21 x 18T

Vehicle	Year	Application	Ø	Cover	Plate	Bearing	Spline
---------	------	-------------	---	-------	-------	---------	--------

CITROEN (cont)

Saxo 1.4ltr	1996 →	Road	N	180	60-3703	70-4790	40-1748	21 x 18T
		Race/Rally	N	180	60-3703	76-4790	40-1748	21 x 18T

Saxo 1.6ltr 16v VTS (Eng ; TU5J4/L3, TU5JP/K)	1996-99	Road	N	200	60-3874	70-3873	40-5967	21 x 18T
		Race/Rally	N	200	60-3872	76-3873	40-5967	21 x 18T

Saxo 1.6ltr 16v VTS (Eng ; TU5J4D3/L3, TUJP/L3) (Org No 8831 →)	2000 →	Road	N	200	60-3861	70-3873	40-5967	21 x 18T
		Race/Rally	N	200	60-3862	76-3873	40-5967	21 x 18T

Visa 1.6ltr GTI	1984-88	Road	N	200	60-3867	70-3868	40-3869	21 x 18T
		Race/Rally	N	200	60-3867	76-3868	40-3869	21 x 18T

ZX 2.0ltr 16v	1992-97	Road	N	215	60-5104	70-5106	40-Included	21 x 18T
		Race/Rally	N	215	60-5105	76-5106	40-Included	21 x 18T

DACIA

Duster 1.5ltr DCI 4x4 (110BHP)	2010 →	Road	N	225	60-4100	70-4149	N/A	24.5 x 21T
		Race/Rally	N	225	60-4100	76-4149	N/A	24.5 x 21T
						71-4149	N/A	24.5 x 21T
						78-4149	N/A	24.5 x 21T

DAEWOO

Lanos 1.6ltr	1997 →	Road	N	215	60-3554	70-3555	N/A	20.4 x 24T
		Race/Rally	N	215	60-3554	76-3555	N/A	20.4 x 24T

Lanos 1.6ltr (Fitted with close ratio gearbox)	1997 →	Race/Rally	N	215	60-3554	76-3556	N/A	22.5 x 20T
--	--------	------------	---	-----	---------	---------	-----	------------

Vehicle	Year	Application		Ø	Cover	Plate	Bearing	Spline
FERRARI								
348 <i>(Eng ; → 24980)</i> <i>(Ø 215mm Twin Plate Clutch)</i> <i>(Use bearing guide tube fom 355)</i>	1989-95	Road	A	215	60-5010	71-5011 71-5012	40-5013	1 3/8" x10T
		Race/Rally	A	215	60-5010	78-5011 78-5012	40-5013	1 3/8" x10T
348 <i>(Eng ; 24981 →)</i> <i>(Ø 240mm Single Plate Clutch)</i> <i>(Use bearing guide tube from 355)</i>	1989-95	Road	N	240	12-7003	71-3522	40-5013	
		Road	N	240	60-7003	71-3522	40-5013	1 3/8" x10T
		Race/Rally	N	240	60-7003	78-3522	40-5013	
355 <i>(6 bolt ring gear fixing)</i>	1994-99	Road	N	247	12-7001	71-3523	40-5013	
		Road	N	247	60-7001	71-3523	40-5013	1 3/8" x10T
		Race/Rally	N	247	60-7001	78-3523	40-5013	
355 Challenge	1997-99	Race	N	247	60-7001	78-3523	40-5013	1 3/8" x10T
360	2000-05	Road	N	247	12-7002	70-3524	40-5014	28 x 25T
		Road	N	247	60-7002	70-3524	40-5014	28 x 25T
		Race/Rally	N	247	60-7002	76-3524	40-5014	28 x 25T
360 Challenge	2000-05	Race	N	247	60-7002	78-3524	40-5014	28 x 25T
512 BB / 512 BBI	1976- 1982	Road	N	215	60-2634	70-2635	40-2639	1 1/4" x10T
						71-2635		
512 BB / 512 BBI <i>(Interplate HF 9302)</i>	1976- 1982	Race	N	215	60-2634	78-2635	40-2639	1 1/4" x10T
						78-2635		
Testarossa	1984- 1991	Road	N	240	60-2644	70-2640	40-2643	1 1/8" x10T
						71-2641		
<i>(Interplate HF 9301)</i>		Race	N	240	60-2644	78-2640	40-2643	1 1/8" x10T
						78-2641		

Vehicle	Year	Application		Ø	Cover	Plate	Bearing	Spline
FERRARI (cont)								
Testarossa	1990-1992	Road	N	240	60-2644	70-2645 71-2646	40-2643	1 3/8" x10T
		Race	N	240	60-2644	78-2645 78-2646	40-2643	
<i>(Interplate HF 9301)</i>								
<hr/>								
FIAT								
Strada 1.1ltr & 1.3ltr	1982-88	Road	N	180	60-2402	70-3950	40-2404	20 x 17T
		Race/Rally	N	180	60-2402	76-3950	40-2404	20 x 17T
<hr/>								
Strada 1.5ltr	1983-88	Road	N	190	60-4894	70-2406	40-2404	20 x 17T
		Race/Rally	N	190	60-4894	76-2406	40-2404	20 x 17T
<hr/>								
Strada 125 TC	1981-88	Road	N	215	60-2182	70-1948	40-1036	22.5 x 20T
Strada 130 TC	1981-88	Race/Rally	N	215	60-2182	76-1948	40-1036	22.5 x 20T
<hr/>								
UNO 70 1.3ltr Turbo	1985-90	Road	N	190	60-4894	70-4895	40-2404	20 x 17T
		Race/Rally	N	190	60-4895	76-4895	40-2404	20 x 17T
<i>Note;</i> <i>(Chassis No → 7130388)</i>								
<hr/>								
UNO 70 1.3ltr Turbo	1985-90	Road	N	190	60-4894	70-3238	40-2107	22.5 x 20T
		Race/Rally	N	190	60-4895	76-3238	40-2107	22.5 x 20T
<i>Note;</i> <i>(Chassis No 7130389 →)</i>								
<hr/>								
UNO 1.4ltr Turbo	1990-94	Road	N	200	60-1207	70-1947	40-2107	22.5 x 20T
		Race/Rally	N	200	60-1207	76-1947	40-2107	22.5 x 20T
<hr/>								
131 Sport 2.0ltr	1978-83	Road	N	215	60-2182	70-1948	40-1036	22.5 x 20T
		Race/Rally	N	215	60-2182	76-1948	40-1036	22.5 x 20T
<hr/>								
Brava 1.8ltr GT 16v	1995-01	Road	N	215	60-6089	70-6085	40-2107	22.5 x 20T
		Race/Rally	N	215	60-6089	76-6085	40-2107	22.5 x 20T
<hr/>								
Brava 1.9ltr JTD 105	1999-01	Road	N	230	60-3222	70-3223	40-2404	22.5 x 20T
<i>(Eng ; 182B4)</i>								
<hr/>								

Vehicle	Year	Application		Ø	Cover	Plate	Bearing	Spline
FIAT (cont)								
Bravo 2.0ltr HGT 20v	1995-01	Road	N	230	60-3216	70-3221	40-2107	22.5 x 20T
		Race/Rally	N	230	60-3216	76-3221	40-2107	22.5 x 20T
Punto 1.4ltr GT Turbo	1993-99	Road	N	215	60-6083	70-6085	40-2107	22.5 x 20T
		Race/Rally	N	215	60-6084	76-6085	40-2107	22.5 x 20T
Punto 1.8ltr HGT 16v	1999 →	Road	N	215	60-6087	70-6085	40-2107	22.5 x 20T
		Race/Rally	N	215	60-6087	76-6085	40-2107	22.5 x 20T
Punto Abarth 1.4ltr Turbo <i>(Gearbox ; 6M)</i>	2007 →	Road	N	215	60-5300	70-5301	41-5303	22.5 x 20T
		Race/Rally	N	215	60-5300	76-5301	41-5303	22.5 x 20T
Coupe 2.0ltr 16v Turbo	1993-96	Road	N	235	60-4448	70-4451	40-Included	22.5 x 20T
Coupe 2.0ltr 20v Turbo	1996-00	Race/Rally	N	235	60-4450	76-4451	40-Included	22.5 x 20T
Seicento Sporting 1.1ltr <i>(Gearbox ; 514)</i>	1998 →	Road	N	180	60-3952	70-3953	40-3954	17.3 x 20T
		Race/Rally	N	180	60-3952	76-3953	40-3954	17.3 x 20T
Seicento Sporting 1.1ltr <i>(Gearbox ; 526)</i>	1998 →	Road	N	180	60-3956	70-3953	40-2303	17.3 x 20T
		Race/Rally	N	180	60-3956	76-3953	40-2303	17.3 x 20T
Stilo 1.4ltr 16v	2001 →	Road	N	200	60-1206	70-6093	40-6094	17.3 x 15T
		Race/Rally	N	200	60-1206	76-6093	40-6094	17.3 x 15T
Stilo 1.8ltr 16v	2001 →	Road	N	230	60-6090	70-6091	40-6092	22.5 x 20T
		Race/Rally	N	230	60-6090	76-6091	40-6092	22.5 x 20T
500 Abarth 1.4ltr 16v	2009 →	Road	N	215	60-5300	70-5301	41-5303	22.5 x 20T
		Race/Rally	N	215	60-5300	76-5301	41-5303	22.5 x 20T
500 Abarth 1.4ltr 16v <i>(Race series → 032GM gearbox)</i>	2009 →	Race/Rally	N	215	60-5300	76-5300	41-5304	22. x 20T

Vehicle	Year	Application	Ø	Cover	Plate	Bearing	Spline	
FORD								
Mustang V8 <i>(240mm Conversion)</i>		Race/Rally	N	240	60-4709	76-5002	40-3156	11/16" x10T
			N	240	60-4709	76-5001		1 5/32 x26T
			N	240	60-4709	77-5001		
Capri 3.0ltr V6	1971-81	Road	N	240	60-2861	70-3494	40-2482	25.4 x 23T
		Race/Rally	N	240	60-2861	76-3494	40-2482	25.4 x 23T
Escort Mexico Mk1 1.6ltr <i>(Chassis No → NJ80364)</i>	1970-73	Road	N	190	60-2490	70-1606	40-3257	22.5 x 20T
		Race/Rally	N	190	60-2490	76-1606	40-3257	22.5 x 20T
Escort Mexico Mk1 1.6ltr <i>(Chassis No NJ80365 →)</i>	1973-75	Road	N	190	60-1012	70-1606	40-3259	22.5 x 20T
		Race/Rally	N	190	60-1012	76-1606	40-3259	22.5 x 20T
Escort Twin Cam 1558	1968-71	Road	N	215	60-2842	70-1340	40-3259	22.5 x 20T
		Race/Rally	N	215	60-2842	76-1340	40-3259	22.5 x 20T
Escort RS 1600 Mk1 <i>(Chassis No → NJ80364)</i>	1970-73	Road	N	215	60-2846	70-1340	40-3257	22.5 x 20T
		Race/Rally	N	215	60-2846	76-1340	40-3257	22.5 x 20T
Escort RS 1600 Mk1 <i>(Chassis No NJ80365 →)</i>	1973-74	Road	N	215	60-2842	70-1340	40-3259	22.5 x 20T
		Race/Rally	N	215	60-2842	76-1340	40-3259	22.5 x 20T
Escort Mk2 1.3ltr & 1.6ltr <i>(Fitted 4 speed gearbox)</i>	1975-80	Road	N	190	60-3329	70-1606	40-2483	22.5 x 20T
		Race/Rally	N	190	60-3329	76-1606	40-2483	22.5 x 20T
Escort Mk2 1.3ltr & 1.6ltr <i>(Fitted 5 speed gearbox)</i>	1975-80	Road	N	190	60-3329	70-1605	40-2482	25.4 x 23T
		Race/Rally	N	190	60-3329	76-1605	40-2482	25.4 x 23T
Escort Mexico Mk2	1976-78	Road	N	215	60-2851	70-1518	40-2482	25.4 x 23T
		Race/Rally	N	215	60-2851	76-1518	40-2482	25.4 x 23T
Escort RS 1800	1975-77	Road	N	215	60-2851	70-1518	40-2482	25.4 x 23T
		Race/Rally	N	215	60-2851	76-1518	40-2482	25.4 x 23T

Vehicle	Year	Application	Ø	Cover	Plate	Bearing	Spline	
FORD (cont)								
Escort RS 2000 Mk1	1973-75	Road	N	215	60-2851	70-1518	40-2482	25.4 x 23T
Escort RS 2000 Mk2	1975-80	Race/Rally	N	215	60-2851	76-1518	40-2482	25.4 x 23T
Escort 1.6ltr Mk3,4,5	1986-95	Road	N	220	60-5075	70-5076	40-2034	20 x 17T
Escort 1.6ltr XR3I		Race/Rally	N	220	60-5077	76-5076	40-2034	20 x 17T
Escort 1.6ltr RS Turbo	1984-86	Road	N	200	60-2360	70-2361	40-2034	20 x 17T
		Race/Rally	N	200	60-2360	76-2361	40-2034	20 x 17T
Escort 1.6ltr RS Turbo	1986-90	Road	N	220	60-5075	70-5076	40-2034	20 x 17T
		Race/Rally	N	220	60-5077	76-5076	40-2034	20 x 17T
Escort 1.8ltr XR3I (Zetec Eng ; RDA) (150 BHP)	1995-98	Road	N	220	60-6023	70-5076	40-4668	20 x 17T
		Race/Rally	N	220	60-6024	76-5076	40-4668	20 x 17T
Escort 1.8ltr XR3I (Zetec Eng ; RKC) (115 BHP)	1995-98	Road	N	220	60-6023	70-5076	40-4668	20 x 17T
		Race/Rally	N	220	60-6024	76-5076	40-4668	20 x 17T
Escort 1.8ltr XR3I (Zetec Eng ; RQB) (130 BHP)	1992-98	Road	N	240	60-2723	70-4667	40-4668	25.4 x 23T
		Race/Rally	N	240	60-2724	76-4667	40-4668	25.4 x 23T
Escort RS 2000 Mk5	1992-98	Road	N	240	60-4666	70-4667	40-4668	25.4 x 23T
Escort RS 2000 4wd		Race/Rally	N	240	60-4669	76-4667	40-4668	25.4 x 23T
Escort RS Cosworth	1992-96	Road	N	240	60-4708	70-4710	40-2597	25.4 x 23T
		Race/Rally	N	240	60-4709	76-4710	40-2597	25.4 x 23T
Fiesta SI 1.4ltr 16v	1999 →	Road	N	190	60-2347	70-2348	N/A	20 x 17T
		Race/Rally	N	190	60-2347	76-2348	N/A	20 x 17T
Fiesta 1.6ltr XR2	1989-96	Road	N	215	60-5075	70-5076	40-2034	20 x 17T
Fiesta RS Turbo 1.6ltr	1992-95	Race/Rally	N	215	60-5077	76-5076	40-2034	20 x 17T
Fiesta 1.6ltr XR2i								

Vehicle	Year	Application		Ø	Cover	Plate	Bearing	Spline
FORD (cont)								
Fiesta RS 1.8ltr 16v	1992-96	Road	N	215	60-5075	70-5076	40-2034	20 x 17T
		Race/Rally	N	215	60-5077	76-5076	40-2034	20 x 17T
<hr/>								
Fiesta 1.8ltr <i>(Zetec Eng)</i> <i>(130 BHP)</i>	1992-95	Road	N	240	60-2723	70-4663	40-4668	25.4 x 23T
		Race/Rally	N	240	60-2724	76-4663	40-4668	25.4 x 23T
<hr/>								
Fiesta ST 150	2005-07	Road	N	220	60-6028	70-6038	41-2358	20 x 17T
		Race/Rally	N	220	60-6029	76-6038	41-2358	20 x 17T
<hr/>								
Fiesta ST 150	2007-09	Road	N	220	60-6028	70-6038	41-2357	20 x 17T
		Race/Rally	N	220	60-6029	76-6038	41-2357	20 x 17T
<hr/>								
Fiesta ST 150 <i>(Ford Motorsport version)</i>	2005 →	Race/Rally	N	220	60-6034	76-6036	41-2357	22.5 x 20T
<hr/>								
Fiesta Ecoboost 1.0ltr <i>(Flywheel HF 9524)</i>	2018 →	Road	N	220	60-6036	70-6027	N/A	20 x 17T
		Race/Rally	N	220	60-6036	76-6027	N/A	20 x 17T
<hr/>								
Fiesta Ecoboost 1.6Ltr <i>(Flywheel HF 9525)</i>	2018 →	Road	N	228	60-6040	70-6143	N/A	20 x 17T
		Race/Rally	N	228	60-6040	76-6143	N/A	20 x 17T
<hr/>								
Sierra Cosworth 2wd	1986-90	Road	N	240	60-4708	70-4710	40-2482	25.4 x 23T
		Race/Rally	N	240	60-4709	76-4710	40-2482	25.4 x 23T
<hr/>								
Sierra Cosworth 2wd <i>(Fitted Getrag gearbox)</i>	1986-90	Road	N	240	60-4708	70-4711	40-2482	29 x 10T
		Race/Rally	N	240	60-4709	76-4711	40-2482	29 x 10T
<hr/>								
Sierra Cosworth 4wd	1990-93	Road	N	240	60-4708	70-4710	40-2597	25.4 x 23T
		Race/Rally	N	240	60-4709	76-4710	40-2597	25.4 x 23T
<hr/>								
Focus 1.6ltr 16v	1998 →	Road	N	220	60-6028	70-6025	41-2352	20 x 17T
		Race/Rally	N	220	60-6029	76-6025	41-2352	20 x 17T

Vehicle	Year	Application	Ø	Cover	Plate	Bearing	Spline	
FORD (cont)								
Focus 1.8ltr 16v <i>(Fitted B5, IB5 gearbox)</i>	1998 →	Road	N	220	60-6028	70-6025	41-2352	20 x 17T
		Race/Rally	N	220	60-6029	76-6025	41-2352	20 x 17T
Focus 1.8ltr 16v <i>(Fitted MTX 75 gearbox)</i>	1998 →	Road	N	220	60-6028	70-6026	41-2352	26 x 23T
		Race/Rally	N	220	60-6029	76-6026	41-2352	26 x 23T
Focus 2.0ltr 16v <i>(Fitted MTX 75 gearbox)</i> <i>(Eng ; EDDB,EDDC,EDDD,EDDF)</i>	1998- 2004	Road	N	240	60-2723	70-4663	41-2353	26 x 23T
		Race/Rally	N	240	60-2724	76-4663	41-2353	26 x 23T
Focus 2.0ltr 16v <i>(Fitted IB5 gearbox)</i> <i>(Eng ; EDDB,EDDC,EDDD,EDDF)</i>	1998- 2004	Road	N	240	60-2723	70-4663	41-2352	26 x 23T
		Race/Rally	N	240	60-2724	76-4663	41-2352	26 x 23T
Focus 2.0ltr 16v <i>(Eng ; AODA,AODB)</i>	2005-08	Road	N	228	60-5086	71-5087	41-2364	26 x 23T
		Race/Rally	N	228	60-5086	78-5087	41-2364	26 x 23T
Focus ST 170 2.0ltr 16v <i>(07/2003)</i>	2002- 2003	Road	N	230	60-5084	71-5085	41-2356	25 x 14T
		Race/Rally	N	230	60-5084	78-5085	41-2356	25 x 14T
Focus ST 170 2.0ltr 16v <i>(07/2003)</i>	2003- 2005	Road	N	240	60-5078	71-5079	41-2356	25 x 14T
		Race/Rally	N	240	60-5078	78-5079	41-2356	25 x 14T
Focus RS 2.0ltr	2003 →	Road	N	240	60-5080	70-5081	41-2355	26 x 23T
		Race/Rally	N	240	60-5080	76-5081	41-2355	26 x 23T
Focus 2.0ltr Eco Boost <i>(Flywheel HF 9541)</i>	2015→	Road	N	240	60-6044	70-6145	41-2363	25.4 x 23T
		Race/Rally	N	240	60-6044	76-6145	41-2363	25.4 x 23T
Focus RS 2.3Ltr Eco Boost <i>(Flywheel HF 9346)</i>	2015→	Road	N	240	60-5162	70-5161	41-2363	25.4 x 23T
		Race/Rally	N	240	60-5162	76-5161	41-2363	25.4 x 23T
Mustang 2.3ltr Eco Boost <i>(Flywheel HF 9347)</i>	2015→	Road	N	240	60-5160	70-5163	41-	25.4 x 23T
		Race/Rally	N	240	60-5160	76-5163	41-	25.4 x 23T

Vehicle	Year	Application	Ø	Cover	Plate	Bearing	Spline	
FORD (cont)								
Focus ST 2.5ltr	2005 →	Road	N	240	60-5094	70-5095	41-2360	26 x 23T
		Race/Rally	N	240	60-5094	76-5095	41-2360	26 x 23T
<i>(Requires flywheel HF 9206A)</i>								
<hr/>								
Focus ST / RS 2.5ltr	2009 →	Road	N	240	60-5094	70-5095	41-2360	26 x 23T
		Race/Rally	N	240	60-5094	76-5095	41-2360	26 x 23T
<i>(Requires flywheel HF 9206A)</i>								
4 Piece clutch kit	2009- 2012	Road	N	240	35-7005	Organic Drive Plates		
		Race/Rally	N	240	95-7005	Cerametallic 5 Pad Drive Plates		
						95-7006	Cerametallic 6 Pad Drive Plates	
<hr/>								
Focus RS 2.5ltr <i>(Twin plate clutch)</i> (Requires flywheel HF 9293)	2005-11	Road	N	228	80-3004A	45-3001	41-2360	25.4 x 23T
					80-3104	45-2093		25.4 x 23T
		Race/Rally	N	228	80-3004A	45-1101	41-2360	25.4 x 23T
					80-3104	45-2092		25.4 x 23T
Twin Plate Kit	2005-11	Road	N	228	35-8303	Org Geared Hub Drive Plates		
		Race/Rally	N	228	95-8303	Pad Geared Hub Drive Plates		
<hr/>								
KA 1.3ltr	1996 →	Road	N	190	60-2347	70-2348	41-2352	20 x 17T
		Race/Rally	N	190	60-2347	76-2348	41-2352	20 x 17T
<hr/>								
KA Sport 1.6ltr	2004 →	Road	N	190	60-2347	70-2348	41-2357	20 x 17T
		Race/Rally	N	190	60-2347	76-2348	41-2357	20 x 17T
<hr/>								
Mondeo ST24 2.5ltr Mondeo ST200 2.5ltr <i>(5 Speed)</i>	1997-00	Road	N	240	60-2728	70-2729	41-2354	26 x 23T
	1999-00							
<hr/>								
Mondeo ST220 3.0ltr <i>(6 Speed)</i>	2002 →	Road	N	240	60-2730	70-2731	41-2363	26 x 23T
		Race/Rally	N	240	60-2730	76-2731	41-2363	26 x 23T
<hr/>								
Puma 1.4ltr 16v	1997-00	Road	N	190	60-2347	70-2348	41-2352	20 x 17T
		Race/Rally	N	190	60-2347	76-2348	41-2352	20 x 17T
<hr/>								
Puma 1.7ltr 16v	1997 →	Road	N	215	60-2350	70-2351	41-2352	20 x 17T
		Race/Rally	N	215	60-2362	76-2351	41-2352	20 x 17T
<hr/>								

Vehicle	Year	Application	Ø	Cover	Plate	Bearing	Spline	
HONDA								
Accord Type 'R' 2.2ltr (Model ; CH1)	1998-00	Road	N	225	60-3409	70-3414	40-4234	25.9 x 24T
		Race/Rally	N	225	60-3409	76-3414	40-4234	25.9 x 24T
<hr/>								
Civic CRX 1.6ltr 16v (Model ; ED) (DZ16A6,A9) (Eng No ; 1200001 → 1400000)	1987-90	Road	N	200	60-3228	70-3229	40-5312	22 x 20T
		Race/Rally	N	200	60-3230	76-3229	40-5312	22 x 20T
<hr/>								
Civic CRX 1.6ltr 16v (Model ; ED) (D16Z5,D16A9) (Eng No ; 1400001 →)	1987-90	Road	N	210	60-3410	70-3411	40-5312	22 x 20T
		Race/Rally	N	210	60-3410	76-3411	40-5312	22 x 20T
<hr/>								
Civic CRX VTEC 1.6ltr (Model ; EE) (B16A) (Gearbox type Y2 cable operated)	1990-92	Road	N	215	60-3412	70-6002	40-3112	25.4 x 24T
		Race/Rally	N	215	60-3415	76-6002	40-3112	25.4 x 24T
<hr/>								
Civic CRX VTEC 1.6ltr (Model ; EG) (B16A) (Gearbox type Y21 hydraulically operated)	1992 →	Road	N	215	60-3412	70-3413	40-4234	25.9 x 24T
		Race/Rally	N	215	60-3415	76-3413	40-4234	25.9 x 24T
<hr/>								
Civic CRX VTEC 1.6ltr (Model ; EG,EK) (B16A) (Fitted group A gear set)	1992 →	Race/Rally	N	215	60-3415	76-6003	40-4234	22.5 x 20T
<hr/>								
Civic VTI VTEC 1.8ltr (Model ; MB6) (B18C4)	1997-00	Road	N	215	60-3412	70-3413	40-4234	25.9 x 24T
		Race/Rally	N	215	60-3415	76-3418	40-4234	25.9 x 24T
		Race	N	215	60-3415	78-3418	40-4234	25.9 x 24T
<hr/>								
Civic VTEC 1.8ltr (Eng ; R18A2)	2006 →	Road	N	215	60-3426	70-3427	40-5882	22 x 20T
		Race/Rally	N	215	60-3426	76-3427	40-5882	22 x 20T
<hr/>								

Vehicle	Year	Application	Ø	Cover	Plate	Bearing	Spline	
HONDA (cont)								
Civic Type R 2.0ltr <i>(Model ; EP3)</i> <i>(K20A)</i>	2001-07	Road	N	215	60-3420	70-3421	40-3423	25.9x 24T
		Race/Rally	N	215	60-3420	76-3421	40-3423	25.9 x 24T
		Race/Rally	N	215	60-3420	78-3421	40-3423	25.9 x 24T
Civic Type R 2.0ltr <i>(Model ; FD2, FN2)</i> <i>(K20A)</i>	2007 →	Road	N	215	60-3420	70-3421	40-3423	25.9 x 24T
		Race/Rally	N	215	60-3420	76-3421	40-3423	25.9 x 24T
		Race	N	215	60-3420	78-3421	40-3423	25.9 x 24T
Integra Type R 1.8ltr <i>(Model ; DC2)</i> <i>(B18C6)</i>	1997-01	Road	N	215	60-3412	70-3413	40-4234	25.9 x 24T
		Race/Rally	N	215	60-3415	76-3418	40-4234	25.9 x 24T
		Race	N	215	60-3415	78-3418	40-4234	25.9 x 24T
Integra Type R 2.0ltr <i>(Model ; DC5)</i>	2001-02	Road	N	215	60-3420	70-3421	40-3423	25.9 x 24T
		Race/Rally	N	215	60-3420	76-3421	40-3423	25.9 x 24T
Prelude 2.0ltr i 16v <i>(BB3)</i>	1992-97	Road	N	225	60-3408	70-3414	40-4234	25.9 x 24T
		Race/Rally	N	225	60-3408	76-3414	40-4234	25.9 x 24T
Prelude 2.3ltr i 4wd <i>(BB2)</i>	1992-97							
Prelude 2.2ltr i VTEC <i>(BB1)</i>	1992-97							
S 2000 Roadster <i>(Pull Type)</i>	1999 →	Road	N	212	60-3416	70-3417	40-3419	25.9 x 24T
		Race/Rally	N	212	60-3416	76-3417	40-3419	25.9 x 24T
		Race	N	212	60-3416	78-3417	40-3419	25.9 x 24T

Vehicle	Year	Application	Ø	Cover	Plate	Bearing	Spline	
HYUNDAI								
S Coupe MVI 1.5ltr Turbo	1990-96	Road	N	215	60-2325	70-6102	40-1820	22.5 x 20T
		Race/Rally	N	215	60-2325	76-6102	40-1820	22.5 x 20T
Coupe 1.6ltr	1996 →	Road	N	215	60-4423	70-6102	40-1820	22.5 x 20T
Lantra 1.6ltr	1995-01	Race/Rally	N	215	60-4423	76-6102	40-1820	22.5 x 20T
Coupe 2.0ltr	1996 →	Road	N	215	60-4424	70-4425	40-4426	22.5 x 20T
Lantra 1.8ltr,2.0ltr		Race/Rally	N	215	60-4424	76-4425	40-4426	22.5 x 20T
I30N 2.0ltr <i>(6 speed)</i> (O.E.M Dual Mass flywheel)	2018 →	Road	N	240	60-4444	71-4447	N/A	25.4 x 23T
		Race/Rally	N	240	60-4444	78-4447	N/A	25.4 x 23T
I30N 2.0ltr <i>(6 speed)</i> (Requires flywheel HF 9520)	2018 →	Road	N	240	60-4444	70-4447	N/A	25.4 x 23T
		Race/Rally	N	240	60-4444	76-4447	N/A	25.4 x 23T
		Race	N	240	60-4444	77-4447	N/A	25.4 x 23T

Vehicle	Year	Application		Ø	Cover	Plate	Bearing	Spline
JAGUAR								
Mk2 3.3ltr	1959-64	Road	N	240	60-2864	70-2347	40-3306	1 1/8" x10T
		Race/Rally	N	240	60-2864	76-2347	40-3306	
		Race	N	240	60-2865	78-2374	40-3306	
<i>(240mm conversion from 10" coil spring clutch)</i>								
<hr/>								
Mk2 3.4ltr <i>(Eng ; KJ8237 →)</i>	1965-67	Road	N	240	60-2854	70-2347	40-3319	1 1/8" x10T
		Race/Rally	N	240	60-2854	76-2347	40-3319	
		Race	N	240	60-2858	78-2347	40-3319	
<hr/>								
Mk2 3.4ltr <i>(Eng ; KJ8237 →)</i> <i>(When fitted getrag gearbox)</i>	1965-67	Race/Rally	N	240	60-2854	76-3378	40-3319	29 x 10T
		Race	N	240	60-2858	78-3378	40-3319	29 x 10T
<hr/>								
E-Type Series 1,2 4.2ltr	1965-71	Road	N	240	60-2854	70-2347	40-3319	1 1/8" x10T
		Race/Rally	N	240	60-2858	76-2347	40-3319	
		Race	N	240	60-2858	78-2347	40-3319	
<hr/>								
XJS 3.6ltr	1984-91	Road	N	240	60-2502	70-3380	40-3264	26 x 23T
		Race/Rally	N	240	60-2502	76-3380	40-3264	26 x 23T
<hr/>								
E-Type V12 5.3ltr XJ12,XJS V12	1971-75	Road	N	267	60-2868	70-1648	40-3325	1 1/8" x10T
	1975-79	Race	N	267	60-2868	78-1648	40-3325	
<hr/>								
JENSEN								
Healey	1972 →	Road	N	215	60-5132	70-2615	40-2465	28 x 25T
		Race/Rally	N	215	60-5132	76-2615	40-2465	28 x 25T
<hr/>								
KIA								
Timor 1.6ltr		Race/Rally	N	200	60-3440	76-3441	40-	22.5 x 20T
<hr/>								

Vehicle	Year	Application		Ø	Cover	Plate	Bearing	Spline
LANCIA								
Delta HF Turbo 1.6ltr 8v	1983-93	Road	N	215	60-2182	70-1948	40-2404	22.5 x 20T
		Race/Rally	N	215	60-2182	76-1948	40-2404	22.5 x 20T
<hr/>								
Delta HF Integrale 2.0ltr 8v 4wd	1986-89	Road	N	228	60-4286	70-4287	40-2404	22.5 x 20T
		Race/Rally	N	228	60-4286	76-4287	40-2404	22.5 x 20T
<hr/>								
Delta Integrale 2.0ltr 16v	1989-94	Road	N	235	60-4445	70-4288	N/A	22.5 x 20T
Evo 2.0ltr 16v	1994-99	Race/Rally	N	235	60-4446	76-4288	N/A	22.5 x 20T
<hr/>								
Delta Integrale 2.0ltr 16v	1989-94	Race/Road	A	200	68-120	71-1002	Organic	22.5 x 20T
						71-1002		22.5 x 20T
Evo 2.0ltr 16v <i>(Converts pull to push Type)</i> <i>(Requires HF 9316)</i>	1994-99	Race/Rally	A	200	68-120	78-1002	Paddle	22.5 x 20T
						78-1002		22.5 x 20T
<hr/>								
LANDROVER								
Range Rover 3.5ltr,4.2ltr <i>(5 speed gearbox)</i>	1983-94	Road	N	267	60-2867	70-3955	40-2430	25.4 x 23T
		Race/Rally	N	267	60-2867	76-3955	40-2430	25.4 x 23T
<hr/>								
Landrover Freelander 2.0ltr TD4 <i>(Flywheel conversion required)</i>	2000 →	Road	N	240	60-2856	70-2857	N/A	25 x 14T
<hr/>								
Discovery 4.0ltr	1993-99	Road	N	267	60-2867	70-3955	40-2430	25.4 x 23T
<hr/>								
Defender 90/110/130 2.2Ltr -2.4Ltr TDCI	2007-16	Road	N	240	60-2875	70-4710	N/A	25.4 x 23T
		Race/Rally	N	240	60-2875	76-4710	N/A	25.4 x 23T
<hr/>								
Land Rover Defender TD5	1999-06	Road	N	267	60-2878	71-2879	40-2877	25.4 x 23T
		Race/Rally	N	267	60-2878	78-2879	40-2877	25.4 x 23T
<hr/>								
LEXUS								
IS 200 2.0ltr	1999 →	Road	N	225	60-2326	70-3600	40-4239	29 x 21T
		Race/Rally	N	225	60-2326	76-3600	40-4239	29 x 21T

Vehicle	Year	Application	Ø	Cover	Plate	Bearing	Spline	
LOTUS								
Carlton 3.6ltr Turbo	1990-94	Road	N	240	60-5201	71-5202	40-Included	28.6 x 26T
Carlton 3.6ltr Turbo <i>(Road Twin Plate Clutch)</i> (Requires flywheel HF 9242)	1990-94	Road	N	240	60-5214 80-3105A	71-5213 71-5215	40-Included	28.6 x 26T
Elan 1.6ltr <i>(Model ; M100)</i>	1986-89	Road	N	225	60-4822	70-4823	40-4824	25 x 14T
Esprit S1,S2 2.0ltr <i>(Eng ; 907)</i> <i>(Gearbox SM/C35)</i>	1976-80	Road Race/Rally	N N	215	60-5132	70-2618 76-2618	40-1221	24.4 x 21T 24.4 x 21T
Esprit S2.2,S3 2.2ltr <i>(Eng ; 912)</i> <i>(Gearbox SM/C35)</i>	1980-87	Road Race/Rally	N N	215	60-3518	70-2618 76-2618	40-2220	24.4 x 21T 24.4 x 21T
Esprit 2.2ltr Turbo <i>(Gearbox ; C35)</i>	1980-86	Road Race/Rally	N N	240	60-2499	70-3529 76-3529	40-1222	24.4 x 21T 24.4 x 21T
Esprit 2.2ltr Turbo <i>(Gearbox ; C35)</i>	1980-86	Road Race/Rally	N N	240	60-4694	70-3529 76-3529	40-1221	24.4 x 21T 24.4 x 21T
Note ;	Citroen gearbox SM fitted to all models 1980-86 Uprated unit SM/C35 fitted 1984 → Renault gearbox UN 1 fitted 1988 → in UK & Europe Renault gearbox UN 1 fitted 1989 → in USA							
Esprit 2.2ltr Turbo	1987 →	Road Race	N N	235	60-4820	70-4811 76-4811	40-4330	24 x 21T 24 x 21T
Esprit 2.2ltr Turbo		Road Race/Rally	N N	235	60-4830	70-4831 76-4831	40-4330	24 x 21T 24 x 21T

Vehicle	Year	Application	Ø	Cover	Plate	Bearing	Spline	
LOTUS (cont)								
Esprit 2.2ltr Turbo <i>(2.4ltr conversion)</i>		Road	N	240	60-4832	70-4833	40-4330	24 x 21T
		Race/Rally	N	240	60-4832	76-4833	40-4330	24 x 21T
Esprit 3.5ltr V8 <i>(Pull type twin plate clutch)</i>		Road	N	215	60-5150	71-5151 71-5152	40-5153	24 x 21T 24 x 21T
		Race/Rally	N	215	60-5150	78-5151 78-5152	40-5153	24 x 21T 24 x 21T
Elise 1.8ltr	1996 →	Road	N	215	60-4584	70-4585	40-3821	25.4 x 24T
Exige 1.8ltr Caterham	2005	Race/Rally	N	215	60-4584	76-4585	40-3821	25.4 x 24T
Elise 1.8ltr Exige 1.8ltr <i>(Toyota Eng ; (2FE, FEA 1.8VVTI)</i>	2005 →	Road	N	215	60-3849	70-3853	40-5889	24 x 21T
		Race/Rally	N	215	60-3851	76-3853	40-5889	24 x 21T
Excel	1982 →	Road	N	215	60-3518	70-2966	40-1223	29 x 21T
		Race/Rally	N	215	60-3518	76-2966	40-1223	29 x 21T

Vehicle	Year	Application	Ø	Cover	Plate	Bearing	Spline	
MAZDA								
323 1.6ltr Turbo 4wd (Model ; BF1) (Eng ; B6D3/B6F2)	1986-89	Road	N	225	60-3925	70-3923	40-4195	24 x 22T
		Race/Rally	N	225	60-3925	76-3923	40-4195	24 x 22T
<hr/>								
323 1.8ltr Turbo 4wd (Model ; BG1) (Eng ; BP55)	1989-94	Road	N	230	60-3926	70-3924	40-4195	24 x 22T
		Race/Rally	N	230	60-3926	76-3924	40-4195	24 x 22T
<hr/>								
323 1.8ltr GT-R (Model ; BG1) (Eng ; BP5J)	1991-94	Road	N	230	60-3928	70-3924	40-4195	24 x 22T
		Race/Rally	N	230	60-3928	76-3924	40-4195	24 x 22T
<hr/>								
MX 5 1.6ltr (Model ; NB18) (Eng ; B6MU)	1990 →	Road	N	200	60-3422	70-3423	40-3292	24 x 22T
		Race/Rally	N	200	60-3422	76-3423	40-3292	24 x 22T
<hr/>								
MX 5 1.8ltr (Model ; NB1,NB18) (Eng ; BP5A, BP6J) (5 speed)	1994 → 2003	Road	N	215	60-3430	70-3431	40-3292	24 x 22T
		Race/Rally	N	215	60-3430	76-3431	40-3292	24 x 22T
<hr/>								
MX 5 1.8ltr (Model ; NC18) (Eng ; L828) (5,6 speed gearbox)	11/05 →	Road	N	215	60-3436	70-3435 /3	40-3293	24.3 x 22T
		Race/Rally	N	215	60-3436	76-3435 /3	40-3293	24.3 x 22T
<hr/>								
MX 5 2.0ltr (Model ; NC18) (Eng ; LF62) (5,6 speed gearbox)	11/05 →	Road	N	215	60-3436	70-3435	40-3293	25.4 x 23T
		Race/Rally	N	215	60-3436	76-3435	40-3293	25.4 x 23T
<hr/>								
Xedos 6 1.6ltr	1993 →	Race/Rally	N	200	60-3422	76-3423	40-3294	24 x 22T
<hr/>								
RX7 Twin Turbo (Model ; FD1) (Eng ; N3D3,V3BB) (Pull type)	1992 →	Road	N	240	60-4643	70-4644	40-4645	26 x 23T
		Race/Rally	N	240	60-4643	76-4644	40-4645	26 x 23T
<hr/>								

Vehicle	Year	Application	Ø	Cover	Plate	Bearing	Spline	
MAZDA (cont)								
RX8 <i>(Model ; SE17)</i> <i>(Eng ; B13)</i>	2003 →	Road	N	240	60-4646	70-4647	40-4648	26 x 23T
		Race/Rally	N	240	60-4646	76-4647	40-4648	26 x 23T
		Race	N	240	60-4646	78-4647	40-4648	26 x 23T
<hr/>								
MINI								
Austin Morris / Rover				See Classic & Historic Catalogue				
<hr/>								
MINI (BMW)								
Mini Cooper 1.6ltr	2001-04	Road	N	200	60-2420	70-2421	40-5096	21 x 18T
		Race/Rally	N	200	60-2420	76-2421	40-5096	21 x 18T
<hr/>								
Mini Cooper S 1.6ltr <i>(Fitted with standard flywheel)</i>	2002-06	Road	N	215	60-2424	71-2425	40-3821	25 x 14T
		Race/Rally	N	215	60-2424	78-2425	40-3821	25 x 14T
<hr/>								
Mini Cooper S 1.6ltr <i>(Requires flywheel HF 9307)</i>	2002-06	Road	N	215	60-2442	70-2443	40-3821	25 x 14T
		Race/Rally	N	215	60-2442	76-2443	40-3821	25 x 14T
4 Piece clutch kit	2002-06	Road	N	215	35-7007	Organic Drive Plates		
		Race/Rally	N	215	95-7007	Ceramic Drive Plates		
<hr/>								
Mini Cooper 1.6ltr <i>(Eng ; N12B16A)</i>	2006 →	Road	N	200	60-2438	70-2439	40-2440	20 x 17T
		Race/Rally	N	200	60-2438	76-2439	40-2440	20 x 17T
<hr/>								
Mini Cooper S 1.6ltr <i>(Eng ; N14B16A)</i> <i>(Requires flywheel HF 9230)</i>	2006 →	Road	N	228	60-2432	70-2433	40-2434	22.1 x 28T
		Race/Rally	N	228	60-2432	76-2433	40-2434	22.1 x 28T
4 Piece clutch kit	2006 →	Road	N	228	35-7008	Organic Drive Plates		
		Race/Rally	N	228	95-7008	Ceramic Drive Plates		
<hr/>								
Mini Cooper s 4wd <i>(Requires flywheel HF 9292)</i>	2009 →	Road	N	240	60-2436	70-2435	40-2437	22.1 x 28T
		Race/Rally	N	240	60-2436	76-2435	40-2437	22.1 x 28T
<hr/>								

Vehicle	Year	Application		Ø	Cover	Plate	Bearing	Spline
mitsubishi								
Colt 1.6ltr Turbo (Model ; C13A) (Eng ; 4G32)	1984-88	Road	N	215	60-4423	70-6102	40-1820	22.5 x 20T
		Race/Rally	N	215	60-4423	76-6102	40-1820	22.5 x 20T
Colt GTI 1.8ltr (Model ; C58A) (Eng ; 4G67)	1988-93	Road	N	215	60-4423	70-6102	40-1820	22.5 x 20T
		Race/Rally	N	215	60-4423	76-6102	40-1820	22.5 x 20T
Colt GTI 1.8ltr (Model ; CA5A) (Eng ; 4G93)	1991-97	Road	N	215	60-4423	70-6102	40-1820	22.5 x 20T
		Race/Rally	N	215	60-4423	76-6102	40-1820	22.5 x 20T
Galant VR4 2.0ltr (Model ; E38,E39)	1988-91	Road	N	225	60-4449	70-2318	40-1820	22.5 x 20T
		Race/Rally	N	225	60-4449	76-2318	40-1820	22.5 x 20T
Galant VR4 2.5ltr V6 (Model ; EC5W) (Eng ; 6A13)		Road	N	240	60-4468	70-4470	40-4462	25.4 x 23T
		Race/Rally	N	240	60-4469	76-4470	40-4462	25.4 x 23T
Mivec 1.6ltr Turbo	1991-07	Road	N	215	60-4423	70-2268	40-1820	22.5 x 20T
		Race/Rally	N	215	60-4423	76-2268	40-1820	22.5 x 20T
Shogun 3.5ltr V6 24v Pajero 3.5ltr V6 24v (Model ; V25W,V45W) (Eng ; 6G74)	1993-99	Road	N	250	60-5205	70-5206	40-4462	26 x 23T
		Race/Rally	N	250	60-5205	76-5206	40-4462	26 x 23T
		Race	N	250		78-5206		
Shogun 3.5ltr V6 24v Pajero 3.5ltr V6 24v (Model ; V65W,V75W) (Eng ; 6G74)	1999 →	Road	N	250	60-5208	70-5206	40-4462	26 x 23T
		Race/Rally	N	250	60-5208	76-5206	40-4462	26 x 23T
		Race	N	250		78-5206		
Shogun DID 3.2ltr Pajero DID 3.2ltr (Model ; V68W,V78W)	1999 →	Road	N	275	60-3246	70-3247	40-4462	26 x 23T
		Race/Rally	N	275	60-3246	76-3247	40-4462	26 x 23T

Vehicle	Year	Application	Ø	Cover	Plate	Bearing	Spline	
MITSUBISHI (cont)								
FTO 2.0ltr V6 <i>(Model ; DE2A,DE3A)</i> <i>(Eng ; 6A12)</i>	1995 →	Road	N	225	60-4442	70-4441	40-1820	22.5 x 20T
		Race/Rally	N	225	60-4442	76-4441	40-1820	22.5 x 20T
3000 GT	1990-93	Road	N	225	60-4449	70-2318	40-1820	22.5 x 20T
3000 GT 4wd Turbo	1992-2000	Road	N	250	60-4480	70-4481	40-4482	25.4 x 23T
Lancer Evo 1	1991-93	Road	N	225	60-4449	70-2318	40-1820	22.5 x 20T
Lancer Evo 2,3	1994-96	Race/Rally	N	225	60-4449	76-2318	40-1820	22.5 x 20T
Lancer Evo 4	1996-97	Road	N	230	60-4464	70-4465	40-4462	25.4 x 23T
Lancer Evo 5	1997-99	Race/Rally	N	230	60-4460	76-4461	40-4462	25.4 x 23T
Lancer Evo 6	1999-01	Race/Rally	N	230		77-4467	Alternative 6 Paddle	
		Race/Rally	N	230		78-4461		
		Race/Rally	N	230		78-4467	Alternative 6 Paddle	
Lancer Evo 5,6	1997-2001	Road	N	230	60-4463	70-4466	40-4462	25.4 x 23T
		Race/Rally	N	230	60-4463	77-4467	40-4462	25.4 x 23T
		Race/Rally	N	230		78-4461		
		Race/Rally	N	230		78-4467	Alternative 6 Paddle	
<i>(From 500nm/367ft lb torque → 600nm/441ft lb torque)</i>								
Lancer Evo 7	2001-03	Road	N	240	60-4472	70-4471	40-4462	25.4 x 23T
		Race/Rally	N	240	60-4474	76-4471	40-4462	25.4 x 23T
		Race/Rally	N	240	60-4474	77-4473	40-4462	25.4 x 23T
		Race/Rally	N	240		78-4471		
		Race/Rally	N	240		78-4473	Alternative 6 Paddle	
Lancer Evo 8	2003-04	Road	N	240	60-4475	70-4477	40-4462	25.4 x 23T
Lancer Evo 9	2005-08	Race/Rally	N	240	60-4476	76-4477	40-4462	25.4 x 23T
		Race/Rally	N	240		77-4478	Alternative 6 Paddle	
		Race/Rally	N	240		78-4477		
		(Flywheel HF 9219 or O.E)	Race/Rally	N	240		78-4478	Alternative 6 Paddle

Vehicle	Year	Application	Ø	Cover	Plate	Bearing	Spline
mitsubishi (cont)							
Lancer Evo 10 <i>(5 speed gearbox)</i>	2008 →	Road	N	240	60-4475	70-4477	40-4462 25.4 x 23T
		Race/Rally	N	240	60-4476	76-4477	40-4462 25.4 x 23T
		Race/Rally	N	240		77-4478	Alternative 6 Paddle
		Race/Rally	N	240		78-4477	
		Race/Rally	N	240		78-4478	Alternative 6 Paddle
Lancer Evo 5,6,7,8,9 <i>(All models)</i> <i>(Twin plate clutch 6 paddle)</i> <i>(Evo 5 → 9 Requires flywheel HF 9204)</i>	1996 →	Road	A	215	60-5210	71-5211 71-5212	40-4462 25.4 x 23T
		Race/Rally	A	215	60-5210	78-5211 78-5212	40-4462 25.4 x 23T
Twin plate clutch kit	1996 →	Road	A	215	35-7000		Organic Drive Plates
		Race/Rally	A	215	95-7000		Paddle Drive Plates
Lancer Evo 10 <i>(Twin plate clutch 6 paddle)</i> <i>(Evo 10 Requires flywheel HF 9232)</i>	2008 →	Road	A	215	60-5210	71-5211 71-5212	40-4462 25.4 x 23T
		Race/Rally	A	215	60-5210	78-5211 78-5212	40-4462 25.4 x 23T
Twin plate clutch kit	2008 →	Road	A	215	35-7012		Organic Drive Plates
		Race/Rally	A	215	95-7012		Paddle Drive Plates

Vehicle	Year	Application		Ø	Cover	Plate	Bearing	Spline
MG								
MGB K Series 1.8ltr	1962-81	Road	N	215	60-3331	70-2619	N/A	25.4 x 23T
		Race/Rally	N	215	60-3331	76-2619	N/A	25.4 x 23T
<hr/>								
MGF 1.8ltr	1995 →	Road	N	215	60-4584	70-4585	40-3821	25.4 x 24T
		Race/Rally	N	215	60-4584	76-4585	40-3821	25.4 x 24T
<hr/>								
MG ZR 105 1.4ltr 16v	2001-5 /2003	Road	N	200	60-3871	70-3876	40-5096	21 x 18T
		Race/Rally	N	200	60-3878	76-3876	40-5096	21 x 18T
<i>(Chassis No → 720772)</i>								
<hr/>								
MG ZR 105 1.4ltr 16v	6/2003 → 05	Road	N	200	60-3871	70-3865	40-5096	20 x 17T
		Race/Rally	N	200	60-3878	76-3865	40-5096	20 x 17T
<i>(Chassis No ; 720773 →)</i>								
<hr/>								
MG ZR 120 1.8ltr 16v	2001 →	Road	N	215	60-4584	70-4585	40-3821	25.4 x 24T
		Race/Rally	N	215	60-4584	76-4585	40-3821	25.4 x 24T
<hr/>								
MG ZR 160 VVC 1.8ltr 16v		Road	N	215	60-4584	70-4585	40-3821	25.4 x 24T
		Race/Rally	N	215	60-4584	76-4585	40-3821	25.4 x 24T
<hr/>								
MG ZS 120 1.8ltr 16v	2001-05	Road	N	215	60-4584	70-4585	40-3821	25.4 x 24T
		Race/Rally	N	215	60-4584	76-4585	40-3821	25.4 x 24T
<hr/>								
MG ZS 180 2.5ltr V6	2001-05	Road	N	228	60-4586	70-4587	40-3821	25.4 x 24T
		Race/Rally	N	228	60-4586	76-4587	40-3821	25.4 x 24T
<hr/>								
MG ZT 160/190 2.5ltr V6	2001-05	Road	N	228	60-4588	71-4589	N/A	25 x 14T
		Race/Rally	N	228	60-4588	78-4589	N/A	25 x 14T
<hr/>								

Vehicle	Year	Application		Ø	Cover	Plate	Bearing	Spline
NISSAN								
Almera GTI 2.0ltr 16v	1996-00	Road	N	215	60-2664	70-2667	40-3854	20 x 18T
		Race/Rally	N	215	60-2666	76-2667	40-3854	20 x 18T
<hr/>								
Micra 1.3ltr <i>(Must use 40-3875 release bearing)</i>	1993-02	Race/Rally	N	180	60-1220	76-6035	40-3875	20 x 18T
<hr/>								
Patrol GR 4.2ltr <i>(Eng ; TB42,42E)</i>	1992-98	Road	N	275	60-2676	70-2677	40-4299	25.6 x 24T
		Race/Rally	N	275	60-2676	76-2677	40-4299	25.6 x 24T
<hr/>								
Primera 2.0ltr 16v	1993-02	Road	N	215	60-2664	70-2667	40-3854	20 x 18T
		Race/Rally	N	215	60-2666	76-2667	40-3854	20 x 18T
<hr/>								
Primera 2.0ltr 16v <i>(Fitted with heavy duty gearbox)</i>	1993-02	Race/Rally	N	215	60-2666	76-2994	40-3854	25.6 x 24T
<hr/>								
Sunny March 1.3ltr	1990 →	Race/Rally	N	180	60-1220	76-4590	40-3875	20 x 18T
<hr/>								
Sunny GTI 2.0ltr 16v	1992-94	Road	N	215	60-2664	70-2667	40-3854	20 x 18T
		Race/Rally	N	215	60-2666	76-2667	40-3854	20 x 18T
<hr/>								
Sunny GTI-R 2.0ltr Turbo	1992-98	Road	N	240	60-2668	70-2669	40-4494	25.6 x 24T
Pulsar GTI-R 2.0ltr Turbo	1992-98	Race/Rally	N	240	60-2668	76-2669	40-4494	25.6 x 24T
<hr/>								
Skyline GTS R32	1989-94	Road	N	240	60-3123	70-6124	40-5723	25.6 x 24T
Skyline GTR R32 <i>(Eng ; RB25DET)</i>	1989-93	Race/Rally	N	240	60-3123	76-6124	40-5723	25.6 x 24T
<hr/>								
Skyline GTR R32 <i>(Eng ; RB26DTT)</i> <i>(Pull type)</i>	1993-94	Road	N	240	60-3125	70-6124	40-3131	25.6 x 24T
		Race/Rally	N	240	60-3125	76-6124	40-3131	25.6 x 24T
<hr/>								
Skyline GTS R33 <i>(Eng ; RB26DET)</i>	1994-99	Road	N	240	60-3123	70-6124	40-5723	25.6 x 24T
		Race/Rally	N	240	60-3123	76-6124	40-5723	25.6 x 24T
<hr/>								

Vehicle	Year	Application	Ø	Cover	Plate	Bearing	Spline	
NISSAN (cont)								
Skyline GTR R33 (Eng ; RB26DETT) (Pull type)	1994-99	Road	N	250	60-3129	70-6130	40-3131	25.6 x 24T
		Race/Rally	N	250	60-3132	76-6130	40-3131	25.6 x 24T
<hr/>								
Skyline GTR R34 (Eng ; RB26DETT) (Pull type)	1999 →	Road	N	250	60-3134	70-6135	40-3131	25.6 x 24T
		Race/Rally	N	250	60-3134	76-6135	40-3131	25.6 x 24T
<hr/>								
200 SX S13 1.8ltr Turbo (From 6/1990 use bearing 40-1062)	1989-94	Road	N	225	60-4656	70-4657	40-5723	25.6 x 24T
		Race/Rally	N	225	60-4656	76-4657	40-5723	25.6 x 24T
							40-1062	
<hr/>								
200 SX S14 2.0ltr Turbo	1994-01	Road	N	240	60-2668	70-2669	40-1062	25.6 x 24T
		Race/Rally	N	240	60-2668	76-2669	40-1062	25.6 x 24T
<hr/>								
200 SX S15 2.0ltr Turbo	2002 →	Road	N	240	60-2668	70-2669	40-5724	25.6 x 24T
		Race/Rally	N	240	60-2668	76-2669	40-5724	25.6 x 24T
<hr/>								
300ZX Turbo (Chassis No ; Z31) (Eng ; VG30T)	1984-89	Road	N	250	60-4652	70-4653	40-1062	25.6 x 24T
		Race/Rally	N	250	60-4652	76-4653	40-1062	25.6 x 24T
<hr/>								
300ZX Twin Turbo (Chassis No ; Z32) (Eng ; VG30DETT)	1990-98	Road	N	250	60-3121	70-6130	40-5723	25.6 x 24T
		Race/Rally	N	250	60-3121	76-6130	40-5723	25.6 x 24T
<hr/>								
350Z (Eng ; VQ35DE)	2003-06	Road	N	250	60-3140	70-6141	40-5724	25.6 x 24T
		Race/Rally	N	250	60-3140	76-6141	40-5724	25.6 x 24T
		Race/Rally	N	250	60-3140	78-6141	40-5724	25.6 x 24T
<hr/>								
350Z (Eng ; VQ35HR)	2007-09	Road	N	250	60-3142	70-6141	41-5725	25.6 x 24T
		Race/Rally	N	250	60-3142	76-6141	41-5725	25.6 x 24T
		Race/Rally	N	250	60-3142	78-6141	41-5725	25.6 x 24T
<hr/>								
370Z (Eng ; VQ37)	2009 →	Road	N	250	60-3142	70-6141	41-5725	25.6 x 24T
		Race/Rally	N	250	60-3142	76-6141	41-5725	25.6 x 24T
		Race/Rally	N	250	60-3142	78-6141	41-5725	25.6 x 24T

Vehicle	Year	Application		Ø	Cover	Plate	Bearing	Spline
NOBLE								
Nobel M12 <i>(5 speed gearbox)</i>		Road	N	240	60-5252	70-5253	41-2364	25.4 x 23T
		Race/Rally	N	240	60-5252	76-5253	41-2364	25.4 x 23T
Nobel M12 3R <i>(6 speed gearbox)</i>		Road	N	240	60-5254	70-5255	41-2366	25.4 x 23T
		Race/Rally	N	240	60-5254	76-5255	41-2366	25.4 x 23T
Nobel M400 <i>(6 speed gearbox)</i>		Road	N	240	60-5254	70-5255	41-2366	25.4 x 23T
		Race/Rally	N	240	60-5254	76-5255	41-2366	25.4 x 23T
OPEL								
Ascona C 1.6ltr <i>(F13 gearbox)</i>	1986-88	Road	N	200	60-3726	70-3879	40-3683	20.4 x 24T
		Race/Rally	N	200	60-3726	76-3879	40-3683	20.4 x 24T
Ascona C 1.6ltr <i>(F16 gearbox)</i>	1986-88	Road	N	200	60-3726	70-3879	40-3684	20.4 x 24T
		Race/Rally	N	200	60-3726	76-3879	40-3684	20.4 x 24T
Ascona C 1.8ltr	1986-88	Road	N	215	60-4558	70-4554	40-3684	20.4 x 24T
		Race/Rally	N	215	60-4558	76-4554	40-3684	20.4 x 24T
Ascona C 1.8ltr <i>(F16 gearbox)</i>	1986-88	Road	N	215	60-4558	70-4554	40-3684	20.4 x 24T
		Race/Rally	N	215	60-4558	76-4554	40-3684	20.4 x 24T
Ascona C 2.0ltr	1986-88	Road	N	215	60-4558	70-4554	40-3684	20.4 x 24T
		Race/Rally	N	215	60-4558	76-4554	40-3684	20.4 x 24T
Ascona 400	1975-83	Road	N	228	60-4639	70-2200	40-3683	25 x 14T
		Race/Rally	N	228	60-4639	76-2200	40-3683	25 x 14T

Vehicle	Year	Application	Ø	Cover	Plate	Bearing	Spline	
OPEL (cont)								
Astra F 1.8ltr 16v	1984-91	Road	N	215	60-4555	70-4554	40-3684	20.4 x 24T
Astra F 2.0ltr 16v (Eng ; X20XE)		Race/Rally	N	215	60-4555	76-4554	40-3684	20.4 x 24T
<i>Above fitted competition gear set to F16</i>		Race/Rally	N	215	60-4555	76-4557	40-3684	22.5 x 20T
<hr/>								
Astra F GSI 2.0ltr 16v (Eng ; C20XE)	1988-92	Road	N	228	60-4626	70-4627	40-3684	20.4 x 24T
		Race/Rally	N	228	60-4626	76-4627	40-3684	20.4 x 24T
					60-4626	78-4627	40-3684	20.4 x 24T
<i>Above fitted competition gear set to F20</i>		Race/Rally	N	228	60-4626	76-4625	40-3684	22.5 x 20T
<hr/>								
Astra F GSI 2.0ltr 16v (Eng ; C20XE)	1992-98	Road	N	228	60-4990	70-4627	40-3684	20.4 x 24T
	1992-98	Race/Rally	N	228	60-4990	76-4627	40-3684	20.4 x 24T
<i>Above fitted competition gear set to F20</i>		Race/Rally	N	228	60-4990	76-4625	40-3684	22.5 x 20T
<hr/>								
Astra G 2.0ltr 16v (Eng ; X20XE) (F18 gearbox)	1998 →	Road	N	215	60-4555	70-4554	41-3687	20.4 x 24T
		Race/Rally	N	215	60-4555	76-4554	41-3687	20.4 x 24T
<hr/>								
Astra G 2.0ltr 16v (Eng ; X20XE) (F32 gearbox)	1998 →	Road	N	228	60-4990	70-4993	41-3685	25 x 14T
		Race/Rally	N	228	60-4990	76-4993	41-3685	25 x 14T
<hr/>								
Astra G Coupe 2.0ltr	2000-04	Road	N	228	60-4996	70-4993	41-3685	25 x 14T
Astra G SRI 2.0ltr Turbo (Eng ; Z20LET,Z20LER)	2002-05	Race/Rally	N	228	60-4996	76-4993	41-3685	25 x 14T
<hr/>								
Astra G Coupe & 2.2ltr (Eng ; Z22SE)	2000-04	Road	N	228	60-4995	70-4993	41-3685	25 x 14T

Vehicle	Year	Application	Ø	Cover	Plate	Bearing	Spline	
OPEL (cont)								
Astra H 2.0ltr Turbo (Eng ; Z20LEL,Z20LER) (To fit twin mass flywheel)	2004 →	Road	N	228	60-4976	71-4975	41-3690	22.5 x 20T
		Race/Rally	N	228	60-4976	78-4975	41-3690	22.5 x 20T
Astra H 2.0ltr Turbo (Eng ; Z20LEL,Z20LER) (Requires flywheel HF 9260)	2004 →	Road	N	228	60-4978	70-4977	41-3690	22.5 x 20T
		Race/Rally	N	228	60-4979	76-4977	41-3690	22.5 x 20T
Astra H VXR 2.0ltr Turbo (Eng ; Z20LEH) (Requires flywheel HF 9225)	2006 →	Road	N	240	60-4980	70-4981	41-3691	22.5 x 20T
		Race/Rally	N	240	60-4984	76-4981	41-3691	22.5 x 20T
Astra H GTC 2.0ltr Turbo (Eng ; Z20LEH) (To fit twin mass flywheel)	2006 →	Road	N	240	60-4560	71-4559	41-3691	22.5 x 20T
		Race/Rally	N	240	60-4560	78-4559	41-3691	22.5 x 20T
Astra H GTC 2.0ltr Turbo (Eng ; Z20LEH) (Flywheel HF 9458)	2006 →	Road	N	240	60-4560	70-4559	41-3691	22.5 x 20T
		Race/Rally	N	240	60-4560	76-4559	41-3691	22.5 x 20T
Astra J GTC 2.0ltr Turbo (Eng ; A20NFT) (F40 gearbox) (Flywheel HF 9538)	2009 →	Road	N	240	60-4562	70-4563	41-3693	25.4 x 23T
		Race/Rally	N	240	60-4562	76-4563	41-3693	25.4 x 23T
Calibra 2.0ltr 16v (Eng ; C20XE) (Eng No → 14128448)	1988-92	Road	N	228	60-4626	70-4627	40-3684	20.4 x 24T
		Race/Rally	N	228	60-4626	76-4627	40-3684	20.4 x 24T
		Race	N	228	60-4626	78-4627	40-3684	20.4 x 24T
		Above fitted competition gear set to F20	Race/Rally	N	228	60-4626	76-4625	40-3684
Calibra 2.0ltr 16v (Eng ; C20XE) (Eng No ; 14128449 →)	1988-92	Road	N	228	60-4626	70-4627	40-3684	20.4 x 24T
		Race/Rally	N	228	60-4626	76-4627	40-3684	20.4 x 24T
					60-4626	78-4627	40-3684	20.4 x 24T
		Above fitted competition gear set to F20	Race/Rally	N	228	60-4626	76-4625	40-3684

Vehicle	Year	Application	Ø	Cover	Plate	Bearing	Spline		
OPEL (cont)									
Calibra 2.0ltr Turbo (Eng ; C20LET)	1992-96	Road	N	228	60-4992	70-4993	40-3684	25 x 14T	
		Race/Rally	N	228	60-4992	76-4993	40-3684	25 x 14T	
<hr/>									
Corsa A 1.3ltr (Eng ; C13N,13SB)	1986-90	Road	N	190	60-3677	70-3676	40-3683	19 x 14T	
		Race/Rally	N	190	60-3677	76-3676	40-3683	19 x 14T	
<hr/>									
Corsa B 1.4ltr 8v (Eng ; C14SE) (Gearbox F10,F13)	1993-00								
		<i>Above fitted competition gear set</i>	Race/Rally	N	190	60-3677	76-2262	40-3683	22.5 x 20T
		<i>Above fitted F16 gearbox - STD gears</i>	Road	N	190	60-3677	70-2263	40-3684	20.4 x 24T
			Race/Rally	N	190	60-3677	76-2263	40-3684	20.4 x 24T
<hr/>									
Corsa A GSI 1.6ltr 16v (Eng ; C16SEI,E16SE,C16SE)	1988-93	Road	N	200	60-3838	70-3884	40-3683	19 x 14T	
		Race/Rally	N	200	60-3838	76-3884	40-3683	19 x 14T	
		<i>Above fitted competition gear set</i>	Race/Rally	N	200	60-3838	76-3886	40-3683	22.5 x 20T
		<i>Above fitted F16 gearbox - STD gears</i>	Road	N	200	60-3838	70-3879	40-3684	20.4 x 24T
			Race/Rally	N	200	60-3838	76-3879	40-3684	20.4 x 24T
<hr/>									
Corsa B GSI 1.6ltr 16v (Eng ; C16SEL,C16XE,X16XE)	1993-00	Road	N	200	60-6008	70-3884	40-3683	19 x 14T	
		Race/Rally	N	200	60-6008	76-3884	40-3683	19 x 14T	
		<i>Above fitted competition gear set to F13</i>	Race/Rally	N	200	60-6008	76-3886	40-3683	22.5 x 20T
		<i>Above fitted F16 gearbox - STD gears</i>	Road	N	200	60-6008	70-3879	40-3684	20.4 x 24T
			Race/Rally	N	200	60-6008	76-3879	40-3684	20.4 x 24T
<hr/>									
Corsa A/B GSI 1.6ltr 16v	1988 →	Race/Rally	A	200	68-120R	77-2252	40-4231	22.5 x 20T	
<hr/>									
Corsa C 1.4ltr 16v (Eng ; Z14XE)	2000 →	Road	N	200	60-3839	70-3884	40-3689	19 x 14T	
		Race/Rally	N	200	60-3839	76-3884	40-3689	19 x 14T	
<hr/>									
Corsa C 1.8ltr 16v (Eng ; Z18XE)	2000 →	Road	N	200	60-3839	70-3884	40-3689	19 x 14T	
		Race/Rally	N	200	60-3839	76-3884	40-3689	19 x 14T	
<hr/>									

Vehicle	Year	Application	Ø	Cover	Plate	Bearing	Spline	
OPEL (cont)								
Corsa D 1.6ltr Turbo (Eng ; Z16LER) (Requires flywheel HF 9258)	2007 →	Road	N	228	60-4620	70-4623	40-3690	22.5 x 20T
		Race/Rally	N	228	60-4620	76-4623	40-3690	22.5 x 20T
<hr/>								
Kadett E GSI 1.8ltr (Eng ; 18E)	1984-91	Road	N	215	60-4558	70-4554	40-3684	20.4 x 24T
		Race/Rally	N	215	60-4558	76-4554	40-3684	20.4 x 24T
		Above fitted competition gear set to F16	Race/Rally	N	215	60-4558	76-4557	40-3684
<hr/>								
Kadett E GSI 2.0ltr (Eng ; C20NE)	1984-91	Road	N	215	60-4558	70-4554	40-3684	20.4 x 24T
		Race/Rally	N	215	60-4558	76-4554	40-3684	20.4 x 24T
		Above fitted competition gear set to F16	Race/Rally	N	215	60-4558	76-4557	40-3684
<hr/>								
Omega Lotus 3.6ltr Turbo	1990-94	Road	N	240	60-5201	70-5202	40-Included	28.6 x 26T
<hr/>								
Omega Lotus 3.6ltr Turbo (Twin plate clutch) (Requires flywheel HF 9242)	1990-94	Road	N	240	60-5214	71-5213	40-Included	28.6 x 26T
				80-3105A	71-5215			
<hr/>								
Vectra DI 2.0ltr 16v	1996-00	Road	N	228	60-4988	70-4989	41-3687	20.4 x 24T
Vectra DTI 2.0ltr 16v (Fitted F18 gearbox)	1997-00	Race/Rally	N	228	60-4988	76-4989	41-3687	20.4 x 24T
<hr/>								
Vectra DI 2.0ltr 16v	1996-00	Road	N	228	60-4988	70-4991	41-3688	25 x 14T
Vectra DTI 2.0ltr 16v (Fitted F23 gearbox)	1997-00	Race/Rally	N	228	60-4988	76-4991	41-3688	25 x 14T
<hr/>								
Vectra SRI 2.5ltr V6 (Eng ; X25XE)	1995-00	Road	N	228	60-4997	70-4994	41-3686	24 x 14T
<hr/>								
Vectra SRI 2.5ltr V6 (Challenge)	1998 →	Race/Rally	N	228	60-4997	76-4998	41-3686	22.5 x 20T
<hr/>								

Vehicle	Year	Application		Ø	Cover	Plate	Bearing	Spline
PEUGEOT								
106 Rallye 1.3ltr	1994-96	Road	N	180	60-3703	70-4790	40-1748	21 x 18T
		Race/Rally	N	180	60-3703	76-4790	40-1748	21 x 18T
<hr/>								
106 1.6ltr & GTI Rallye	1993-98	Road	N	200	60-3874	70-3873	40-5967	21 x 18T
106 GTI 1.6ltr 16v <i>(Eng ; TU5J4)</i>	1996-98	Race/Rally	N	200	60-3872	76-3873	40-5967	21 x 18T
<hr/>								
106 GTI 1.6ltr 16v	1998-00	Road	N	200	60-3874	70-3873	40-5967	21 x 18T
		Race/Rally	N	200	60-3872	76-3873	40-5967	21 x 18T
<hr/>								
106 GTI 1.6ltr 16v	2000 →	Road	N	200	60-3861	70-3873	40-5967	21 x 18T
		Race/Rally	N	200	60-3862	76-3873	40-5967	21 x 18T
<hr/>								
106 RC Cup		Race/Rally	N	200	60-3862	76-3877	40-5968	22.5 x 20T
<hr/>								
107 1.0ltr 12v <i>(Eng ; 1KR)</i>	2006 →	Road	N	190	60-3840	70-3831	40-3707	22.5 x 19T
		Race/Rally	N	190	60-3842	76-3831	40-3707	22.5 x 19T
<hr/>								
205 Rallye 1.3ltr	1987-94	Road	N	180	60-3703	70-4789	40-1748	21 x 18T
		Race/Rally	N	180	60-3703	76-4789	40-1748	21 x 18T
<hr/>								
205 GTI 1.6ltr & GTI 1.9ltr <i>(Fitted with ball pin release fork gearbox)</i>	1984-89	Road	N	200	60-3867	70-3868	40-3869	21 x 18T
		Race/Rally	N	200	60-3867	76-3868	40-3869	21 x 18T
<hr/>								
205 GTI 1.6ltr & GTI 1.9ltr <i>(Fitted with cross shaft release fork gearbox)</i>	1989-94	Road	N	200	60-3867	70-3868	40-1748	21 x 18T
		Race/Rally	N	200	60-3867	76-3868	40-1748	21 x 18T
<hr/>								
205 GTI Turbo 1.9ltr <i>(Fitted with ball pin release fork gearbox) (Requires 215mm flywheel replacement from 1.9ltr diesel)</i>	1987-89	Road	N	215	60-4800	70-4801	40-3869	21 x 18T
		Race/Rally	N	215	60-4802	76-4801	40-3869	21 x 18T

Vehicle	Year	Application	Ø	Cover	Plate	Bearing	Spline	
PEUGEOT (cont)								
205 GTI Turbo 1.9ltr	1989-94	Road	N	215	60-4800	70-4801	40-1748	21 x 18T
		Race/Rally	N	215	60-4802	76-4801	40-1748	21 x 18T
<i>(Fitted with cross shaft release fork gearbox)</i>								
<i>(Requires 215mm flywheel replacement from 1.9ltr diesel)</i>								
<hr/>								
205 Turbo 1.8ltr 16v <i>(Eng ; XU8T)</i>	1984-90	Road	N	225	60-4878	70-4879	40-4719	24.3 x 21T
		Race/Rally	N	225	60-4878	76-4879	40-4719	24.3 x 21T
<hr/>								
206 1.6ltr <i>(Eng ; TU5JP, TU5J4)</i>	2/98 →	Road	N	200	60-3874	70-3873	40-5967	21 x 18T
		Race/Rally	N	200	60-3872	76-3873	40-5967	21 x 18T
<hr/>								
206 1.6ltr 16v <i>(Eng ; TU5JP4)</i>	9/00 →	Road	N	200	60-3861	70-3873	40-5967	21 x 18T
		Race/Rally	N	200	60-3862	76-3873	40-5967	21 x 18T
<hr/>								
206 GTI 2.0ltr	1998 →	Road	N	230	60-4938	70-4936	40-4937	21 x 18T
		Race/Rally	N	230	60-4935	76-4936	40-4937	21 x 18T
<hr/>								
206 GTI 180 2.0ltr	2003 →	Road	N	230	60-4938	70-4936	40-4937	21 x 18T
		Race/Rally	N	230	60-4935	76-4936	40-4637	21 x 18T
<i>(206 GTI clutches must be fitted as a set of cover and drive plate DO NOT mix with standard clutch units)</i>								
<hr/>								
206 RC Cup		Race/Rally	N	235	60-4932	76-4933	40-5968	24 x 21T
<hr/>								
206 HDI Turbo 2.0ltr <i>(Eng ; EW10)</i> <i>(Push type)</i>	1999 →	Road	N	230	60-4939	70-4940	40-4937	21 x 18T
<hr/>								
207 1.6ltr 16v <i>(Eng ; TU5JP4)</i>	03/06 →	Road	N	200	60-3861	70-3873	40-4937	21 x 18T
		Race/Rally	N	200	60-3862	76-3873	40-4937	21 x 18T
<hr/>								
207 1.6ltr 16v Turbo <i>(Eng ; EP6DT, EP6DTS)</i> <i>(Flywheel HF 9493)</i>	02/06 →	Road	N	228	60-4942	70-4944	40-4937	21 x 18T
		Race/Rally	N	228	60-4942	76-4944	40-4937	21 x 18T
<hr/>								

Vehicle	Year	Application	Ø	Cover	Plate	Bearing	Spline	
PEUGEOT (cont)								
207 1.6ltr 16v GTI (Eng ; 5FY) <i>TransmissionType; BE4R</i>	02/07 →	Road	N	228	60-4942	70-4944	40-4937	21 x 18T
		Race/Rally	N	228	60-4942	76-4944	40-4937	21 x 18T
<hr/>								
207 1.6ltr 16v Turbo (Eng ; 5FX) <i>TransmissionType; BE4R</i>	02/06 →	Road	N	228	60-4942	70-4944	40-4937	21 x 18T
		Race/Rally	N	228	60-4942	76-4944	40-4937	21 x 18T
<hr/>								
207 1.6ltr HDI (Eng ; 9HP) <i>TransmissionType; BE4R</i>	11/09 →	Road	N	228	60-4942	70-4944	40-4937	21 x 18T
		Race/Rally	N	228	60-4942	76-4944	40-4937	21 x 18T
<hr/>								
207 CC 1.6ltr 16v Turbo (Eng ; 5FX) <i>TransmissionType; BE4R</i>	02/07 →	Road	N	228	60-4942	70-4944	40-4937	21 x 18T
		Race/Rally	N	228	60-4942	76-4944	40-4937	21 x 18T
<hr/>								
207 SW 1.6ltr 16v GTI (Eng ; 5FY) <i>TransmissionType; BE4R</i>	02/07 →	Road	N	228	60-4942	70-4944	40-4937	21 x 18T
		Race/Rally	N	228	60-4942	76-4944	40-4937	21 x 18T
<hr/>								
207 SW 1.6ltr HDI (Eng ; 9HP) <i>TransmissionType; BE4R</i>	11/09 →	Road	N	228	60-4942	70-4944	40-4937	21 x 18T
		Race/Rally	N	228	60-4942	76-4944	40-4937	21 x 18T
<hr/>								
208 1.6ltr (Eng ; 5FS)	03/12 →	Road	N	228	60-4501	70-4502	41-4503	22 x 26T
		Race/Rally	N	228	60-4501	76-4502	41-4503	22 x 26T
<hr/>								
208 1.6ltr GTI (Eng ; 5FU)	03/12 →	Road	N	228	60-4501	70-4502	41-4503	22 x 26T
		Race/Rally	N	228	60-4501	76-4502	41-4503	22 x 26T
<hr/>								
208 1.6ltr GTI (Eng ; 5GR)	10/14 →	Road	N	228	60-4501	70-4502	41-4503	22 x 26T
		Race/Rally	N	228	60-4501	76-4502	41-4503	22 x 26T
<hr/>								
208 1.6ltr HDI (Eng ; 9HJ, 9HP) <i>TransmissionType; BE4R</i>	03/12 →	Road	N	228	60-4942	70-4944	40-4937	21 x 18T
		Race/Rally	N	228	60-4942	76-4944	40-4937	21 x 18T
<hr/>								

Vehicle	Year	Application		Ø	Cover	Plate	Bearing	Spline
PEUGEOT (cont)								
306 1.6ltr	1994-98	Road	N	200	60-3874	70-3870	40-5967	21 x 18T
		Race/Rally	N	200	60-3872	76-3870	40-5967	21 x 18T
306 1.6ltr	2/98-00	Road	N	200	60-3874	70-3873	40-5967	21 x 18T
		Race/Rally	N	200	60-3872	76-3873	40-5967	21 x 18T
306 1.6ltr 16v	2000-01	Road	N	200	60-3861	70-3873	40-5967	21 x 18T
		Race/Rally	N	200	60-3862	76-3873	40-5967	21 x 18T
306 S16 2.0ltr <i>(Pull type)</i>	11/93- 96	Road	N	215	60-5104	70-5106	40-Included	21 x 18T
306 GTI-6 2.0ltr	1996-00	Race/Rally	N	215	60-5105	76-5106	40-Included	21 x 18T
306 HDI 2.0ltr Turbo	1999-01	Road	N	230	60-4939	70-4940	40-5967	21 x 18T
307 1.6ltr 16v <i>(Eng ; TU5JP4)</i>	2001 →	Road	N	200	60-3861	70-3873	40-5967	21 x 18T
		Race/Rally	N	200	60-3862	76-3873	40-5967	21 x 18T
307 2.0ltr 16v	2001 →	Road	N	230	60-4938	70-4936	40-4937	21 x 18T
307 HDI 2.0ltr Turbo	2001 →	Road	N	230	60-4939	70-4940	40-4937	21 x 18T
308 1.6ltr 16v <i>(Eng ; 5FX)</i> <i>TransmissionType; BE4R</i>	09/07 →	Road	N	228	60-4942	70-4944	40-4937	21 x 18T
		Race/Rally	N	228	60-4942	76-4944	40-4937	21 x 18T
308 1.6ltr 16v <i>(Eng ; 5FV)</i>	10/09 →	Road	N	228	60-4501	70-4502	41-4503	22 x 26T
		Race/Rally	N	228	60-4501	76-4502	41-4503	22 x 26T
308 1.6ltr GTI <i>(Eng ; EP6CDTX)</i>	07/10 →	Road	N	228	60-4501	70-4502	41-4503	22 x 26T
		Race/Rally	N	228	60-4501	76-4502	41-4503	22 x 26T
308 1.6ltr HDI <i>(Eng ; 9HJ, 9HP)</i> <i>TransmissionType; BE4R</i>	11/09 →	Road	N	228	60-4942	70-4944	40-4937	21 x 18T
		Race/Rally	N	228	60-4942	76-4944	40-4937	21 x 18T

Vehicle	Year	Application		Ø	Cover	Plate	Bearing	Spline
PEUGEOT (cont)								
308 CC 1.6ltr 16v (Eng ; 5FX) <i>TransmissionType; BE4R</i>	06/09 →	Road	N	228	60-4942	70-4944	40-4937	21 x 18T
		Race/Rally	N	228	60-4942	76-4944	40-4937	21 x 18T
<hr/>								
308 CC 1.6ltr 16v (Eng ; 5FV)	06/09 →	Road	N	228	60-4501	70-4502	41-4503	22 x 26T
		Race/Rally	N	228	60-4501	76-4502	41-4503	22 x 26T
<hr/>								
308 CC 1.6ltr THP (Eng ; EP6CDTX)	10/10 →	Road	N	228	60-4501	70-4502	41-4503	22 x 26T
		Race/Rally	N	228	60-4501	76-4502	41-4503	22 x 26T
<hr/>								
308 SW 1.6ltr 16v (Eng ; 5FV)	10/09 →	Road	N	228	60-4501	70-4502	41-4503	22 x 26T
		Race/Rally	N	228	60-4501	76-4502	41-4503	22 x 26T
<hr/>								
308 II 1.2ltr THP 130 (Eng ; HNY)	11/13 →	Road	N	228	60-4501	70-4502	41-4503	22 x 26T
		Race/Rally	N	228	60-4501	76-4502	41-4503	22 x 26T
<hr/>								
308 II 1.6ltr THP 125 (Eng ; 5FA)	09/13 →	Road	N	228	60-4501	70-4502	41-4503	22 x 26T
		Race/Rally	N	228	60-4501	76-4502	41-4503	22 x 26T
<hr/>								
308 II 1.6ltr (Eng ; 5FV)	09/13 →	Road	N	228	60-4501	70-4502	41-4503	22 x 26T
		Race/Rally	N	228	60-4501	76-4502	41-4503	22 x 26T
<hr/>								
308 II 1.6ltr HDI (Eng ; 9HJ, 9HP) <i>TransmissionType; BE4R</i>	09/13 →	Road	N	228	60-4942	70-4944	40-4937	21 x 18T
		Race/Rally	N	228	60-4942	76-4944	40-4937	21 x 18T
<hr/>								
308 SW 1.6ltr 16v (Eng ; 5FX) <i>TransmissionType; BE4R</i>	09/07 →	Road	N	228	60-4942	70-4944	40-4937	21 x 18T
		Race/Rally	N	228	60-4942	76-4944	40-4937	21 x 18T
<hr/>								
308 SW 1.6ltr HDI (Eng ; 9HP) <i>TransmissionType; BE4R</i>	11/09 →	Road	N	228	60-4942	70-4944	40-4937	21 x 18T
		Race/Rally	N	228	60-4942	76-4944	40-4937	21 x 18T
<hr/>								
308 II GT 205	06/14 →	Road	N	228	60-4501	70-4502	41-4503	22 x 26T
		Race/Rally	N	228	60-4501	76-4502	41-4503	22 x 26T
<hr/>								

Vehicle	Year	Application	Ø	Cover	Plate	Bearing	Spline	
PEUGEOT (cont)								
308 II SW 1.2ltr THP 130 <i>(Eng ; HNY)</i>	03/14 →	Road	N	228	60-4501	70-4502	41-4503	22 x 26T
		Race/Rally	N	228	60-4501	76-4502	41-4503	22 x 26T
<hr/>								
308 II SW 1.6ltr THP 125	03/14 →	Road	N	228	60-4501	70-4502	41-4503	22 x 26T
		Race/Rally	N	228	60-4501	76-4502	41-4503	22 x 26T
<hr/>								
308 II SW 1.6ltr THP 155 <i>(Eng ; 5FV)</i>	03/14 →	Road	N	228	60-4501	70-4502	41-4503	22 x 26T
		Race/Rally	N	228	60-4501	76-4502	41-4503	22 x 26T
<hr/>								
308 II SW 1.6ltr GT 205	06/14 →	Road	N	228	60-4501	70-4502	41-4503	22 x 26T
		Race/Rally	N	228	60-4501	76-4502	41-4503	22 x 26T
<hr/>								
308 II SW 1.6ltr HDI 92	03/14 →	Road	N	228	60-4942	70-4944	40-4937	21 x 18T
		Race/Rally	N	228	60-4942	76-4944	40-4937	21 x 18T
<hr/>								
309 GTI 1.6ltr & GTI <i>(Fitted with ball pin release fork gearbox)</i>	1986-89	Road	N	200	60-3867	70-3868	40-3869	21 x 18T
		Race/Rally	N	200	60-3867	76-3868	40-3869	21 x 18T
<hr/>								
309 GTI 1.6ltr & GTI <i>(Fitted with cross shaft release fork gearbox)</i>	1989-92	Road	N	200	60-3867	70-3868	40-1748	21 x 18T
		Race/Rally	N	200	60-3867	76-3868	40-1748	21 x 18T
<hr/>								
405 MI 1.9ltr 16v <i>(Push type)</i>	1988-92	Road	N	215	60-4802	70-4801	40-1748	21 x 18T
		Race/Rally	N	215	60-4802	76-4801	40-1748	21 x 18T
<hr/>								
405 MI 2.0ltr 16v <i>(Pull type)</i>	1992-94	Road	N	215	60-5104	70-5106	40-Included	21 x 18T
		Race/Rally	N	215	60-5105	76-5106	40-Included	21 x 18T
<hr/>								
405 2.0ltr Turbo 16v	1992-96	Road	N	235	60-5120	70-5121	40-Included	24 x 21T
<hr/>								
406 2.0ltr 16v <i>(Eng ; RFV) (Pull type)</i>	1996-99	Road	N	215	60-5104	70-5106	40-Included	21 x 18T
		Race/Rally	N	215	60-5105	76-5106	40-Included	21 x 18T
<hr/>								

Vehicle	Year	Application		Ø	Cover	Plate	Bearing	Spline
PEUGEOT (cont)								
406 2.0ltr 16v (Eng ; RFR,RFN)	1999 →	Road	N	230	60-4938	70-4936	40-4937	21 x 18T
		Race/Rally	N	230	60-4935	76-4936	40-4937	21 x 18T
406 3.0ltr V6 24v (Pull type)	1996 →	Road	N	240	60-5126	70-5127	40-Included	24 x 21T
		Race/Rally	N	240	60-5126	76-5127	40-Included	24 x 21T
406 HDI 2.2ltr (Pull type)	2000 →	Road	N	240	60-5124	71-5125	40-5126	24 x 21T
		Race/Rally	N	240	60-5124	78-5125	40-5126	24 x 21T
508 I 1.6ltr THP (Eng ; 5FV)	11/10 →	Road	N	228	60-4501	70-4502	41-4503	22 x 26T
		Race/Rally	N	228	60-4501	76-4502	41-4503	22 x 26T
508 SW I 1.6ltr THP (Eng ; 5FV)	11/10 →	Road	N	228	60-4501	70-4502	41-4503	22 x 26T
		Race/Rally	N	228	60-4501	76-4502	41-4503	22 x 26T
2008 1.2ltr THP 130 (Eng ; HNY)	01/15 →	Road	N	228	60-4501	70-4502	41-4503	22 x 26T
		Race/Rally	N	228	60-4501	76-4502	41-4503	22 x 26T
3008 1.2ltr MPV (Eng ; HNY)	01/15 →	Road	N	228	60-4501	70-4502	41-4503	22 x 26T
		Race/Rally	N	228	60-4501	76-4502	41-4503	22 x 26T
3008 1.6ltr MPV THP (Eng ; 5FV)	06/09 →	Road	N	228	60-4501	70-4502	41-4503	22 x 26T
		Race/Rally	N	228	60-4501	76-4502	41-4503	22 x 26T
5008 1.2ltr (Eng ; HNY)	01/15 →	Road	N	228	60-4501	70-4502	41-4503	22 x 26T
		Race/Rally	N	228	60-4501	76-4502	41-4503	22 x 26T
5008 1.6ltr 16v (Eng ; 5FV)	09/09 →	Road	N	228	60-4501	70-4502	41-4503	22 x 26T
		Race/Rally	N	228	60-4501	76-4502	41-4503	22 x 26T
RCZ 1.6ltr 16v (Eng ; 5FV)	03/10 →	Road	N	228	60-4501	70-4502	41-4503	22 x 26T
		Race/Rally	N	228	60-4501	76-4502	41-4503	22 x 26T
RCZ 1.6ltr 16v (EP6CDTX)	06/10 →	Road	N	228	60-4501	70-4502	41-4503	22 x 26T
		Race/Rally	N	228	60-4501	76-4502	41-4503	22 x 26T

Vehicle	Year	Application	Ø	Cover	Plate	Bearing	Spline	
PORSCHE								
911 T/E/S 2.4ltr	1971-77	Road	N	225	60-4086	70-4047	40-2943	22.5 x 20T
911 SC 3.0ltr	1977-83	Race/Rally	N	225	60-4086	76-4047	40-2943	22.5 x 20T
911 Carrera 2.7ltr	1972-76	Race	N	225	60-4086	78-4047	40-2943	22.5 x 20T
911 Carrera 3.0ltr	1975-77							
911 Carrera 3.2ltr (Gearbox 915) (Pull type)	1983-87							
<hr/>								
911 Carrera 3.2ltr (Eng ; 930.20 / 25) (Gearbox ; G50.00,01,02,50)	9/86-89	Road	N	240	60-4874	70-4875	40-4651	26 x 23T
		Race/Rally	N	240	60-4874	76-4875	40-4651	26 x 23T
		Race	N	240		78-4875		
<hr/>								
911 Turbo 3.3ltr (Gearbox ; Getr 930)	1977-88	Road	N	240	60-4300	70-4875	40-4306	26 x 23T
		Race/Rally	N	240	60-4300	76-4875	40-4306	26 x 23T
		Race	N	240		78-4875		
<hr/>								
911 Turbo 3.3ltr (Gearbox ; Getr G50.50)	1988-90	Road	N	240	60-4874	70-4875	40-4651	26 x 23T
		Race/Rally	N	240	60-4874	76-4875	40-4651	26 x 23T
		Race	N	240		78-4875		
<hr/>								
911 Carrera 2,4 3.6ltr (964 model)	1989-97	Road	N	240	60-4872	71-4873	40-4651	26 x 23T
	1989-97	Race	N	240	60-4872	78-4873	40-4651	26 x 23T
<hr/>								
911 3.6ltr Turbo (964 model)	1990-97	Road	N	240	60-4872	71-4873	40-4651	26 x 23T
		Race/Rally	N	240	60-4872	78-4873	40-4651	26 x 23T
<hr/>								
911 Carrera 2 RS (964 model)	1992-93	Road	N	240	60-4872	71-4873	40-2627	26 x 23T
		Race/Rally	N	240	60-4872	78-4873	40-2627	26 x 23T
<hr/>								
911 Carrera RS Clubsport (993 model)	1995-97	Road	N	240	60-4872	71-4873	40-2627	26 x 23T
		Race/Rally	N	240	60-4872	78-4873	40-2627	26 x 23T
<hr/>								
911 Carrera 3.6 & 3.8ltr (All models type 993)	1993-97	Road	N	240	60-4872	71-4873	40-4651	26 x 23T
		Race/Rally	N	240	60-4872	78-4873	40-4651	26 x 23T

Vehicle	Year	Application	Ø	Cover	Plate	Bearing	Spline	
PORSCHE (cont)								
911 3.6ltr Turbo	1993-97	Road	N	240	60-4872	71-4873	40-4651	26 x 23T
911 GT2 3.6ltr Turbo (993 model)		Race/Rally	N	240	60-4872	78-4873	40-4651	26 x 23T
911 Carrera 3.4ltr	1997-01	Road	N	240	60-4880	71-4881	40-4652	24.2 x 23T
911 Carrera 4 3.4ltr (996 model)		Race/Rally	N	240	60-4880	78-4881	40-4652	24.2 x 23T
911 Carrera 3.6ltr	2001-04	Road	N	240	60-4882	71-4881	40-4652	26 x 23T
911 Carrera 4 3.6ltr (996 model)		Race/Rally	N	240	60-4882	78-4881	40-4652	26 x 23T
911 GT3 3.6ltr (996 model)	1999 →	Road	N	240	60-4872	71-4873	40-4651	26 x 23T
(Eng ; 265kw,280kw)		Race/Rally	N	240	60-4872	78-4873	40-4651	26 x 23T
911 GT3 Clubsport 3.6ltr (996 model)	2003 →	Race	N	240	60-4872	78-4877	40-2627	26 x 23T
(Eng ; 280kw)								
(Pull type)								
911 4 3.6ltr Turbo (996 model)	2000-05	Road	N	240	60-4872	71-4873	40-4651	26 x 23T
		Race/Rally	N	240	60-4872	78-4873	40-4651	26 x 23T
911 4S 3.6ltr Turbo (996 model)	2003-05	Road	N	240	60-4872	71-4873	40-4651	26 x 23T
		Race/Rally	N	240	60-4872	78-4873	40-4651	26 x 23T
911 GT2 3.6ltr (996 model)	2001-05	Road	N	240	60-4872	71-4873	40-4651	26 x 23T
		Race/Rally	N	240	60-4872	78-4873	40-4651	26 x 23T
911 Carrera 3.6ltr	2004 →	Road	N	240	60-4880	71-4881	40-4652	26 x 23T
911 Carrera 4 3.6ltr (997 model)		Race/Rally	N	240	60-4880	78-4881	40-4652	26 x 23T
(325 BHP/239kw)								

Vehicle	Year	Application	Ø	Cover	Plate	Bearing	Spline	
PORSCHE (cont)								
911 Carrera 3.6ltr	2008 →	Road	N	240	60-4886	71-4887	40-4888	26 x 23T
911 Carrera 4 3.6ltr <i>(997 model)</i> <i>(345 BHP/254kw)</i>		Race/Rally	N	240	60-4886	78-4887	40-4888	26 x 23T
<hr/>								
911 Carrera S 3.8ltr	2004 →	Road	N	240	60-4886	71-4887	40-4888	26 x 23T
<i>(997 model)</i> <i>(356 BHP/261kw)</i>		Race/Rally	N	240	60-4886	78-4887	40-4888	26 x 23T
<hr/>								
911 Carrera S	2005 →	Road	N	240	60-4886	71-4887	40-4888	26 x 23T
911 Carrera 4S <i>(997 model)</i> <i>(380 BHP/280kw)</i>		Race/Rally	N	240	60-4886	78-4887	40-4888	26 x 23T
<hr/>								
911 Carrera S 3.8ltr	2008 →	Road	N	240	60-4886	71-4887	40-4888	26 x 23T
911 Carrera 4S 3.8ltr <i>(997 model)</i> <i>(385 BHP/ 283kw)</i>		Race/Rally	N	240	60-4886	78-4887	40-4888	26 x 23T
<hr/>								
911 3.6ltr Turbo	2005 →	Road	N	240	60-4872	71-4873	40-4651	26 x 23T
<i>(997 model)</i>		Race/Rally	N	240	60-4872	78-4873	40-4651	26 x 23T
<hr/>								
911 GT2 3.6ltr Turbo	2007 →	Road	N	240	60-4872	71-4873	40-4651	26 x 23T
<i>(997 model)</i>		Race/Rally	N	240	60-4872	78-4873	40-4651	26 x 23T
<hr/>								
911 GT3 RS 3.8ltr	2009 →	Road	N	240	60-4872	71-4873	N/A	26 x 23T
<i>(997 model)</i>		Race/Rally	N	240	60-4872	78-4873	N/A	26 x 23T
<hr/>								
Boxster 2.5ltr	1996-99	Road	N	240	60-4882	71-4883	40-4654	24.2 x 23T
<i>(986 model)</i> <i>(Eng ; M96.20)</i>		Race/Rally	N	240	60-4882	78-4883	40-4654	24.2 x 23T
<hr/>								
Boxster 2.7ltr	1999-04	Road	N	240	60-4882	71-4883	40-4653	24.2 x 23T
<i>(986 model)</i> <i>(Eng ; M96.22,M96.23)</i>		Race/Rally	N	240	60-4882	78-4883	40-4653	24.2 x 23T
<hr/>								

Vehicle	Year	Application	Ø	Cover	Plate	Bearing	Spline	
PORSCHE (cont)								
Boxster 2.7ltr (987 model) (Eng ; M96.25) (5,6 speed gearbox)	11/04 →	Road	N	240	60-4882	71-4883	40-4653	24.2 x 23T
		Race/Rally	N	240	60-4882	78-4883	40-4653	24.2 x 23T
Boxster S 3.2ltr (986 model) (Eng ; M96.21,M96.24)	1999-04	Road	N	240	60-4882	71-4881	40-4652	26 x 23T
		Race/Rally	N	240	60-4882	78-4881	40-4652	26 x 23T
Boxster S 3.2ltr (987 model) (Eng ; M96.26)	11/04 →	Road	N	240	60-4882	71-4883	40-4652	24.2 x 23T
		Race/Rally	N	240	60-4882	78-4883	40-4652	24.2 x 23T
Boxster S 3.4ltr (987 model) (Eng ; M97.20)	11/04 →	Road	N	240	60-4882	71-4883	40-4652	24.2 x 23T
		Race/Rally	N	240	60-4882	78-4883	40-4652	24.2 x 23T
Cayman 2.7ltr	2006 →	Road	N	240	60-4882	71-4883	40-4652	24.2 x 23T
Cayman 2.9ltr	2009 →	Race/Rally	N	240	60-4882	78-4883	40-4652	24.2 x 23T
Cayman S 3.4ltr	11/05 →	Road	N	240	60-4882	71-4883	40-4652	24.2 x 23T
Cayman S Sport 3.4ltr	2008 →	Race/Rally	N	240	60-4882	78-4883	40-4652	24.2 x 23T
924 (4 & 5 Speed Gearboxes)	1976-85	Road	N	215	60-1185	70-1916	40-2209	20.4 x 24T
		Race/Rally	N	215	60-1185	76-1916	40-2209	20.4 x 24T
924 S	1985-88	Road	N	225	60-4712	70-4429	40-4719	26 x 23T
		Race/Rally	N	225	60-4712	76-4429	40-4719	26 x 23T
924 Carrera GT	1980-85	Road	N	225	60-4086	70-4303	40-4719	26 x 23T
		Race/Rally	N	225	60-4086	76-4303	40-4719	26 x 23T
944 2.5ltr & 2.7ltr	1981-90	Road	N	225	60-4712	70-4429	40-4719	26 x 23T
		Race/Rally	N	225	60-4712	76-4429	40-4719	26 x 23T

Vehicle	Year	Application		Ø	Cover	Plate	Bearing	Spline
---------	------	-------------	--	---	-------	-------	---------	--------

PORSCHE (cont)

944 S2 3.0ltr	1990-92	Road	N	225	60-4430	70-4429	40-4719	26 x 23T
		Race/Rally	N	225	60-4430	76-4429	40-4719	26 x 23T

944 2.5ltr Turbo	1985-92	Road	N	240	60-4828	70-4813	40-2980	26 x 23T
		Race/Rally	N	240	60-4828	76-4813	40-2980	26 x 23T

968 3.0ltr	1992-96	Road	N	240	60-4876	71-2626	40-2627	26 x 23T
		Race/Rally	N	240	60-4876	78-2626	40-2627	26 x 23T

PROTON

Persona Compact 1.6ltr	1997-00	Road	N	200	60-2970	70-6005	40-1820	22.5 x 20T
		Race/Rally	N	200	60-2970	76-6005	40-1820	22.5 x 20T

Coupe 1.8ltr	1997-01	Road	N	215	60-4423	70-2268	40-1820	22.5 x 20T
		Race/Rally	N	215	60-4423	76-2268	40-1820	22.5 x 20T

Vehicle	Year	Application	Ø	Cover	Plate	Bearing	Spline	
RENAULT								
R5 GT 1.4ltr Turbo	1985-92	Road	N	200	60-4331	70-4333	40-3990	22 x 26T
		Race/Rally	N	200	60-4332	76-4333	40-3990	22 x 26T
R5 2.0ltr Turbo RWD <i>(Mid engine model R8220)</i> <i>(Twin plate clutch)</i> (Flywheel HF 9533)	1980-86	Road	N	190	80-4088	70-2120	40-2943	24 x 21T
		Race/Rally	N	190	80-4188	70-2121		
			N	190	80-4088	76-2120	40-2943	24 x 21T
5 Piece Twin Plate Kit			N	190	35-4088		Organic Twin Plate Kit	
			N	190	95-4088		Paddle Twin Plate Kit	
Clio 1.8ltr 16v	1991-97	Road	N	200	60-4331	70-4333	40-3990	22 x 26T
		Race/Rally	N	200	60-4332	76-4333	40-3990	22 x 26T
Clio Williams 2.0ltr	1993-96	Road	N	200	60-4331	70-4333	40-3990	22 x 26T
		Race/Rally	N	200	60-4332	76-4333	40-3990	22 x 26T
Clio 2 2.0ltr 16v Sport 172	2000-05	Road	N	215	60-5112	70-5117	40-5109	22 x 26T
		Race/Rally	N	215	60-5116	76-5117	40-5109	22 x 26T
Clio 2 2.0ltr 16v <i>(Renaultsport 172 cup race series only)</i>	2000-04	Race	N	215	60-5114	76-5115	40-5109	22 x 26T
		Race	N	215	60-5122	76-5123	40-5109	22 x 26T
Clio 2 RS 182 2.0ltr 16v	2001-05	Road	N	215	60-5112	70-5117	40-5109	22 x 26T
		Race/Rally	N	215	60-5116	76-5117	40-5109	22 x 26T
Clio 3 2.0ltr 16v 0 Renaultsport 197	2006 →	Road	N	228	60-5148	70-5149	41-5118	24.5 x 21T
		Race/Rally	N	228	60-5148	76-5149	41-5118	24.5 x 21T
Clio 3 197 2.0ltr <i>(Renaultsport cup race series only)</i>	2007 →	Race	N	228	60-5148	76-5154	41-5118	24 x 21T
Clio 2 3.0ltr 24v <i>(Chassis No ; CB1A)</i> (Requires flywheel HF 9285)	2001-03	Road	N	240	60-5140	70-5141	40-5111	24 x 21T

Vehicle	Year	Application	Ø	Cover	Plate	Bearing	Spline	
RENAULT (cont)								
Clio 2 3.0ltr 24v <i>(Chassis No ; CB1H/U)</i> <i>(Requires flywheel HF 9285)</i>	2001-03	Road	N	240	60-5144 60-5140	70-5145	40-5111	24 x 21T
Megane Coupe 2.0ltr 16v	1996-02	Road	N	215	60-5107	70-5108	40-5109	22 x 26T
		Race/Rally	N	215	60-5110	76-5108	40-5109	22 x 26T
Megane Sport 225	2005-08	Road	N	240	60-5146	70-5147	41-5113	24 x 21T
Megane Sport Cup 225 <i>(Requires flywheel HF 9229)</i>	2006-08	Race/Rally	N	240	60-5146	76-5147	41-5113	24 x 21T
Spider 2.0ltr 16v	1996-00	Road	N	200	60-4497	70-4805	40-3990	22 x 26T
		Race/Rally	N	200	60-4497	76-4805	40-3990	22 x 26T
Spider Championship 2.0ltr 16v <i>(Must be fitted to pre 1998 cars as a set)</i>	1998-00	Race	N	200	60-4499	76-4498	40-3990	22 x 26T
Formula Renault 1.7ltr	1994 →	Race	N	200	60-1207	78-2250	40-4330	24 x 21T
Formula Renault 2.0ltr	1998 →	Race	A	184	63-120B	53-2002	N/A	22.5 x 20T
21 2.0ltr Turbo	1988-92	Road	N	235	60-4695	70-4696	40-4330	24 x 21T
		Race/Rally	N	235	60-4695	76-4696	40-4330	24 x 21T

Vehicle	Year	Application		Ø	Cover	Plate	Bearing	Spline
ROVER								
214 1.4ltr 16v	1990-95	Road	N	190	60-5143	70-4680	40-5096	21 x 18T
Metro 1.4ltr 16v		Race/Rally	N	190	60-5143	76-4680	40-5096	21x 18T
216 GTI	1989-94	Road	N	200	60-3228	70-3229	40-5312	22 x 20T
416 GTI		Race/Rally	N	200	60-3228	76-3229	40-5312	22 x 20T
216 GTI	1995-00	Road	N	200	60-3871	70-3876	40-5096	21 x 18T
416 GTI		Race/Rally	N	200	60-3878	76-3876	40-5096	21 x 18T
3500 SDI	1976-86	Road	N	240	60-2499	70-3380	40-3264	25.4 x 23T
		Race/Rally	N	240	60-2501	76-3380	40-3264	25.4 x 23T
220 Coupe 2.0ltr Turbo	1992-96	Road	N	228	60-6062	70-6063	40-3821	25.4 x 24T
		Race/Rally	N	228	60-6064	76-6063	40-3821	25.4 x 24T

Vehicle	Year	Application		Ø	Cover	Plate	Bearing	Spline
SAAB								
99 2.0ltr Turbo	1977-81	Road	N	215	60-5132	70-2620	40-1238	19 x 17T
		Race/Rally	N	215	60-5132	76-2620	40-1238	19 x 17T
<hr/>								
900 2.0ltr Turbo 16s	1984-93	Road	N	215	60-5132	70-2620	N/A	19 x 17T
		Race/Rally	N	215	60-5132	76-2620	N/A	19 x 17T
<i>(Chassis No ; F1002757 → K*****)</i>								
<i>Use release bearing 40-4941 if slave cylinder No 87 22 209 is used</i>								
<hr/>								
900 2.0ltr Turbo 16s	1984-93	Road	N	228	60-4313	70-4329	N/A	19 x 17T
		Race/Rally	N	228	60-4313	76-4329	N/A	19 x 17T
<i>(Chassis No L***** →)</i>								
<i>Use release bearing 40-4941 if slave cylinder No 87 22 209 is used</i>								
<hr/>								
900 2.0ltr Turbo 16s	1993-98	Road	N	228	60-4314	70-4315	40-3684	25 x 14T
		Race/Rally	N	228	60-4314	76-4315	40-3684	25 x 14T
<i>(Eng ; B204L)</i>								
<i>(185 BHP/136kw)</i>								
<i>(To chassis No. → V)</i>								
<hr/>								
900 2.0ltr Turbo 16s	1993-98	Road	N	228	60-4314	70-4315	41-3686	25 x 14T
		Race/Rally	N	228	60-4314	76-4315	41-3686	25 x 14T
<i>(Eng ; B204L)</i>								
<i>(185 BHP/136kw)</i>								
<i>(Chassis No ; W →)</i>								
<hr/>								

Vehicle	Year	Application		Ø	Cover	Plate	Bearing	Spline
SEAT								
Altea 1.8ltr TFSI (Eng ; CDAA) (Sachs twin mass flywheel)	2007 →	Road	N	240	60-3318	71-3317	40-4717	24.2 x 23T
		Race/Rally	N	240	60-3318	78-3317	40-4717	24.2 x 23T
<hr/>								
Altea 2.0ltr TFSI (Eng ; BWA) (Sachs twin mass flywheel)	2006-07	Road	N	240	60-3318	71-3317	41-4621	24.2 x 23T
		Race/Rally	N	240	60-3318	78-3317	41-4621	24.2 x 23T
<hr/>								
Altea 2.0ltr TFSI (Eng ; BWA) (LUK twin mass flywheel)	2006 →	Road	N	240	60-3316	71-3317	41-4621	24.2 x 23T
		Race/Rally	N	240	60-3316	78-3317	41-4621	24.2 x 23T
<hr/>								
Altea 2.0ltr TFSI (Eng ; CCZB) (Sachs twin mass flywheel)	2006 →	Road	N	240	60-3318	71-3317	41-4621	24.2 x 23T
		Race/Rally	N	240	60-3318	78-3317	41-4621	24.2 x 23T
<hr/>								
Altea TDI 2.0ltr (Eng ; AZV,BKD,BMN,BMM) (Eng ; CFHC,CEGA) (Sachs twin mass flywheel)	2004 →	Road	N	240	60-3318	71-3317	41-4621	24.2 x 23T
		Race/Rally	N	240	60-3318	78-3317	41-4621	24.2 x 23T
<hr/>								
Altea TDI 2.0ltr (Eng ; AZV,BKD,BMN,BMM) (Eng ; CFHC,CEGA) (LUK twin mass flywheel)	2004 →	Road	N	240	60-3316	71-3324	41-4621	24.2 x 23T
		Race/Rally	N	240	60-3316	78-3324	41-4621	24.2 x 23T
<hr/>								
Ibiza 1.8ltr 16v	1993-96	Road	N	210	60-4574	70-4578	40-4567	22.1 x 28T
Ibiza 2.0ltr 16v (Eng ; ADL,AGG,2E) (To chassis No → 6K-ZR002744)	1993-99	Race/Rally	N	210	60-4574	76-4578	40-4567	22.1 x 28T
<hr/>								
Ibiza 1.8ltr 16v	1993-96	Road	N	210	60-4575	70-4578	40-4567	22.1 x 28T
Ibiza 2.0ltr (Eng ; ADL,AGG,2E) (From chassis No 6K-XR002745 →)	1993-99	Race/Rally	N	210	60-4575	76-4578	40-4567	22.1 x 28T
<hr/>								

Vehicle	Year	Application	Ø	Cover	Plate	Bearing	Spline	
SEAT (cont)								
Ibiza Cupra Sport 2.0ltr 16v <i>(Eng ; ABF,AHU,1Z)</i>	1997-99	Road	N	228	60-4856	70-4606	40-4717	22.1 x 28T
		Race/Rally	N	228	60-4856	76-4606	40-4717	22.1 x 28T
<hr/>								
Ibiza Cupra 1.8ltr Turbo 20v <i>(Eng ; AQX,AYP)</i> <i>(156 BHP/115kw)</i> (Requires flywheel HF 9281)	2000-02	Road	N	228	60-4604	70-4606	40-4717	22.1 x 28T
		Race/Rally	N	228	60-4604	76-4606	40-4717	22.1 x 28T
<hr/>								
Ibiza Cupra R/FR 1.8ltr Turbo <i>(Eng ; BBU,BJX,BKV)</i> <i>(180 BHP/132kw)</i> (Requires flywheel HF 9281)	12/03- 08	Road	N	228	60-4604	70-4606	40-4717	22.1 x 28T
		Race/Rally	N	228	60-4604	76-4606	40-4717	22.1 x 28T
<hr/>								
Ibiza TDI 1.9ltr <i>(Eng ; ATD,AXR)</i> <i>(100 BHP/74kw)</i>	2002 →	Road	N	228	60-4603	70-4606	40-4717	22.1 x 28T
		Race/Rally	N	228	60-4603	76-4606	40-4717	22.1 x 28T
<hr/>								
Ibiza TDI 1.9ltr <i>(Eng ; ASZ,BPX)</i> <i>(130 BHP/96kw)</i> (Sachs twin mass flywheel)	2002 →	Road	N	240	60-3312	71-3313	41-4621	24.2 x 23T
		Race/Rally	N	240	60-3312	78-3313	41-4621	24.2 x 23T
<hr/>								
Ibiza TDI 1.9ltr <i>(Eng ; ASZ,BPX)</i> <i>(130 BHP/96kw)</i> (Requires flywheel HF 9282)	2002 →	Road	N	240	60-4610	70-4611	41-4621	24.2 x 23T
<hr/>								
Ibiza Cupra TDI 160 1.9ltr <i>(Eng ; ASZ,BPX)</i> <i>(160 BHP/118kw)</i> (Sachs twin mass flywheel)	2004 →	Road	N	240	60-3312	71-3313	41-4621	24.2 x 23T
		Race/Rally	N	240	60-3312	76-3313	41-4621	24.2 x 23T
<hr/>								

Vehicle	Year	Application	Ø	Cover	Plate	Bearing	Spline
---------	------	-------------	---	-------	-------	---------	--------

SEAT (cont)

Ibiza Cupra TDI 160 1.9ltr <i>(Eng ; ASZ,BPX)</i> <i>(160 BHP/118kw)</i> (Requires flywheel HF 9282)	2004 →	Road	N	240	60-4610	70-4611	41-4621	24.2 x 23T

Leon 1.8ltr 20v <i>(Eng ; AGN,APG)</i> <i>(125 BHP/92kw)</i> (Requires flywheel HF 9281)	2000 →	Road	N	228	60-4604	70-4606	40-4717	22.1 x 28T
		Race/Rally	N	228	60-4604	76-4606	40-4717	22.1 x 28T

Leon Cupra 1.8ltr Turbo 20v <i>(Eng ; APP,AUQ)</i> <i>(180 BHP/132kw)</i> (Twin mass flywheel)	2000-06	Road	N	240	60-3314	71-3313	41-4621	24.2 x 23T
		Race/Rally	N	240	60-3314	78-3313	41-4621	24.2 x 23T

Leon Cupra 1.8ltr Turbo 20v <i>(Eng ; APP,AUQ)</i> <i>(180 BHP/132kw)</i> (Requires flywheel HF 9282)	2000-06	Road	N	240	60-4610	70-4611	41-4621	24.2 x 23T
		Race/Rally	N	240	60-4610	76-4611	41-4621	24.2 x 23T

Leon Cupra R 1.8ltr Turbo 20v <i>(Eng ; AMK,AJQ,ARY,BAM)</i> <i>(225 BHP/165kw)</i> (Twin mass flywheel)	2003 →	Road	N	240	60-3314	71-3313	41-4621	24.2 x 23T
		Race/Rally	N	240	60-3314	78-3313	41-4621	24.2 x 23T

Leon Cupra R 1.8ltr Turbo 20v <i>(Eng ; AMK,AJQ,ARY,BAM)</i> <i>(225 BHP/165kw)</i> (Requires flywheel HF 9282)	2003 →	Road	N	240	60-4610	70-4611	41-4621	24.2 x 23T
		Race/Rally	N	240	60-4610	76-4611	41-4621	24.2 x 23T

Vehicle	Year	Application	Ø	Cover	Plate	Bearing	Spline	
SEAT (cont)								
Leon 2.0ltr TFSI <i>(Eng ; BWA,CCZB)</i> <i>(200 BHP/147kw)</i> (Luk twin mass flywheel)	9/2005	Road	N	240	60-3316	71-3317	41-4621	24.2 x 23T
	→	Race/Rally	N	240	60-3316	78-3317	41-4621	24.2 x 23T
<hr/>								
Leon 2.0ltr TFSI <i>(Eng ; BWA,CCZB)</i> <i>(200 BHP/147kw)</i> (Sachs twin mass flywheel)	9/2005	Road	N	240	60-3318	71-3317	41-4621	24.2 x 23T
	→	Race/Rally	N	240	60-3318	78-3317	41-4621	24.2 x 23T
<hr/>								
Leon 2.0ltr TFSI <i>(Eng ; BWJ,CDLD)</i> <i>(240 BHP/177kw)</i> (Luk twin mass flywheel)	11/06 →	Road	N	240	60-3316	71-3317	41-4621	24.2 x 23T
		Race/Rally	N	240	60-3316	78-3317	41-4621	24.2 x 23T
<hr/>								
Leon 2.0ltr TFSI <i>(Eng ; BWJ,CDLD)</i> <i>(240 BHP/177kw)</i> (Sachs twin mass flywheel)	11/06 →	Road	N	240	60-3318	71-3317	41-4621	24.2 x 23T
		Race/Rally	N	240	60-3318	78-3317	41-4621	24.2 x 23T
<hr/>								
Leon 2.0ltr TFSI <i>(Eng ; BWJ,CDLD)</i> <i>(240BHP/177kw)</i> (Requires flywheel HF 9289)	11/06 →	Road	N	240	60-4610	70-4611	41-4621	24.2 x 23T
		Race/Rally	N	240	60-4610	76-4611	41-4621	24.2 x 23T
<hr/>								
Leon Cupra R 2.0ltr TFSI <i>(Eng ; CDLA)</i> <i>(265 BHP/195kw)</i> (Luk twin mass flywheel)	2009 →	Road	N	240	60-3316	71-3317	41-4621	24.2 x 23T
		Race/Rally	N	240	60-3316	78-3317	41-4621	24.2 x 23T
<hr/>								
Leon Cupra R 2.0ltr TFSI <i>(Eng ; CDLA)</i> <i>(265 BHP/195kw)</i> (Sachs twin mass flywheel)	2009 →	Road	N	240	60-3318	71-3317	41-4621	24.2 x 23T
		Race/Rally	N	240	60-3318	78-3317	41-4621	24.2 x 23T
<hr/>								
Leon Cupra 2.0ltr <i>(Eng ; CJX)</i> <i>(Model ; 5F)</i>	10/13 →	Road	N	240	60-3328	71-3317	41-4504	22.1 x 28T
		Race/Rally	N	240	60-3328	78-3317	41-4504	22.1 x 28T
<hr/>								

Vehicle	Year	Application	Ø	Cover	Plate	Bearing	Spline
---------	------	-------------	---	-------	-------	---------	--------

SEAT (cont)

Leon SC Cupra 2.0ltr (Eng ; CJX) (Model ; 5F)	10/13 →	Road	N	240	60-3328	71-3317	41-4504	22.1 x 28T
		Race/Rally	N	240	60-3328	78-3317	41-4504	22.1 x 28T

Leon ST Cupra 2.0ltr (Eng ; CJX) (Model ; 5F)	10/13 →	Road	N	240	60-3328	71-3317	41-4504	22.1 x 28T
		Race/Rally	N	240	60-3328	78-3317	41-4504	22.1 x 28T

Leon Cupra 4 2.8ltr (Eng ; AUE) (204 BHP/150kw) (Fitted twin mass flywheel)	2001-06	Road	N	240	60-3314	71-3313	41-4621	24.2 x 23T
		Race/Rally	N	240	60-3314	78-3313	41-4621	24.2 x 23T

Leon TDI 1.9ltr (Eng ; AGR,ALH) (90 BHP/66kw) (Chassis No → 1M-1R023 000) (Chassis No → 1M-1R028 000) (Luk twin mass flywheel)	1999 →	Road	N	216	60-3322	71-3323	40-4717	22.1 x 28T
		Race/Rally	N	216	60-3322	78-3323	40-4717	22.1 x 28T

Leon TDI 1.9ltr (Eng ; AGR,ALH) (90 BHP/66kw) (Chassis No → 1M-1B023 000) (Chassis No → 1M-1R028 000) (Sachs twin mass flywheel)	1999 →	Road	N	228	60-3310	71-3311	40-4717	22.1 x 28T
		Race/Rally	N	228	60-3310	78-3311	40-4717	22.1 x 28T

Leon TDI 1.9ltr (Eng ; AGR) (90 BHP/66kw) (Chassis No 1M-1B023 001 →) (Chassis No 1M-1R028 001 →) (Luk twin mass flywheel)	1999 →	Road	N	228	60-3224	71-3217	40-4717	22.1 x 28T
		Race/Rally	N	228	60-3224	78-3217	40-4717	22.1 x 28T

Leon TDI 1.9ltr (Eng ; ALH) (90 BHP/66kw) (Chassis No 1M-1R023 001 →) (Chassis No 1M-1R028 001 →) (Sachs twin mass flywheel)	1999 →	Road	N	228	60-3310	71-3311	40-4717	22.1 x 28T
		Race/Rally	N	228	60-3310	78-3311	40-4717	22.1 x 28T

Vehicle	Year	Application	Ø	Cover	Plate	Bearing	Spline
---------	------	-------------	---	-------	-------	---------	--------

SEAT (cont)

Leon TDI 1.9ltr (Eng ; AHF,ASV) (110 BHP/81kw) (Chassis No → 1M-1B023 000) (Chassis No → 1M-1R028 000) (Luk twin mass flywheel)	1999 →	Road	N	216	60-3322	71-3323	40-4717	22.1 x 28T
		Race/Rally	N	216	60-3322	78-3323	40-4717	22.1 x 28T

Leon TDI 1.9ltr (Eng ; AHF,ASV) (110 BHP/81kw) (Chassis No → 1M-1B023 000) (Chassis No → 1M-1R028 000) (Sachs twin mass flywheel)	1999 →	Road	N	228	60-3310	71-3311	40-4717	22.1 x 28T
		Race/Rally	N	228	60-3310	78-3311	40-4717	22.1 x 28T

Leon TDI 1.9ltr (Eng ; AHF,ASV) (110 BHP/81kw) (Chassis No 1M-1B023 000 →) (Chassis No 1M-1R028 001 →) (Luk twin mass flywheel)	1999 →	Road	N	228	60-3224	71-3217	40-4717	22.1 x 28T
		Race/Rally	N	228	60-3224	78-3217	40-4717	22.1 x 28T

Leon TDI 1.9ltr (Eng ; AGR,ALH) (90 BHP/66kw) (Eng ; AHF,ASV) (110 BHP/81kw) (Requires flywheel HF 9281)	1999 →	Road	N	228	60-4604	70-4606	40-4717	22.1 x 28T
--	--------	------	---	-----	---------	---------	---------	------------

Leon TDI 1.9ltr (Eng ; ARL,ASZ) (130 BHP/96kw) (Eng ; ARL,ASZ) (150 BHP/110kw) (Twin mass flywheel)	2001 →	Road	N	240	60-3312	71-3313	41-4621	24.2 x 23T
		Race/Rally	N	240	60-3312	78-3313	41-4621	24.2 x 23T

Vehicle	Year	Application	Ø	Cover	Plate	Bearing	Spline
SEAT (cont)							
Leon TDI 1.9ltr (Eng ; ARL,ASZ) (130 BHP/96kw) (Eng ; ARL,ASZ) (150 BHP/110kw) (Requires flywheel HF 9282)		Road	N 240	60-4610	70-4611	41-4621	24.2 x 23T
Leon TDI 2.0ltr (Eng ; AZV,BKD) (136 BHP/100kw) (Eng ; BMN,CEGA) (170 BHP/125kw) (Eng ; BMM) (140 BHP/103kw) (Sachs twin mass flywheel)	2005 →	Road Race/Rally	N 240 N 240	60-3318 60-3318	71-3324 78-3324	41-4621 41-4621	24.2 x 23T 24.2 x 23T
Leon TDI 2.0ltr (Eng ; AZV,BKD) (136 BHP/100kw) (Eng ; BMN,CEGA) (170 BHP/125kw) (Eng ; BMM) (140 BHP/103kw) (Luk twin mass flywheel)	2006 →	Road Race/Rally	N 240 N 240	60-3316 60-3316	71-3317 78-3317	41-4621 41-4621	24.2 x 23T 24.2 x 23T
Toledo I 2.0ltr (Eng ; 2E,AGG) (Chassis No → 1LZD241120)	1991-99	Road Race/Rally	N 210 N 210	60-4574 60-4574	70-4578 76-4578	40-4567 40-4567	22.1 x 28T 22.1 x 28T
Toledo I 2.0ltr (Eng ; 2E,AGG) (Chassis No ; 1LZD241121 →)	1991-99	Road Race/Rally	N 210 N 210	60-4575 60-4575	70-4578 76-4578	40-4567 40-4567	22.1 x 28T 22.1 x 28T
Toledo 2.0ltr 16v (Eng ; ABF)	1993-99	Road Race/Rally	N 228 N 228	60-4603 60-4603	70-4606 76-4606	40-4717 40-4717	22.1 x 28T 22.1 x 28T

Vehicle	Year	Application		Ø	Cover	Plate	Bearing	Spline
SEAT (cont)								
Toledo TDI,SDI 1.9ltr (Eng ; 1Y) (Chassis No → 1LZD241120)	1991-99	Road	N	210	60-4574	70-4578	40-4567	22.1 x 28T
		Race/Rally	N	210	60-4574	76-4578	40-4567	22.1 x 28T
<hr/>								
Toledo TDI,SDI 1.9ltr (Eng ; 1Y) (Chassis No ; 1LZD241121 →)	1991-99	Road	N	210	60-4575	70-4578	40-4567	22.1 x 28T
		Race/Rally	N	210	60-4575	76-4578	40-4567	22.1 x 28T
<hr/>								
Toledo TDI 1.9ltr (Eng ; 1Z,AHU)	1995-99	Road	N	228	60-4603	70-4606	40-4717	22.1 x 28T
		Race/Rally	N	228	60-4603	76-4606	40-4717	22.1 x 28T
<hr/>								
Toledo TDI 1.9ltr (Eng ; AFN) (Luk twin mass flywheel)	1996-99	Road	N	216	60-3322	71-3323	40-4717	22.1 x 28T
		Race/Rally	N	216	60-3322	78-3323	40-4717	22.1 x 28T
<hr/>								
Toledo TDI 1.9ltr (Eng ; AFN) (Sachs twin mass flywheel)	1995-99	Road	N	228	60-3310	71-3324	40-4717	22.1 x 28T
		Race/Rally	N	228	60-3310	78-3324	40-4717	22.1 x 28T
<hr/>								
Toledo 1.6ltr 16v (Eng ; AUS,AZD,BCB)	2000-06	Road	N	210	60-4575	70-4578	40-4567	22.1 x 28T
		Race/Rally	N	210	60-4575	76-4578	40-4567	22.1 x 28T
<hr/>								
Toledo 1.8ltr 20v (Eng ; APN,APG)	1999-06	Road	N	215	60-4730	70-4731	40-4717	22.1 x 28T
		Race/Rally	N	215	60-4730	76-4731	40-4717	22.1 x 28T
<hr/>								
Toledo 1.8ltr Turbo 20v (Eng ; AUQ) (Twin mass flywheel)	1999-06	Road	N	240	60-3314	71-3313	41-4621	24.2 x 23T
		Race/Rally	N	240	60-3314	78-3313	41-4621	24.2 x 23T
<hr/>								
Toledo 1.8ltr Turbo 20v (Eng ; AUQ) (Requires flywheel HF 9282)	1999-06	Road	N	240	60-4610	70-4611	41-4621	24.2 x 23T
		Race/Rally	N	240	60-4610	76-4611	41-4621	24.2 x 23T
<hr/>								

Vehicle	Year	Application	Ø	Cover	Plate	Bearing	Spline
---------	------	-------------	---	-------	-------	---------	--------

SEAT (cont)

Toledo TDI 1.9ltr (Eng ; AGR,ALH) (90 BHP/66kw) (Eng ; AHF, ASV) (110 BHP/81kw) (Chassis No → 1M-1R023 000) (Chassis No → 1M-1R028 000) (Luk twin mass flywheel)	1999-06	Road	N	216	60-3322	71-3323	40-4717	22.1 x 28T
		Race/Rally	N	216	60-3322	78-3323	40-4717	22.1 x 28T

Toledo TDI 1.9ltr (Eng ; AGR,ALH) (90 BHP/66kw) (Eng ; AHF, ASV) (110 BHP/81kw) (Chassis No → 1M-1B023 000) (Chassis No → 1M-1R028 000) (Sachs twin mass flywheel)	1999-06	Road	N	228	60-3310	71-3311	40-4717	22.1 x 28T
		Race/Rally	N	228	60-3310	78-3311	40-4717	22.1 x 28T

Toledo TDI 1.9ltr (Eng ; AGR) (90 BHP/66kw) (Eng ; AHF, ASV) (110 BHP/81kw) (Chassis No ; 1M-1B023 001 →) (Chassis No ; 1M-1R028 001 →) (Luk twin mass flywheel)	1999-06	Road	N	228	60-3224	71-3217	40-4717	22.1 x 28T
		Race/Rally	N	228	60-3224	78-3217	40-4717	22.1 x 28T

Toledo TDI 1.9ltr (Eng ; ALH) (90 BHP/66kw) (Chassis No ; 1M-1R023 001 →) (Chassis No ; 1M-1R028 001 →) (Sachs twin mass flywheel)	1999-06	Road	N	228	60-3310	71-3311	40-4717	22.1 x 28T
		Race/Rally	N	228	60-3310	78-3311	40-4717	22.1 x 28T

Vehicle	Year	Application	Ø	Cover	Plate	Bearing	Spline
---------	------	-------------	---	-------	-------	---------	--------

SEAT (cont)

Toledo TDI 1.9ltr <i>(Eng ; AGR,ALH)</i> <i>(90 BHP/66kw)</i> <i>(Eng ; AHF, ASV)</i> <i>(110 BHP/81kw)</i> (Requires flywheel HF 9281)	1999 →	Road	N	228	60-4604	70-4606	40-4717	22.1 x 28T
		Race/Rally	N	228	60-4604	76-4606	40-4717	22.1 x 28T

Toledo TDI 1.9ltr <i>(Eng ; ARL,ASZ)</i> <i>(130 BHP/96kw)</i> <i>(150 BHP/110kw)</i> (Twin mass flywheel)	2001 →	Road	N	240	60-3312	71-3313	41-4621	24.2 x 23T
		Race/Rally	N	240	60-3312	78-3313	41-4621	24.2 x 23T

Toledo TDI 1.9ltr <i>(Eng ; ARL,ASZ)</i> <i>(130 BHP/96kw)</i> <i>(150 BHP/110kw)</i> (Requires flywheel HF 9282)	2001 →	Road	N	240	60-4610	70-4611	41-4621	24.2 x 23T
		Race/Rally	N	240	60-4610	76-4611	41-4621	24.2 x 23T

Toledo TDI 2.0ltr <i>(Eng ; AZV,BKD,BMM)</i> <i>(140BHP/103kw → 136 BHP/100kw)</i> <i>(Eng ; BMN,CEGA)</i> <i>(170 BHP/125kw)</i> (Luk twin mass flywheel)	2004 →	Road	N	240	60-3316	71-3324	41-4621	24.2 x 23T
		Race/Rally	N	240	60-3316	78-3324	41-4621	24.2 x 23T

Toledo TDI 2.0ltr <i>(Eng ; AZV,BKD,BMM)</i> <i>(140BHP/103kw → 136 BHP/100kw)</i> <i>(Eng ; BMN,CEGA)</i> <i>(170 BHP/125kw)</i> (Sacxhs twin mass flywheel)	2004 →	Road	N	240	60-3318	71-3324	41-4621	24.2 x 23T
		Race/Rally	N	240	60-3318	78-3324	41-4621	24.2 x 23T

Vehicle	Year	Application		Ø	Cover	Plate	Bearing	Spline
SKODA								
Fabia RS TDI 1.9ltr (Eng ; ASZ,BLT) (130 BHP/96kw) (Twin mass flywheel)	2003-08	Road	N	240	60-3312	71-3313	41-4621	24.2 x 23T
		Race/Rally	N	240	60-3312	78-3313	41-4621	24.2 x 23T
<hr/>								
Fabia TDI RS 1.9ltr (Eng ; ASZ,BLT) (130 BHP/96kw) (Requires flywheel HF 9282)	2003-08	Road	N	240	60-4610	70-4611	41-4621	24.2 x 23T
		Race/Rally	N	240	60-4610	76-4611	41-4621	24.2 x 23T
<hr/>								
Favorit 1.3ltr	1989-95	Road	N	190	60-3393	70-3394	40-4197	20 x 18T
Felicia 1.3ltr	1994-01	Race/Rally	N	190	60-3393	76-3394	40-4197	20 x 18T
<hr/>								
Octavia RS 1.8ltr Turbo (Eng ; AUQ) (180 BHP/132kw) (Requires flywheel HF 9281)	2001 →	Road	N	228	60-4604	70-4606	40-4717	22.1 x 28T
		Race/Rally	N	228	60-4604	76-4606	40-4717	22.1 x 28T
<hr/>								
Octavia RS 2.0ltr TFSI (Eng ; BWA,CCZA) (Luk twin mass flywheel)	2006 →	Road	N	240	60-3316	71-3324	41-4621	24.2 x 23T
		Race/Rally	N	240	60-3316	78-3324	41-4621	24.2 x 23T
<hr/>								
Octavia RS 2.0ltr TFSI (Eng ; BWA,CCZA) (Sachs twin mass flywheel)	2006 →	Road	N	240	60-3318	71-3317	41-4621	24.2 x 23T
		Race/Rally	N	240	60-3318	78-3317	41-4621	24.2 x 23T
<hr/>								
Octavia TDI 1.9ltr (Eng ; AGR → 035000)	1997-00	Road	N	228	60-4603	70-4606	40-4717	22.1 x 28T
		Race/Rally	N	228	60-4603	76-4606	40-4717	22.1 x 28T
<hr/>								
Octavia TDI 1.9ltr (Eng ; AGR 035001 →) (Eng ; AHF,ASV) (Luk twin mass flywheel)	1997-00	Road	N	216	60-3322	71-3323	40-4717	22.1 x 28T
		Race/Rally	N	216	60-3322	78-3323	40-4717	22.1 x 28T
<hr/>								
Octavia TDI 1.9ltr (Eng ; AGR) (Eng ; AHF,ASV) (Sachs twin mass flywheel)	1997-00	Road	N	228	60-3310	71-3311	40-4717	22.1 x 28T
		Race/Rally	N	228	60-3310	78-3311	40-4717	22.1 x 28T
<hr/>								

Vehicle	Year	Application		Ø	Cover	Plate	Bearing	Spline
SKODA (cont)								
Octavia TDI 1.9ltr <i>(Eng ; AGR)</i> <i>(Eng ; AHF,ASV)</i> (Luk twin mass flywheel)	2000-04	Road	N	228	60-3224	71-3217	40-4717	22.1 x 28T
		Race/Rally	N	228	60-3224	78-3217	40-4717	22.1 x 28T
<hr/>								
Octavia TDI 1.9ltr <i>(Eng ; ALH)</i> (Luk twin mass flywheel)	2000-04	Road	N	228	60-3310	71-3319	40-4717	22.1 x 28T
		Race/Rally	N	228	60-3310	78-3319	40-4717	22.1 x 28T
<hr/>								
Octavia TDI 1.9ltr 4wd <i>(Eng ; BKC)</i> (Sachs twin mass flywheel)	2004 →	Road	N	240	60-3318	71-3317	41-4621	24.2 x 23T
		Race/Rally	N	240	60-3318	78-3317	41-4621	24.2 x 23T
<hr/>								
Octavia TDI 1.9ltr 4wd <i>(Eng ; BKC)</i> (Luk twin mass flywheel)	2004 →	Road	N	240	60-3316	71-3324	41-4621	24.2 x 23T
		Race/Rally	N	240	60-3316	78-3324	41-4621	24.2 x 23T
<hr/>								
Octavia TDI 2.0ltr <i>(Eng ; AZV)</i> (Luk twin mass flywheel)	2004 →	Road	N	240	60-3316	71-3324	41-4621	24.2 x 23T
		Race/Rally	N	240	60-3316	78-3324	41-4621	24.2 x 23T
<hr/>								
Octavia TDI 2.0ltr <i>(Eng ; AZV)</i> (Sachs twin mass flywheel)	2004 →	Road	N	240	60-3318	71-3317	41-4621	24.2 x 23T
		Race/Rally	N	240	60-3318	78-3317	41-4621	24.2 x 23T
<hr/>								
Octavia TDI 2.0ltr 16v <i>(Eng ; BKD,BMN,BMM,CEGA)</i> (Luk twin mass flywheel)	2004 →	Road	N	240	60-3316	71-3324	41-4621	24.2 x 23T
		Race/Rally	N	240	60-3316	78-3324	41-4621	24.2 x 23T
<hr/>								
Octavia TDI 2.0ltr 16v <i>(Eng ; BKD,BMN,BMM,CEGA)</i> (Sachs twin mass flywheel)	2004 →	Road	N	240	60-3318	71-3317	41-4621	24.2 x 23T
		Race/Rally	N	240	60-3318	78-3317	41-4621	24.2 x 23T
<hr/>								
Octavia TDI 2.0ltr 16v Octavia TDI 2.0ltr <i>(Eng ; ASV,BKD,BMM)</i> (Requires flywheel HF 9282)	2004 →	Road	N	240	60-4610	70-4611	41-4621	24.2 x 23T
		Race/Rally	N	240	60-4610	76-4611	41-4621	24.2 x 23T
<hr/>								

Vehicle	Year	Application	Ø	Cover	Plate	Bearing	Spline	
SUBARU								
BRZ 2.0ltr <i>(Flywheel HF 9300)</i>	2012 →	Road	N	230	60-3855	70-3857	40-3858	25.2 x 24T
		Race/Rally	N	230	60-3856	76-3857	40-3858	25.2 x 24T
<hr/>								
BRZ 2.0ltr <i>(Requires flywheel HF 9300A)</i>	2012 →	Road	N	240	60-3904	70-3905	40-3858	25.2 x 24T
		Race/Rally	N	240	60-3904	76-3905	40-3858	25.2 x 24T
<hr/>								
Legacy 2.0ltr Turbo 4wd	1990-94	Road	N	225	60-2934	70-2936	40-2637	25.2 x 24T
		Race/Rally	N	225	60-2935	76-2936	40-2937	25.2 x 24T
<hr/>								
Impreza 2.0ltr Turbo	1993 →	Road	N	230	60-2934	70-2939	40-2937	25.2 x 24T
		Race/Rally	N	230	60-2935	76-2939	40-2937	25.2 x 24T
<hr/>								
Impreza 2.0ltr WRX 6 Paddle 6 Paddle <i>(Pull type)</i>	1993-06	Road	N	230	60-2934	70-2939	40-2937	25.2 x 24T
		Race/Rally	N	230	60-2935	76-2939	40-2937	25.2 x 24T
		Race/Rally	N	230	60-2935	77-2942	40-2937	25.2 x 24T
		Race/Rally	N	230	60-2935	78-2939	40-2937	25.2 x 24T
		Race/Rally	N	230	60-2935	78-2942	40-2937	25.2 x 24T
<hr/>								
Impreza 2.0ltr Turbo Impreza 2.0ltr WRX 6 Paddle 6 Paddle <i>(From 500Nm to 600Nm torque)</i>	1993-06	Road	N	230	60-2940	70-2941	40-2937	25.2 x 24T
		Race/Rally	N	230	60-2940	76-2941	40-2937	25.2 x 24T
		Race/Rally	N	230	60-2940	77-2942	40-2937	25.2 x 24T
		Race/Rally	N	230	60-2940	78-2939	40-2937	25.2 x 24T
		Race/Rally	N	230	60-2940	78-2942	40-2937	25.2 x 24T
<hr/>								
Impreza STI WRX 6 Padde 6 Paddle	2002-06	Road	N	240	60-2938	70-2945	40-2937	25.2 x 24T
		Race/Rally	N	240	60-2944	76-2945	40-2937	25.2 x 24T
		Race/Rally	N	240	60-2944	77-2946	40-2937	25.2 x 24T
		Race/Rally	N	240	60-2944	78-2945	40-2937	25.2 x 24T
		Race/Rally	N	240	60-2944	78-2946	40-2937	25.2 x 24T
<hr/>								
Impreza 2.5ltr WRX <i>(Chassis No ; GD)</i> <i>(Eng ; EJ25)</i> <i>(Push type)</i>	2006 →	Road	N	230	60-2947	70-2939	40-2948	25.2 x 24T
		Race/Rally	N	230	60-2947	76-2939	40-2948	25.2 x 24T

Vehicle	Year	Application	Ø	Cover	Plate	Bearing	Spline	
SUBARU (cont)								
Impreza 2.5ltr WRX <i>(Chassis No ; G11)</i> <i>(Eng ; EJ255)</i> <i>(Push type)</i>	2005 →	Road	N	225	60-2949	70-2933	40-2948	25.2 x 24T
		Race/Rally	N	225	60-2949	76-2933	40-2948	25.2 x 24T
<hr/>								
Impreza STI 2.5ltr WRX 6 Paddle 6 Paddle <i>(Pull type)</i>	2006 →	Road	N	240	60-2938	70-2945	40-2937	25.2 x 24T
		Race/Rally	N	240	60-2944	76-2945	40-2937	25.2 x 24T
		Race/Rally	N	240	60-2944	77-2946	40-2937	25.2 x 24T
		Race/Rally	N	240	60-2944	78-2945	40-2937	25.2 x 24T
		Race/Rally	N	240	60-2944	78-2946	40-2937	25.2 x 24T
<hr/>								
Impreza 2.0ltr Turbo <i>(Requires flywheel HF 9205)</i> <i>(Organic twin plate clutch)</i> <i>(Pull type)</i>	1993-06	Road	N	215	60-2950	71-2951 71-2952	40-2937	25.2 x 24T
		Race/Rally	N	215	60-2950	78-2951 78-2952	40-2937	25.2 x 24T
<hr/>								

Vehicle	Year	Application		Ø	Cover	Plate	Bearing	Spline
SUZUKI								
Baleno 1.6ltr 4wd (Eng ; G16B)	1995-01	Road	N	200	60-4053	70-4054	40-1303	22.5 x 20T
		Race/Rally	N	200	60-4053	76-4054	40-1303	22.5 x 20T
Ignis 1.3ltr (Eng ; M13A)	2000 →	Road	N	190	60-4051	70-2378	40-2911	19.3 x 18T
		Race/Rally	N	190	60-4052	76-2378	40-2911	19.3 x 18T
Swift GTI 1.3ltr (Eng ; G13BA,G13BB)	1986-88	Road	N	190	60-4051	70-2378	40-1301	19.3 x 18T
		Race/Rally	N	190	60-4052	76-2378	40-1301	19.3 x 18T
Swift GTI 1.3ltr (Eng ; G13BA,G13BB)	1989-05	Road	N	190	60-4051	70-2378	40-1302	19.3 x 18T
		Race/Rally	N	190	60-4052	76-2378	40-1302	19.3 x 18T
Swift Sport VVTI 1.6ltr (Eng ; M16A)	2006 →	Road	N	200	60-4053	70-4054	40-1303	22.5 x 20T
		Race/Rally	N	200	60-4053	76-4054	40-1303	22.5 x 20T

Vehicle	Year	Application		Ø	Cover	Plate	Bearing	Spline
TOYOTA								
Altezza RS200 2.0ltr	1998 →	Road	N	225	60-2326	70-3600	40-4239	29 x 21T
Lexus IS200 2.0ltr	1999 →	Race/Rally	N	225	60-2326	76-3600	40-4239	29 x 21T
<hr/>								
Aygo 1.0ltr	2005 →	Road	N	190	60-3840	70-3831	40-3707	22.5 x 19T
<i>(Eng ; 1KR-FE)</i>		Race/Rally	N	190	60-3840	76-3831	40-3707	22.5 x 19T
<hr/>								
Corolla GT 1.6ltr 16v	1984-87	Road	N	200	60-3820	70-3823	40-2429	24 x 21T
<i>(Model ; AE86 RWD)</i>		Race/Rally	N	200	60-3822	76-3823	40-2429	24 x 21T
<hr/>								
Corolla GT 1.6ltr 16v	1984-87	Road	N	200	60-3820	70-3824	40-2482	25.4 x 23T
<i>(Model ; AE86 RWD)</i>		Race/Rally	N	200	60-3822	76-3824	40-2482	25.4 x 23T
								(Fitted with Ford 5 speed gearbox)
<hr/>								
Corolla GT 1.6ltr 16v	1984-87	Road	N	215	60-3849	70-3848	40-2482	25.4 x 23T
		Race/Rally	N	215	60-3851	76-3848	40-2482	25.4 x 23T
<i>(Model ; AE86 RWD fitted with AE92 Eng 1989 →)</i>								
<i>(Fitted with Ford 5 speed gearbox)</i>								
<hr/>								
Corolla GTI 1.6ltr 16v	1987-89	Road	N	200	60-3820	70-3823	40-4238	24 x 21T
<i>(Model ; AE92 FWD)</i>		Race/Rally	N	200	60-3822	76-3823	40-4238	24 x 21T
<hr/>								
Corolla GTI 1.6ltr 16v	1989-91	Road	N	215	60-3849	70-3847	40-4238	24 x 21T
<i>(Model ; AE92 FWD)</i>		Race/Rally	N	215	60-3851	76-3847	40-4238	24 x 21T
<hr/>								
Corolla GTI 1.6ltr 16v	1991-97	Road	N	215	60-3849	70-3847	40-5889	24 x 21T
<i>(Model ; AE92,AE101)</i>		Race/Rally	N	215	60-3851	76-3847	40-5889	24 x 21T
<hr/>								
Celica SS-11 2.0ltr	1993-00	Road	N	225	60-2817	70-3600	40-5542	29 x 21T
<i>(Model ; ST 202)</i>		Race/Rally	N	225	60-2817	76-3600	40-5542	29 x 21T
<hr/>								
Celica GT 2.0ltr	1993-00	Road	N	225	60-2817	70-2818	40-5890	28 x 20T
<i>(Model ; ST 202)</i>		Race/Rally	N	225	60-2817	76-2818	40-5890	28 x 20T
<hr/>								

Vehicle	Year	Application	Ø	Cover	Plate	Bearing	Spline	
TOYOTA (cont)								
Celica VVTI 190 1.8ltr (Model ; Z2T 230) (Eng ; 1ZZ-FE)	2000 →	Road	N	215	60-3849	70-3853	40-5889	24 x 21T
		Race/Rally	N	215	60-3851	76-3853	40-5889	24 x 21T
Celica VVTI 190 1.8ltr (Model ; Z2T 231) (Eng ; 2ZZ-GE)	2000 →	Road	N	215	60-3849	70-3853	40-5889	24 x 21T
		Race/Rally	N	215	60-3851	76-3853	40-5889	24 x 21T
Celica GT4 Turbo (Model ; ST165,ST185,ST205) (Eng ; 3SGTE)	1988-96	Road	N	236	60-3549	70-3551	40-5542	29 x 21T
		Race/Rally	N	236	60-3549	76-3551	40-5542	29 x 21T
GT 86 (Flywheel HF 9300)	2012 →	Road	N	230	60-3855	70-3857	40-3858	25.2 x 24T
		Race/Rally	N	230	60-3856	76-3857	40-3858	25.2 x 24T
MR2 1.6ltr (Model ; AW11) (Eng ; 4AGZE)	1986-89	Road	N	225	60-2819	70-3600	40-5542	29 x 21T
		Race/Rally	N	225	60-2819	76-3600	40-5542	29 x 21T
MR2 1.6ltr Supercharged (Model ; AW11) (Eng ; 4AFE)	1989-90	Road	N	230	60-2821	70-3602	40-5542	29 x 21T
		Race/Rally	N	230	60-2821	76-3602	40-5542	29 x 21T
MR2 2.0ltr 16v (Chassis No → 0017549)	1990- 6/90	Road	N	225	60-2817	70-2818	40-4237	28 x 20T
		Race/Rally	N	225	60-2817	76-2818	40-4237	28 x 20T
MR2 2.0ltr 16v (Chassis No ; 0017550 →)	6/1990- 99	Road	N	225	60-2817	70-2818	40-5890	28 x 20T
		Race/Rally	N	225	60-2817	76-2818	40-5890	28 x 20T
MR2 2.0ltr Turbo (Twin entry turbo)	1989-99	Road	N	236	60-3549	70-3551	40-5542	29 x 21T
		Race/Rally	N	236	60-3549	76-3551	40-5542	29 x 21T

Vehicle	Year	Application		Ø	Cover	Plate	Bearing	Spline
TOYOTA (cont)								
MR2 VVTI 1.8ltr 16v <i>(Model ; AW30)</i> <i>(Eng ; 1ZZ-FE)</i>	1999-05	Road	N	215	60-3849	70-3853	40-5889	24 x 21T
		Race/Rally	N	215	60-3851	76-3853	40-5889	24 x 21T
<hr/>								
Starlet 1.3ltr Turbo <i>(Model ; EP81,EP91)</i>	1995 →	Road	N	215	60-3849	70-3847	40-4238	24 x 21T
		Race/Rally	N	215	60-3851	76-3847	40-4238	24 x 21T
<hr/>								
Supra 2.0ltr Turbo <i>(Model ; MA70R)</i>	1989-93	Road	N	240	60-4514	70-4512	40-2904	29 x 21T
		Race/Rally	N	240	60-4514	76-4512	40-2904	29 x 21T
<hr/>								
Supra 3.0ltr Twin Turbo <i>(Model ; JZA80R)</i>	1993-99	Road	N	250	60-4516	71-4517	40-4518	32.5 x 14T
		Race/Rally	N	250	60-4516	78-4517	40-4518	32.5 x 14T
<hr/>								
Yaris GR 1.6ltr 4WD <i>(Eng ; G16e-GTS)</i> <i>(Flywheel HF 9540)</i>	2020 →	Road	N	240	60-4521	70-4522	N/A	25.4 x 23T
		Race/Rally	N	240	60-4523	76-4522	N/A	25.4 x 23T
<hr/>								

Vehicle	Year	Application	Ø	Cover	Plate	Bearing	Spline	
TVR								
1800S (MGB Eng)	1966-68	Road	N	215	60-3331	70-2619	40-3291	25.4 x 23T
		Race/Rally	N	215	60-3331	76-2619	40-3291	25.4 x 23T
2500 & M (Triumph TR6 eng)	1971-75	Road	N	215	60-5132	70-2619	40-3269	25.4 x 23T
		Race/Rally	N	215	60-5132	76-2619	40-3269	25.4 x 23T
M 3.0ltr (Ford V6 eng)	1972-81	Road	N	240	60-4708	70-4710	40-2482	25.4 x 23T
		Race/Rally	N	240	60-4709	76-4710	40-2482	25.4 x 23T
420 SEAC	1998 →	Road	N	240	60-2499	70-3380	40-3264	25.4 x 23T
		Race/Rally	N	240	60-2501	76-3380	40-3264	25.4 x 23T
Cerbera (Eng ; 4,4.2,4.5ltr) (Ø215mm twin plate) (Flywheel HF 9402)	1994-04	Road	N	215	12-3100	70-6101 70-6102	40-3103	25.4 x 23T
		Race/Rally	N	215	60-3100	76-6101 76-6102	40-3103	25.4 x 23T
		Race	N	215	60-3100	78-6101 78-6102	40-3103	25.4 x 23T
Griffths 4.2,5.0ltr Chimera (Rover V8)		Road	N	240	60-2499	70-3380	40-3264	25.4 x 23T
		Race/Rally	N	240	60-2501	76-3380	40-3264	25.4 x 23T
Tuscan (Ford V6)	1969-71	Road	N	240	60-4708	70-4710	40-2482	25.4 x 23T
		Race/Rally	N	240	60-4709	76-4710	40-2482	25.4 x 23T
Tuscan 4.5ltr	1988-89	Road	N	240	60-2499	70-3380	40-3264	25.4 x 23T
		Race/Rally	N	240	60-2501	76-3380	40-3264	25.4 x 23T
		Race	N	240	60-2501	76-3380	40-3264	25.4 x 23T
Tuscan V8 4.7ltr (Ford T5 Gearbox)	1989 →	Road	N	240	60-4694	70-4710	40-3265	25.4 x 23T
		Race/Rally	N	240	60-4697	76-4710	40-3265	25.4 x 23T

Vehicle	Year	Application	Ø	Cover	Plate	Bearing	Spline	
VAUXHALL								
Formula Vauxhall Junior		Race	N	200	60-3838	70-3884	N/A	19 x 14T
<hr/>								
Astra GTE 1.8ltr 8v	1984-91	Road	N	215	60-4558	70-4554	40-3684	20.4 x 24T
Astra GTE 2.0ltr 8v		Race/Rally	N	215	60-4558	76-4554	40-3684	20.4 x 24T
<i>Above fitted competition gear set to F16</i>		Race/Rally	N	215	60-4558	76-4555	40-3684	22.5 x 20T
<hr/>								
Astra VVT 1.8ltr <i>(Eng ; Z18XER)</i>	2005 →	Road	N	205	60-6009	71-3888	40-3688	19 x 14T
		Race/Rally	N	205	60-6009	78-3888	40-3688	19 x 14T
<hr/>								
Astra GSI 2.0ltr 16v <i>(Eng ; C20XE → 14128448)</i>	1988-92	Road	N	228	60-4626	70-4627	40-3684	20.4 x 24T
		Race/Rally	N	228	60-4626	76-4627	40-3684	20.4 x 24T
				228	60-4626	78-4627	40-3684	20.4 x 24T
<i>Above fitted competition gear set to F20</i>		Race/Rally	N	228	60-4626	76-4625	40-3694	22.5 x 20T
<hr/>								
Astra 2.0ltr 16v <i>(Eng ; C20XE)</i> <i>(Chassis No ; 14128449 →)</i>	1992-98	Road	N	228	60-4990	70-4627	40-3684	20.4 x 24T
		Race/Rally	N	228	60-4990	76-4627	40-3684	20.4 x 24T
<hr/>								
Astra 2.0ltr 16v <i>Fitted competition gear set to F20</i>	1992-98	Race/Rally	N	228	60-4990	76-4625	40-3684	22.5 x 20T
<hr/>								
Astra 2.0ltr 16v <i>(F18 gearbox)</i>	1998 →	Road	N	215	60-4555	70-4554	41-3687	20.4 x 24T
		Race/Rally	N	215	60-4555	76-4554	41-3687	20.4 x 24T
<hr/>								
Astra 2.0ltr 16v <i>(F23 gearbox)</i>	1998 →	Road	N	228	60-4990	70-4993	41-3685	25 x 14T
		Race/Rally	N	228	60-4990	76-4993	41-3685	25 x 14T
<hr/>								

Vehicle	Year	Application	Ø	Cover	Plate	Bearing	Spline	
VAUXHALL (cont)								
Astra Coupe 2.0ltr Turbo	2000-04	Road	N	228	60-4996	70-4993	41-3685	25 x 14T
Astra SRI 2.0ltr Turbo <i>(Eng ; Z20LET,Z20LER)</i>		Race/Rally	N	228	60-4996	76-4993	41-3685	25 x 14T
<hr/>								
Astra VXR 2.0ltr Turbo <i>(Eng ; Z20LEH)</i>	2006-09	Road	N	240	60-4980	70-4981	41-3691	22.5 x 20T
(Requires flywheel HF 9225)		Race/Rally	N	240	60-4984	76-4981	41-3691	22.5 x 20T
<hr/>								
Astra VXR 2.0ltr Turbo <i>(Eng ; Z20LEH)</i>	2006-09	Road	N	240	60-4560	70-4559	41-3691	22.5 x 20T
(Flywheel HF 9457)		Race/Rally	N	240	60-4560	76-4559	41-3691	22.5 x 20T
<hr/>								
Astra VXR 2.0ltr Turbo <i>(Eng ; Z20LEH)</i>	2006-09	Road	N	240	60-4560	71-4559	41-3691	22.5 x 20T
(To fit twin mass flywheel)		Race/Rally	N	240	60-4560	78-4559	41-3691	22.5 x 20T
<hr/>								
Astra J VXR 280 (Flywheel HF 9538)	2009 →	Road	N	240	60-4562	70-4563	N/A	22.5 x 20T
		Race/Rally	N	240	60-4562	76-4563	N/A	22.5 x 20T
<hr/>								
Calibra 2.0ltr 16v <i>(Eng ; C20XE → 14128448)</i>	1988-92	Road	N	228	60-4626	70-4627	40-3684	20.4 x 24T
		Race/Rally	N	228	60-4626	76-4627	40-3684	20.4 x 24T
				228	60-4626	78-4627	40-3684	20.4 x 24T
<hr/>								
Calibra 2.0ltr 16v <i>(Eng ; C20XE)</i>	1992-98	Road	N	228	60-4990	70-4627	40-3684	20.4 x 24T
(Chassis No ; 14128449 →)		Race/Rally	N	228	60-4990	76-4627	40-3684	20.4 x 24T
<hr/>								
Calibra 2.0ltr Turbo <i>(Eng ; C20LET)</i>	1992-96	Road	N	228	60-4992	70-4993	40-3684	25 x 14T
		Race/Rally	N	228	60-4992	76-4993	40-3684	25 x 14T
<hr/>								
Carlton Lotus 3.6ltr Turbo	1990-94	Road	N	240	60-5201	70-5202	40-Included	28.6 x 26T

Vehicle	Year	Application	Ø	Cover	Plate	Bearing	Spline
---------	------	-------------	---	-------	-------	---------	--------

VAUXHALL (cont)

Carlton Lotus 3.6ltr Turbo <i>(Twin plate clutch)</i> (Requires flywheel HF 9242)	1990-94	Road	N	240 80-3105A	60-5214 71-5215	71-5213 40-Included	28.6 x 26T
---	---------	------	---	-----------------	--------------------	------------------------	------------

Corsa 1.4ltr 8v <i>(F10,F13 gearbox)</i>	1993-00	Road	N	190	60-3677	70-3676	40-3683	19 x 14T
		Race/Rally	N	190	60-3677	76-3676	40-3683	19 x 14T
		<i>Above fitted competition gear set</i>	N	190	60-3677	76-2262	40-3683	22.5 x 20T

Corsa 1.4ltr 8v <i>(F10,F13 gearbox)</i> <i>(Above fitted F16 gearbox → STD gears)</i>	1993-00	Road	N	190	60-3677	70-2263	40-3684	20.4 x 24T
		Race/Rally	N	190	60-3677	76-2263	40-3684	20.4 x 24T

Corsa 1.4ltr 16v	1995 →	Road	N	200	60-3838	70-3884	40-3683	19 x 14T
		Race/Rally	N	200	60-3838	76-3884	40-3683	19 x 14T
		<i>Above fitted competition gear set</i>	N	200	60-3838	76-3886	40-3683	22.5 x 20T

Corsa 1.4ltr 16v	1995 →	Road	N	200	60-3838	70-3879	40-3684	20.4 x 24T
		Race/Rally	N	200	60-3838	76-3879	40-3684	20.4 x 24T
		<i>(Above fitted F16 gearbox → STD gears)</i>						

Corsa GSI 1.6ltr 16v	1993-00	Road	N	200	60-6008	70-3884	40-3683	19 x 14T
		Race/Rally	N	200	60-6008	76-3884	40-3683	19 x 14T
		<i>Above fitted competition gear set to F13</i>	N	200	60-6008	76-3886	40-3683	22.5 x 20T

Corsa GSI 1.6ltr 16v	1993-00	Road	N	200	60-6008	70-3879	40-3684	20.4 x 24T
		Race/Rally	N	200	60-6008	76-3879	40-3684	20.4 x 24T
		<i>(Above fitted F16 gearbox → STD gears)</i>						

Vehicle	Year	Application	Ø	Cover	Plate	Bearing	Spline	
VAUXHALL (cont)								
Corsa GSI 1.6ltr 16v Nova GTE 1.6ltr 16v	1988 →	Race/Rally	A	200	68-110R	77-2252	40-4231	22.5 x 20T
<hr/>								
Corsa D 1.6ltr Turbo <i>(Eng ; Z16LER)</i> (Requires flywheel HF 9258)	2007 →	Road	N	228	60-4620	70-4623	41-3690	22.5 x 20T
		Race/Rally	N	228	60-4620	76-4623	41-3690	22.5 x 20T
<hr/>								
Nova 1.3ltr <i>(F10,F13 gearbox)</i> <i>(Eng ; 13NB,13SB,C13N)</i>	1985-90	Road	N	190	60-3677	70-3676	40-3683	19 x 14T
	1993-00	Race/Rally	N	190	60-3677	76-3676	40-3683	19 x 14T
<i>Above fitted competition gear set</i>		Race/Rally	N	190	60-3677	76-2262	40-3683	22.5 x 20T
<hr/>								
Nova 1.3ltr <i>(Eng ; 13NB,13SB,C13N)</i> <i>(F10,F13 gearbox)</i> <i>(Above fitted F16 gearbox → STD gears)</i>	1985-90	Road	N	190	60-3677	70-2263	40-3684	20.4 x 24T
	1993-00	Race/Rally	N	190	60-3677	76-2263	40-3684	20.4 x 24T
<hr/>								
Nova GTE 1.6ltr 16v <i>(Eng ; C16SE,C16SEI,E16SE)</i>	1988-93	Road	N	200	60-3838	70-3884	40-3683	19 x 14T
		Race/Rally	N	200	60-3838	76-3884	40-3683	19 x 14T
<i>Above fitted competition gear set</i>		Race/Rally	N	200	60-3838	76-3886	40-3683	22.5 x 20T
<hr/>								
Nova GTE 1.6ltr 16v <i>(Above fitted F16 gearbox → STD gears)</i>	1988-93	Road	N	200	60-3838	70-3879	40-3684	20.4 x 24T
		Race/Rally	N	200	60-3838	76-3879	40-3684	20.4 x 24T
<hr/>								
Vectra DI 2.0ltr 16v Vectra DTI 2.0ltr 16v <i>(Fitted F16 gearbox)</i>	1996-00	Road	N	228	60-4988	70-4989	41-3687	20.4 x 24T
		Race/Rally	N	228	60-4988	76-4989	41-3687	20.4 x 24T
<hr/>								

Vehicle	Year	Application	Ø	Cover	Plate	Bearing	Spline	
VAUXHALL (cont)								
Vectra DI 2.0ltr 16v	1996-00	Road	N	228	60-4988	70-4991	41-3688	25 x 14T
Vectra DTI 2.0ltr 16v <i>(Fitted F23 gearbox)</i>	1997-00	Race/Rally	N	228	60-4988	76-4991	41-3688	25 x 14T
<hr/>								
Vectra SRI 2.5ltr V6 <i>(Eng ; X25XE)</i>	1995-00	Road	N	228	60-4997	70-4994	41-3686	25 x 14T
<hr/>								
Vectra SRI 2.5ltr V6 Challenge	1998 →	Race/Rally	N	228	60-4997	76-4998	41-3686	22.5 x 20T
<hr/>								
VX 220 2.0ltr Turbo <i>(Eng ; Z20LET)</i>	2002-06	Road	N	228	60-4996	70-4993	41-3685	25 x 14T
<hr/>								
VX 220 I 2.2ltr <i>(Eng ; Z22SE)</i>	2000-04	Road	N	228	60-4996	70-4993	41-3685	25 x 14T
<hr/>								

Vehicle	Year	Application	Ø	Cover	Plate	Bearing	Spline	
VOLKSWAGEN								
Beetle RSI 3.2ltr <i>(Eng ; AXJ)</i> (Requires flywheel HF 9284)	2000 →	Race/Rally	N	240	60-4610	76-4611	41-4621	24.2 x 23T
<hr/>								
Corrado 2.0ltr 16v <i>(Eng ; ABF,9A)</i>	1992-98	Road	N	228	60-4856	70-4606	40-4717	22.1 x 28T
	1992-96	Race/Rally	N	228	60-4856	76-4606	40-4717	22.1 x 28T
<hr/>								
Corrado VR6 2.9ltr <i>(Eng ; AAA,ABV)</i>	1992-98	Road	N	228	60-4603	70-4606	40-4717	22.1 x 28T
		Race/Rally	N	228	60-4603	76-4606	40-4717	22.1 x 28T
<hr/>								
Golf II GTI 1.8ltr 8v <i>(Eng ; RD,RP,HV)</i> <i>(Eng ; 1P,EV,GU,GX,GZ,PB,PF)</i>	1984-91	Road	N	210	60-4574	70-4569	40-4567	20.4 x 24T
		Race/Rally	N	210	60-4574	76-4569	40-4567	20.4 x 24T
<hr/>								
Golf II GTI 1.8ltr 16v <i>(Eng ; KR,PL)</i>	1985-91	Road	N	210	60-4574	70-4578	40-4567	22.1 x 28T
		Race/Rally	N	210	60-4574	76-4578	40-4567	22.1 x 28T
<hr/>								
Golf II Rallye G60 1.8ltr <i>(Eng ; PG,1H)</i>	1988-91	Road	N	228	60-4856	70-4606	40-4717	22.1 x 28T
		Race/Rally	N	228	60-4856	76-4606	40-4717	22.1 x 28T
<hr/>								
Golf IV 1.8ltr 20v <i>(Eng ; AGN)</i>	1997-00	Road	N	215	60-4730	70-4731	40-4717	22.1 x 28T
		Race/Rally	N	215	60-4730	76-4731	40-4717	22.1 x 28T
<hr/>								
Golf IV 1.8ltr <i>(Eng ; AGU,ARZ)</i> <i>(150 BHP/110kw)</i> <i>(Chassis No → 1J-1B075000)</i> <i>(Chassis No → 1J-1D300000)</i> <i>(Chassis No → 1J-1P040000)</i> <i>(Chassis No → 1J-1W300000)</i> <i>(Chassis No → 1J-1U050000)</i> (Twin mass flywheel)	1998-04	Road	N	216	60-3322	71-3323	40-4717	22.1 x 28T
		Race/Rally	N	216	60-3322	78-3323	40-4717	22.1 x 28T
<hr/>								

Vehicle	Year	Application	Ø	Cover	Plate	Bearing	Spline	
VOLKSWAGEN (cont)								
Golf IV 1.8ltr Turbo (Eng ; AGU,ARZ,AUM) (150 BHP/110kw) (Chassis No ; 1J-1B075001 →) (Chassis No ; 1J-1D300001 →) (Chassis No ; 1J-1P040001 →) (Chassis No ; 1J-1W300001 →) (Chassis No ; 1J-1U050001 →) (Twin mass flywheel)	1998-04	Road	N	228	60-3224	71-3217	40-4717	22.1 x 28T
		Race/Rally	N	228	60-3224	78-3217	40-4717	22.1 x 28T
<hr/>								
Golf IV 1.8ltr Turbo (Eng ; AGU,ARZ,AUM) (150 BHP/110kw) (Requires flywheel HF 9281)	1998 →	Road	N	228	60-4604	70-4606	40-4717	22.1 x 28T
		Race/Rally	N	228	60-4604	76-4606	40-4717	22.1 x 28T
<hr/>								
Golf IV GTI 1.8ltr Turbo (Eng ; AUQ) (180 BHP/132kw) (02M gearbox) (Twin mass flywheel)	2001-05	Road	N	240	60-3314	71-3313	41-4621	24.2 x 23T
		Race/Rally	N	240	60-3314	78-3313	41-4621	24.2 x 23T
<hr/>								
Golf IV GTI 1.8ltr Turbo (Eng ; AUQ) (180 BHP/ 132kw) (02M gearbox) (Requires flywheel HF 9282)	2001 →	Road	N	240	60-4610	70-4611	41-4621	24.2 x 23T
		Race/Rally	N	240	60-4610	76-4611	41-4621	24.2 x 23T
<hr/>								
Golf III 2.0ltr (Eng ; 2E) (Chassis No ; → 306243)	1991-99	Road	N	210	60-4574	70-4578	40-4567	22.1 x 28T
		Race/Rally	N	210	60-4574	76-4578	40-4567	22.1 x 28T
<hr/>								
Gold III 2.0ltr (Eng ; 2E) (Chassis No ; 306244 →) (Eng ; ADY,AEP,AGG,AKR)	1991-99	Road	N	210	60-4575	70-4578	40-4567	22.1 x 28T
		Race/Rally	N	210	60-4575	76-4578	40-4567	22.1 x 28T
<hr/>								

Vehicle	Year	Application	Ø	Cover	Plate	Bearing	Spline	
VOLKSWAGEN (cont)								
Golf III GTI 2.0ltr 16v (Eng ; ABF,9A)	1992-98	Road	N	228	60-4856	70-4606	40-4717	22.1 x 28T
	1992-96	Race/Rally	N	228	60-4856	76-4606	40-4717	22.1 x 28T
Golf IV 2.0ltr (Eng ; AGG,AKR,ATU,AWF)	1998-04	Road	N	210	60-4575	70-4578	40-4567	22.1 x 28T
		Race/Rally	N	210	60-4575	76-4578	40-4567	22.1 x 28T
Golf IV GTI 2.0ltr (Eng ; APK,AQY,AZG,AZH) (Eng ; AZJ)	1999-04	Road	N	215	60-4730	70-4731	40-4717	22.1 x 28T
		Race/Rally	N	215	60-4730	76-4731	40-4717	22.1 x 28T
Golf V GTI 2.0ltr Turbo (Eng ; AXG,BPY,BWA) (Eng ; CAWB,CBFA,CCTA) (Sachs twin mass flywheel)	2004 →	Road	N	240	60-3318	71-3317	41-4621	24.2 x 23T
		Race/Rally	N	240	60-3318	78-3317	41-4621	24.2 x 23T
Golf V GTI 2.0ltr Turbo (Eng ; AXG,BPY,BWA) (Eng ; CAWB,CBFA,CCTA) (Luk twin mass flywheel)	2004 →	Road	N	240	60-3316	71-3317	41-4621	24.2 x 23T
		Race/Rally	N	240	60-3316	78-3317	41-4621	24.2 x 23T
Golf V GTI 2.0ltr Turbo (Eng ; AXG,BPY,BWA) (Eng ; CAWB,CBFA,CCTA) (Requires flywheel HF 9289)	2004 →	Road	N	240	60-4610	70-4611	41-4621	24.2 x 23T
		Race/Rally	N	240	60-4610	76-4611	41-4621	24.2 x 23T
Golf V GTI 2.0ltr Turbo (Eng ; BYD) (230 BHP/169kw) (Twin mass flywheel)	2006 →	Road	N	240	60-3316	71-3317	41-4621	24.2 x 23T
		Race/Rally	N	240	60-3316	78-3317	41-4621	24.2 x 23T
Golf V GTI 2.0ltr Turbo (Eng ; BYD) (230 BHP/169kw) (Requires flywheel HF 9289)	2006 →	Road	N	240	60-4610	70-4611	41-4621	24.2 x 23T
		Race/Rally	N	240	60-4610	76-4611	41-4621	24.2 x 23T
Golf VI GTI 2.0ltr Turbo (Eng ; CCZB)	2009-12	Road	N	240	60-3316	71-3317	41-4621	24.2 x 23T
		Race/Rally	N	240	60-3316	78-3317	41-4621	24.2 x 23T

Vehicle	Year	Application	Ø	Cover	Plate	Bearing	Spline	
VOLKSWAGEN (cont)								
Golf VI GTI 2.0ltr Turbo (Eng ; CDLG)	2011-12	Road	N	240	60-3316	71-3317	41-4621	24.2 x 23T
		Race/Rally	N	240	60-3316	78-3317	41-4621	24.2 x 23T
<hr/>								
Golf III VR6 2.8ltr	1992-98	Road	N	228	60-4603	70-4606	40-4717	22.1 x 28T
Golf III VR6 2.9ltr (Eng ; AAA,ABV)	1994-99	Race/Rally	N	228	60-4603	76-4606	40-4717	22.1 x 28T
<hr/>								
Golf IV V6 4 Motion 2.8ltr (Eng ; AQN,AQP,AUE,BDE) (Requires flywheel HF 9284)	1999-02	Road	N	240	60-4610	70-4611	41-4621	24.2 x 23T
		Race/Rally	N	240	60-4610	76-4611	41-4621	24.2 x 23T
<hr/>								
Golf IV V6 R32 3.2ltr (Eng ; BFH,BML) (Twin mass flywheel)	2002 →	Road	N	240	60-3320	71-3321	41-4621	24.2 x 23T
		Race/Rally	N	240	60-3320	78-3321	41-4621	24.2 x 23T
<hr/>								
Golf IV V6 R32 3.2ltr (Eng ; BFH,BML) (Requires flywheel HF 9284)	2002 →	Road	N	240	60-4610	70-4611	41-4621	24.2 x 23T
		Race/Rally	N	240	60-4610	76-4611	41-4621	24.2 x 23Y
<hr/>								
Golf V V6 R32 3.2ltr 4wd (Eng ; BUB,CBRA) (Twin mass flywheel)	11/05 →	Road	N	240	60-3316	71-3317	41-4621	24.2 x 23T
		Race/Rally	N	240	60-3316	78-3317	41-4621	24.2 x 23T
<hr/>								
Golf V V6 R32 3.2ltr 4wd (Eng ; BUB,CBRA) (Requires flywheel HF 9290)	11/05 →	Road	N	240	60-4610	70-4611	41-4621	24.2 x 23T
		Race/Rally	N	240	60-4610	76-4611	41-4621	24.2 x 23T
<hr/>								
Golf VI 2.0ltr (Eng ; CBAA,CFFB,CFFA) (Eng ; CBAB,CBBB) (Sachs twin mass flywheel)	2010 →	Road	N	240	60-3318	71-3317	41-4621	24.2 x 23T
		Race/Rally	N	240	60-3318	78-3317	41-4621	24.2 x 23T
<hr/>								
Golf VI 2.0ltr (Eng ; CBAA,CFFB,CFFA) (Eng ; CBAB,CBBB) (Luk twin mass flywheel)	2010 →	Road	N	240	60-3316	71-3325	41-4621	24.2 x 23T
		Race/Rally	N	240	60-3316	78-3325	41-4621	24.2 x 23T
<hr/>								

Vehicle	Year	Application	Ø	Cover	Plate	Bearing	Spline	
VOLKSWAGEN (cont)								
Golf IV TDI 1.9ltr (Eng ; AHF,ASV) (110 BHP/81kw)	8/95-04	Road	N	228	60-3310	71-3323	40-4717	22.1 x 28T
		Race/Rally	N	228	60-3310	78-3323	40-4717	22.1 x 28T
<hr/>								
Golf IV TDI 1.9ltr (Eng ; AGR,ALH) (Chassis No → 1J-1B075000) (Chassis No → 1J-1D300000) (Chassis No → 1J-1P040000) (Chassis No → 1J-1W300000) (Chassis No → 1J-1U050000) (Luk twin mass flywheel)	1997-01	Road	N	216	60-3322	71-3323	40-4717	22.1 x 28T
		Race/Rally	N	216	60-3322	78-3322	40-4717	22.1 x 28T
<hr/>								
Gold IV TDI 1.9ltr (Eng ; AGR) (Chassis No ; 1J-1B075001 →) (Chassis No ; 1J-1D300001 →) (Chassis No ; 1J-1P040001 →) (Chassis No ; 1J-1W300001 →) (Chassis No ; 1J-1U050001 →) (Luk twin mass flywheel)	1997-01	Road	N	228	60-3224	71-3217	40-4717	22.1 x 28T
		Race/Rally	N	228	60-3224	78-3217	40-4717	22.1 x 28T
<hr/>								
Golf IV TDI 1.9ltr (Eng ; ALH) (Chassis No ; 1J-1B075001 →) (Chassis No ; 1J-1D300001 →) (Chassis No ; 1J-1P040001 →) (Chassis No ; 1J-1W300001 →) (Chassis No ; 1J-1U050001 →) (Luk twin mass flywheel)	1997-01	Road	N	228	60-3310	71-3319	40-4717	22.1 x 28T
		Race/Rally	N	228	60-3310	78-3319	40-4717	22.1 x 28T
<hr/>								
Golf IV TDI 1.9ltr (Eng ; AGR,ALH) (Sachs twin mass flywheel)	1997-01	Road	N	228	60-3310	71-3311	40-4717	22.1 x 28T
		Race/Rally	N	228	60-3310	78-3311	40-4717	22.1 x 28T
<hr/>								
Golf IV TDI 1.9ltr (Eng ; ATD,AXR) (Twin mass flywheel)	2000-04	Road	N	228	60-3310	71-3311	40-4717	22.1 x 28T
		Race/Rally	N	228	60-3310	78-3311	40-4717	22.1 x 28T
<hr/>								

Vehicle	Year	Application	Ø	Cover	Plate	Bearing	Spline
---------	------	-------------	---	-------	-------	---------	--------

VOLKSWAGEN (cont)

Golf IV TDI 1.9ltr	8/95-04	Road	N	228	60-4604	70-4606	40-4717	22.1 x 28T
		Race/Rally	N	228	60-4604	76-4606	40-4717	22.1 x 28T

(Eng ; AGR,ALH → 90 BHP/66kw)

(Eng ; ATD,AXR → 100 BHP/74kw)

(Eng ; AHF,ASV → 110 BHP/81kw)

(Eng ; AFN,AVG → 110 BHP/81kw)

(Requires flywheel HF 9281)

Golf IV TDI 1.9ltr	1998-04	Road	N	228	60-4603	70-4606	40-4717	22.1 x 28T
---------------------------	---------	------	---	-----	---------	---------	---------	------------

(Eng ; AHU,ALE)

Golf IV TDI 1.9ltr	1998-04	Road	N	240	60-3314	71-3313	41-4621	24.2 x 23T
		Race/Rally	N	240	60-3314	78-3313	41-4621	24.2 x 23T

(Eng ; AJM)

(115 BHP/85kw)

(Twin mass flywheel)

Golf IV TDI 1.9ltr	1998-04	Road	N	240	60-3312	71-3313	41-4621	24.2 x 23T
		Race/Rally	N	240	60-3312	78-3313	41-4621	24.2 x 23T

(Eng ; ASZ)

(130 BHP/96kw)

(Eng ; ARL)

(150 BHP/110kw)

Golf IV TDI 1.9ltr	1998-04	Road	N	240	60-4610	70-4611	41-4621	24.2 x 23T
		Race/Rally	N	240	60-4610	76-4611	41-4621	24.2 x 23T

(Eng ; AJM → 115 BHP/85kw)

(Eng ; AUY → 115 BHP/85kw)

(Eng ; ASZ → 130 BHP/96kw)

(Eng ; ARL → 150BHP/110kw)

(Requires flywheel HF 9282)

Golf V TDI 1.9ltr	2004 →	Road	N	228	60-4604	70-4606	40-4717	22.1 x 28T
		Race/Rally	N	228	60-4604	76-4606	40-4717	22.1 x 28T

(Eng ; BRU,BXF)

(90 BHP/66kw)

(Eng ; BKC,BLS,BXE)

(105 BHP/77kw)

(Requires flywheel HF 9290)

Vehicle	Year	Application	Ø	Cover	Plate	Bearing	Spline	
VOLKSWAGEN (cont)								
Golf V TDI 1.9ltr 4wd (Eng ; BKC,BLS,BXE) (140 BHP/103kw) (Sachs twin mass flywheel)	2004 →	Road	N	240	60-3320	71-3317	41-4621	24.2 x 23T
		Race/Rally	N	240	60-3320	78-3317	41-4621	24.2 x 23T
Golf V SDI 2.0ltr (Eng ; BDK) (75 BHP/55kw)	2004 →	Road	N	220	60-4726	70-4725	40-4724	22.1 x 28T
		Race/Rally	N	220	60-4726	76-4725	40-4724	22.1 x 28T
Golf V GT TDI 2.0ltr (Eng ; AZV,BKD,BM) (Eng ; BMM,BEE,BVB) (Luk twin mass flywheel)	2005 →	Road	N	240	60-3316	71-3317	41-4621	24.2 x 23T
		Race/Rally	N	240	60-3316	78-3317	41-4621	24.2 x 23T
Golf V GT TDI 2.0ltr (Eng ; AZV,BKD,BM) (Eng ; BMM,BEE,BVB) (Sachs twin mass flywheel)	2005 →	Road	N	240	60-3318	71-3324	41-4621	24.2 x 23T
		Race/Rally	N	240	60-3318	78-3324	41-4621	24.2 x 23T
Golf V GT TDI 2.0ltr (Eng ; AZV,BKD,BM) (Eng ; BMM,BEE,BVB) (Requires flywheel HF 9282)	2005 →	Road	N	240	60-4610	70-4611	41-4621	24.2 x 23T
		Race/Rally	N	240	60-4610	76-4611	41-4621	24.2 x 23T
Golf III TDI 1.9ltr (Eng ; 1Z,AHU) (Gemini 6 speed gearbox)	1996-04	Race/Rally	A	200	68-131G	77-2258	N/A	25.6 x 24T
Golf III GTI 2.0ltr (Fitted VW Motorsport 6 speed gearbox)	1992-98	Race/Rally	A	200	68-131G	77-2258 78-2258	N/A	25.6 x 24T
Golf VII 2.0ltr (Eng ; CJX)	2013 →	Road	N	240	60-3328	70-3317	41-4504	24.2 x 23T
		Race/Rally	N	240	60-3328	76-3317 71-3317 78-3317	41-4504	24.2 x 23T

Vehicle	Year	Application	Ø	Cover	Plate	Bearing	Spline	
VOLKSWAGEN (cont)								
Lupo GTI 1.6ltr (Eng ; AVY)	2000 →	Road	N	220	60-4726	70-4725	40-4724	22.1 x 28T
		Race/Rally	N	220	60-4726	76-4725	40-4724	22.1 x 28T
Polo G40 1.3ltr	1987-94	Road	N	200	60-4715	70-4719	40-5002	20.4 x 24T
		Race/Rally	N	200	60-4715	76-4719	40-5002	20.4 x 24T
Polo 1.4ltr 16v (Eng ; AFK,AHW,APE,AUA,AUB)	1996-01	Road	N	200	60-4715	70-4719	40-5002	20.4 x 24T
		Race/Rally	N	200	60-4715	76-4719	40-5002	20.4 x 24T
Polo 1.4ltr 16v (Eng ; BBZ,BKY) (Eng ; AFK,AUA,AUB,AXU,BBY)	2001 →	Road	N	200	60-4715	70-4721	40-4722	22.1 x 28T
		Race/Rally	N	200	60-4716	76-4721	40-4722	22.1 x 28T
Polo GTI 1.6ltr (Eng ; AJV,ARC,AVY)	1998-01	Road	N	200	60-4715	70-4719	40-5002	20.4 x 24T
		Race/Rally	N	200	60-4716	76-4719	40-5002	20.4 x 24T
Polo GTI 1.8ltr Turbo (Eng ; BBU)	2005-10	Road	N	228	60-3310	71-3311	40-4717	22.1 x 28T
		Race/Rally	N	228	60-3310	78-3311	40-4717	22.1 x 28T
Scirocco TSI 2.0ltr 16v (Eng ; CAWB,CCZB)	2008 →	Road	N	240	60-3318	71-3324	41-4621	24.2 x 23T
		Race/Rally	N	240	60-3318	78-3324	41-4621	24.2 x 23T
Scirocco 265 R TSI 2.0ltr (Eng ; CDLA,CDLC)	2009 →	Road	N	240	60-3316	71-3317	41-4621	24.2 x 23T
		Race/Rally	N	240	60-3316	78-3317	41-4621	24.2 x 23T
Vento VR6 2.8ltr (Eng ; AAA)	1992-98	Road	N	228	60-4603	70-4606	40-4717	22.1 x 28T
		Race/Rally	N	228	60-4603	76-4606	40-4717	22.1 x 28T

Vehicle	Year	Application	Ø	Cover	Plate	Bearing	Spline
---------	------	-------------	---	-------	-------	---------	--------

VOLVO

Model 242,244,245 1.9,2.0ltr	1978-90	Road	N	215	60-1027	70-3859	40-2112	25 x 22T
		Race/Rally	N	215	60-1027	76-3859	40-2112	25 x 22T

850 T5 2.3ltr	1993-96	Road	N	240	60-4836	70-4837	40-3700	21.8 x 20T
		Race/Rally	N	240	60-4836	76-4837	40-3700	21.8 x 20T

850 T5-R 2.3ltr	1994-96	Road	N	240	60-4836	70-4837	40-3700	21.8 x 20T
		Race/Rally	N	240	60-4836	76-4837	40-3700	21.8 x 20T

C70 T5 2.3ltr	1997-05	Road	N	240	60-4838	71-4839	41-3701	21.8 x 20T
		Race/Rally	N	240	60-4838	78-4836	41-3701	21.8 x 20T

S70 T5 2.3ltr	1996-99	Road	N	240	60-4838	71-4839	41-3701	21.8 x 20T
		Race/Rally	N	240	60-4838	78-4836	41-3701	21.8 x 20T

V70 T5 2.3ltr <i>(Eng ; B5234T3)</i> <i>(Chassis No → 395001)</i>	1996-02	Road	N	240	60-4835	71-4839	40-7115	21.8 x 20T
		Race/Rally	N	240	60-4835	78-4839	40-7115	21.8 x 20T

V70 T5 2.3ltr <i>(Eng ; B5234T3)</i> <i>(Chassis No ; 395002 →)</i>	1996-02	Road	N	240	60-4838	71-4839	41-3701	21.8 x 20T
		Race/Rally	N	240	60-4838	78-4836	41-3701	21.8 x 20T

WESTFIELD

Vauxhall 1.6ltr Turbo	2010 →	Road	N	228	12-3938	71-3937	45-3293	26 x 23T
		Race/Rally	N	228	60-3938	78-3937	45-3293	26 x 23T

Vauxhall 2.0ltr 16v		Road	N	228	12-4626	70-4628	40-2482	25.4 x 23T
		Race/Rally	N	228	12-4626	76-4628	40-2482	25.4 x 23T
		Race/Rally	N	228	60-3438	70-3439	40-2482	25.4 x 23T

Cover Part No.	Recommended maximum torque with organic faced drive plate.		Recommended maximum torque with cerametallic faced paddle drive plate.		Vehicle Manufacturer
	<i>(Prefix 70- & 71-)</i>		<i>(Prefix 76- & 78-)</i>		
	Nm	(lb ft)	Nm	(lb ft)	
60-1003	228	(168)	304	(224)	ALFA
60-1005	255	(188)	340	(251)	ALFA
60-1012	177	(130)	215	(158)	FORD
60-1027	231	(170)	283	(208)	VOLVO
60-1045	***	(***)	***	(***)	SAAB
60-1083	261	(193)	317	(234)	RENAULT
60-1185	251	(184)	328	(241)	PORSCHE
60-1186	231	(170)	272	(200)	ALFA
60-1202	218	(160)	265	(195)	FIAT
60-1206	333	(245)	***	(***)	FIAT
60-1207	218	(160)	265	(195)	FIAT
60-1212	170	(125)	225	(168)	SIMCA
60-1220	127	(93)	150	(110)	NISSAN
60-1225	***	(***)	***	(***)	DATSUN
60-1246	251	(184)	328	(241)	BMW
60-1751	200	(147)	266	(196)	PORSCHE
60-1913	266	(195)	336	(247)	PORSCHE
60-2021	228	(168)	304	(224)	VW
60-2182	244	(179)	288	(212)	FIAT
60-2183	381	(281)	509	(375)	FERRARI
60-2183	381	(281)	509	(375)	CITROEN
60-2284	535	(394)	789	(580)	AUDI
60-2324	170	(124)	225	(166)	AUDI
60-2325	244	(179)	288	(212)	HYUNDAI
60-2325	245	(179)	289	(212)	MITSUBISHI
60-2326	306	(225)	373	(274)	TOYOTA
60-2339	218	(160)	265	(195)	ALFA
60-2342	215	(160)	288	(216)	FORD
60-2347	162	(119)	188	(138)	FORD
60-2350	249	(183)	***	(***)	FORD
60-2360	218	(160)	265	(195)	FORD
60-2362	***	(***)	327	(240)	FORD
60-2402	156	(115)	208	(153)	FIAT
60-2412	386	(283)	454	(324)	BMW
60-2414	462	(340)	508	(374)	BMW
60-2420	209	(154)	261	(191)	BMW → MINI
60-2424	265	(194)	338	(248)	BMW → MINI
60-2432	343	(252)	401	(295)	BMW → MINI
60-2436	402	(296)	456	(335)	BMW → MINI
60-2438	215	(158)	264	(194)	BMW → MINI
60-2442	265	(194)	338	(248)	BMW → MINI
60-2490	177	(130)	218	(160)	FORD
60-2498	436	(320)	***	(***)	ROVER - TVR
60-2499	436	(320)	***	(***)	ROVER - TVR

Cover Part No.	Recommended maximum torque with organic faced drive plate.		Recommended maximum torque with cerametallic faced paddle drive plate.		Vehicle Manufacturer
	<i>(Prefix 70- & 71-)</i>		<i>(Prefix 76- & 78-)</i>		
	Nm	(lb ft)	Nm	(lb ft)	
60-2501	***	(***)	510	(375)	ROVER - TVR
60-2502	370	(503)	446	(606)	JAGUAR
60-2503	370	(503)	446	(606)	JAGUAR
60-2506	510	(375)	750	(552)	ASTON MARTIN
60-2515	170	(126)	226	(168)	MG
60-2515	170	(126)	226	(168)	SUNBEAM
60-2515	170	(126)	226	(168)	BRISTOL
60-2634	326	(443)	540	(734)	FERRARI
60-2644	545	(401)	671	(502)	FERRARI
60-2664	244	(179)	***	(***)	NISSAN
60-2666	244	(179)	288	(212)	NISSAN
60-2668	435	(320)	490	(360)	NISSAN
60-2668 HD	487	(358)	547	(402)	NISSAN
60-2676	667	(490)	800	(588)	NISSAN
60-2723	320	(235)	***	(***)	FORD
60-2724	***	(***)	389	(286)	FORD
60-2728	338	(249)	402	(296)	FORD
60-2730	320	(235)	389	(286)	FORD
60-2759	436	(320)	510	(375)	FERRARI
60-2762	338	(250)	450	(332)	FERRARI
60-2816	245	(180)	***	(***)	TOYOTA
60-2817	245	(180)	303	(203)	TOYOTA
60-2819	204	(150)	244	(180)	TOYOTA
60-2821	218	(160)	255	(188)	TOYOTA
60-2834	177	(130)	215	(158)	AUSTIN HEALEY
60-2835	178	(130)	216	(158)	MG
60-2836	177	(130)	218	(160)	HILLMAN
60-2838	104	(76)	129	(95)	Mini
60-2839	***	(***)	163	(120)	Mini
60-2842	244	(179)	288	(212)	LOTUS
60-2846	244	(179)	288	(212)	LOTUS
60-2848	244	(179)	288	(212)	LOTUS
60-2851	260	(191)	321	(236)	FORD
60-2854	436	(320)	***	(***)	JAGUAR
60-2856	408	(300)	496	(365)	LANDROVER
60-2858	***	(***)	510	(375)	JAGUAR
60-2859	436	(320)	510	(375)	ASTON MARTIN
60-2861	312	(230)	360	(265)	FORD
60-2864	436	(320)	***	(***)	JAGUAR
60-2865	***	(***)	510	(375)	JAGUAR
60-2866	456	(338)	610	(450)	JAGUAR
60-2867	466	(345)	524	(388)	ROVER
60-2868	466	(345)	524	(388)	JAGUAR
60-2869	466	(345)	524	(388)	BENTLEY

Cover Part No.	Recommended maximum torque with organic faced drive plate.		Recommended maximum torque with cerametallic faced paddle drive plate.		Vehicle Manufacturer
	<i>(Prefix 70- & 71-)</i>		<i>(Prefix 76- & 78-)</i>		
	Nm	(lb ft)	Nm	(lb ft)	
60-2870	524	(386)	700	(515)	ASTON MARTIN
60-2873	524	(386)	700	(515)	ASTON MARTIN
60-2875	478	(350)	553	(407)	LANDROVER
60-2878	527	(389)	703	(519)	LANDROVER
60-2881	95	(70)	149	(110)	TALBOT
60-2882	95	(70)	149	(110)	HILLMAN
60-2924	251	(184)	328	(241)	BMW
60-2926	285	(209)	342	(351)	BMW
60-2934	443	(326)	***	(***)	SUBARU
60-2935	***	(***)	485	(357)	SUBARU
60-2938	478	(351)	***	(***)	SUBARU
60-2940	511	(376)	600	(441)	SUBARU
60-2944	***	(***)	612	(450)	SUBARU
60-2947	404	(297)	484	(356)	SUBARU
60-2949	250	(185)	335	(247)	SUBARU
60-2950	740	(518)	850	(625)	SUBARU
60-2970	185	(136)	245	(180)	PROTON
60-2995	***	(***)	***	(***)	DATSUN
12-3100	411	(302)	496	(365)	TVR
60-3100	460	(340)	536	(396)	TVR
60-3121	485	(357)	564	(415)	NISSAN
60-3123	460	(338)	502	(369)	NISSAN
60-3125	435	(320)	438	(322)	NISSAN
60-3129	514	(378)	575	(423)	NISSAN
60-3132	515	(378)	576	(423)	NISSAN
60-3134	514	(378)	575	(423)	NISSAN
60-3140	483	(355)	538	(396)	NISSAN
60-3142	505	(371)	566	(416)	NISSAN
60-3208	252	(185)	318	(234)	ALFA
60-3212	420	(310)	496	(365)	AUDI
60-3214	224	(165)	270	(198)	ALFA
60-3216	275	(202)	351	(258)	ALFA
60-3218	293	(215)	354	(260)	ALFA
60-3220	545	(403)	640	(474)	AUDI
60-3222	325	(241)	382	(282)	FIAT
60-3224	324	(240)	384	(284)	AUDI
60-3228	148	(108)	174	(128)	HONDA
60-3230	218	(160)	265	(195)	HONDA
60-3246	513	(377)	615	(452)	MITSUBISHI
60-3308	380	(280)	445	(327)	AUDI
60-3310	326	(240)	385	(285)	AUDI/VW
60-3312	415	(305)	486	(357)	VOLKSWAGEN
60-3314	415	(305)	487	(357)	VOLKSWAGEN
60-3316	415	(305)	487	(357)	VOLKSWAGEN

Cover Part No.	Recommended maximum torque with organic faced drive plate.		Recommended maximum torque with cerametallic faced paddle drive plate.		Vehicle Manufacturer
	<i>(Prefix 70- & 71-)</i>		<i>(Prefix 76- & 78-)</i>		
	Nm	(lb ft)	Nm	(lb ft)	
60-3318	415	(305)	486	(357)	VOLKSWAGEN
60-3320	481	(354)	572	(421)	VOLKSWAGEN
60-3322	277	(204)	329	(242)	VOLKSWAGEN
60-3328	480	(352)	635	(470)	AUDI
60-3329	177	(130)	218	(160)	FORD
60-3331	218	(160)	258	(190)	MG
60-3340	360	(260)	475	(350)	ASTON MARTIN
60-3350	333	(245)	428	(315)	AUSTIN HEALEY
60-3358	360	(260)	475	(350)	ASTON MARTIN
60-3360	360	(260)	475	(350)	ASTON MARTIN
60-3387	461	(339)	511	(376)	AUDI
60-3389	510	(375)	605	(445)	AUDI
60-3393	147	(108)	190	(139)	SKODA
60-3408	300	(220)	359	(264)	HONDA
60-3409	300	(220)	360	(264)	HONDA
60-3410	215	(158)	245	(180)	HONDA
60-3412	245	(180)	***	(***)	HONDA
60-3415	***	(***)	284	(209)	HONDA
60-3416	296	(218)	374	(275)	HONDA
60-3420	258	(190)	314	(231)	HONDA
60-3422	212	(156)	260	(191)	MAZDA
60-3426	262	(193)	300	(220)	HONDA
60-3430	235	(173)	276	(203)	MAZDA
60-3433	446	(330)	526	(387)	AUDI
60-3436	334	(245)	396	(293)	MAZDA
60-3438	335	(245)	397	(293)	WESTFIELD
60-3518	244	(180)	296	(218)	TALBOT
60-3519	244	(180)	296	(218)	LOTUS
60-3549	372	(273)	420	(310)	TOYOTA
60-3554	232	(171)	283	(208)	DAEWOO
60-3677	163	(120)	204	(150)	VAUXHALL
60-3703	171	(126)	227	(167)	PEUGEOT
60-3721	217	(160)	290	(213)	MAZDA
60-3723	***	(***)	***	(***)	OPEL
60-3726	220	(162)	262	(193)	OPEL
60-3730	506	(373)	675	(500)	LAMBORGHINI
60-3759	***	(***)	***	(***)	ALFA
60-3772	***	(***)	90	(66)	CITROEN
60-3798	***	(***)	***	(***)	VOLKSWAGEN
60-3810	370	(270)	490	(360)	CITROEN
60-3820	215	(158)	***	(***)	TOYOTA
60-3822	***	(***)	264	(194)	TOYOTA
60-3838	204	(150)	250	(184)	OPEL
60-3838	204	(150)	250	(184)	VAUXHALL

Cover Part No.	Recommended maximum torque with organic faced drive plate.		Recommended maximum torque with cerametallic faced paddle drive plate.		Vehicle Manufacturer
	<i>(Prefix 70- & 71-)</i>		<i>(Prefix 76- & 78-)</i>		
	Nm	(lb ft)	Nm	(lb ft)	
60-3839	210	(154)	255	(188)	OPEL
60-3839	210	(154)	255	(188)	VAUXHALL
60-3840	150	(110)	193	(142)	PEUGEOT
60-3840	150	(110)	193	(142)	TOYOTA
60-3842	***	(***)	193	(142)	PEUGEOT
60-3849	244	(179)	***	(***)	TOYOTA
60-3851	***	(***)	311	(229)	TOYOTA
60-3852	232	(170)	279	(205)	TOYOTA
60-3855	320	(235)	***	(***)	TOYOTA
60-3856	***	(***)	363	(267)	TOYOTA
60-3861	220	(162)	***	(***)	PEUGEOT
60-3862	***	(***)	262	(193)	PEUGEOT
60-3864	116	(85)	167	(124)	AUSTIN MORRIS
60-3867	231	(170)	272	(200)	PEUGEOT
60-3871	207	(152)	253	(186)	ROVER
60-3872	***	(***)	256	(188)	PEUGEOT
60-3872	***	(***)	256	(188)	CITROEN
60-3874	218	(160)	***	(***)	PEUGEOT
60-3878	***	(***)	255	(187)	ROVER
60-3904	408	(300)	490	(360)	SUBARU
60-3904	408	(300)	490	(360)	TOYOTA
60-3916	***	(***)	***	(***)	RENAULT
60-3925	279	(205)	339	(249)	MAZDA
60-3926	286	(210)	345	(254)	MAZDA
60-3928	260	(192)	345	(255)	MAZDA
60-3938	***	(***)	***	(***)	WESTFIELD
60-3949	171	(126)	214	(157)	FIAT
60-3952	171	(126)	214	(157)	FIAT
60-3956	160	(118)	213	(157)	FIAT
60-4048	802	(590)	910	(669)	PORSCHE
60-4051	150	(110)	193	(142)	SUZUKI
60-4052	165	(121)	206	(151)	CITROEN
60-4052	165	(121)	206	(151)	SUZUKI
60-4053	192	(141)	224	(164)	SUZUKI
60-4079	381	(280)	466	(342)	PORSCHE
60-4086	442	(326)	544	(400)	PORSCHE
60-4100	335	(246)	445	(329)	DACIA
60-4285	295	(218)	395	(291)	MAZDA
60-4286	370	(272)	440	(323)	LANCIA
60-4300	652	(480)	895	(658)	PORSCHE
60-4302	***	(***)	***	(***)	PORSCHE
60-4313	300	(220)	359	(264)	SAAB
60-4314	312	(230)	386	(283)	SAAB
60-4331	237	(174)	***	(***)	RENAULT

Cover Part No.	Recommended maximum torque with organic faced drive plate.		Recommended maximum torque with cerametallic faced paddle drive plate.		Vehicle Manufacturer
	<i>(Prefix 70- & 71-)</i>		<i>(Prefix 76- & 78-)</i>		
	Nm	(lb ft)	Nm	(lb ft)	
60-4332	***	(***)	272	(200)	RENAULT
60-4341	408	(300)	538	(396)	AUDI
60-4420	252	(186)	318	(236)	MITSUBISHI
60-4423	203	(149)	250	(184)	MITSUBISHI
60-4424	226	(166)	268	(197)	HYUNDAI
60-4430	360	(265)	411	(302)	PORSCHE
60-4442	317	(233)	401	(294)	MITSUBISHI
60-4444	435	(315)	570	(420)	HYUNDAI
60-4445	382	(281)	***	(***)	LANCIA
60-4446	***	(***)	453	(333)	LANCIA
60-4448	381	(280)	***	(***)	FIAT
60-4449	367	(270)	422	(311)	MITSUBISHI
60-4450	***	(***)	451	(332)	FIAT
60-4453	378	(278)	***	(***)	ALFA
60-4454	395	(291)	***	(***)	ALFA
60-4456	***	(***)	449	(330)	ALFA
60-4460	***	(***)	485	(357)	MITSUBISHI
60-4463	511	(376)	599	(440)	MITSUBISHI
60-4464	450	(331)	***	(***)	MITSUBISHI
60-4468	522	(384)	***	(***)	MITSUBISHI
60-4469	***	(***)	661	(485)	MITSUBISHI
60-4472	522	(384)	***	(***)	MITSUBISHI
60-4474	***	(***)	660	(485)	MITSUBISHI
60-4475	522	(384)	***	(***)	MITSUBISHI
60-4476	***	(***)	660	(485)	MITSUBISHI
60-4480	556	(408)	646	(475)	MITSUBISHI
60-4497	230	(169)	270	(198)	RENAULT
60-4499	230	(169)	270	(198)	RENAULT
60-4501	370	(270)	490	(360)	CITROEN
60-4501	370	(270)	490	(360)	PEUGEOT
60-4514	413	(304)	479	(352)	TOYOTA
60-4516	539	(396)	668	(491)	TOYOTA
60-4521	366	(269)	***	(***)	TOYOTA
60-4523	***	(***)	491	(369)	TOYOTA
60-4553	232	(171)	285	(209)	OPEL
60-4555	232	(171)	285	(209)	OPEL
60-4555	232	(171)	285	(209)	VAUXHALL
60-4558	232	(171)	285	(209)	OPEL
60-4558	232	(171)	285	(209)	VAUXHALL
60-4560	464	(341)	533	(391)	OPEL
60-4560	464	(341)	533	(391)	VAUXHALL
60-4562	560	(412)	820	(603)	OPEL
60-4562	560	(412)	820	(603)	VAUXHALL
60-4574	250	(184)	311	(229)	VAG

Cover Part No.	Recommended maximum torque with organic faced drive plate.		Recommended maximum torque with cerametallic faced paddle drive plate.		Vehicle Manufacturer
	<i>(Prefix 70- & 71-)</i>		<i>(Prefix 76- & 78-)</i>		
	Nm	(lb ft)	Nm	(lb ft)	
60-4575	298	(216)	375	(275)	VAG
60-4582	275	(202)	363	(267)	FORD
60-4584	242	(178)	288	(212)	ROVER
60-4584	242	(178)	288	(212)	LOTUS
60-4584	242	(178)	288	(212)	MG
60-4586	263	(193)	322	(237)	MG
60-4588	330	(242)	390	(286)	MG
60-4603	422	(312)	502	(371)	VAG
60-4604	422	(312)	502	(371)	VAG
60-4605	422	(312)	502	(371)	VAG
60-4610	475	(349)	527	(388)	VAG
60-4612	643	(472)	849	(625)	AUDI
60-4620	374	(275)	442	(325)	OPEL
60-4620	374	(275)	442	(325)	VAUXHALL
60-4626	332	(245)	396	(293)	OPEL
60-4626	332	(245)	396	(293)	VAUXHALL
60-4638	361	(267)	424	(314)	FERRARI
60-4639	312	(230)	367	(271)	OPEL
60-4639	312	(230)	367	(271)	VAUXHALL
60-4643	422	(312)	483	(355)	MAZDA
60-4646	315	(232)	368	(272)	MAZDA
60-4652	404	(297)	472	(347)	NISSAN
60-4656	326	(240)	393	(289)	NISSAN
60-4666	249	(183)	309	(227)	FORD
60-4669	***	(***)	309	(227)	FORD
60-4694	478	(350)	551	(405)	LOTUS
60-4694	478	(350)	551	(405)	MG
60-4694	478	(350)	***	(***)	TVR
60-4695	306	(225)	382	(281)	RENAULT
60-4697	***	(***)	551	(405)	TVR
60-4708	476	(350)	***	(***)	FORD
60-4709	***	(***)	553	(407)	FORD
60-4712	319	(234)	367	(269)	PORSCHE
60-4715	178	(131)	***	(***)	VOLKSWAGEN
60-4716	***	(***)	239	(176)	VOLKSWAGEN
60-4726	242	(178)	290	(213)	VOLKSWAGEN
60-4730	245	(180)	291	(214)	VOLKSWAGEN
60-4740	306	(225)	368	(271)	BMW
60-4745	402	(296)	491	(361)	BMW
60-4747	500	(367)	700	(515)	BMW
60-4750	500	(367)	700	(515)	BMW
60-4752	408	(300)	479	(352)	BMW
60-4754	540	(400)	780	(573)	BMW

Cover Part No.	Recommended maximum torque with organic faced drive plate.		Recommended maximum torque with cerametallic faced paddle drive plate.		Vehicle Manufacturer
	<i>(Prefix 70- & 71-)</i>		<i>(Prefix 76- & 78-)</i>		
	Nm	(lb ft)	Nm	(lb ft)	
60-4756	500	(369)	666	(492)	BMW MINI
60-4786	231	(170)	283	(208)	TRIUMPH
60-4786	231	(170)	283	(208)	SAAB
60-4787	244	(179)	288	(212)	RILEY
60-4787	244	(179)	288	(212)	VOLVO
60-4800	243	(179)	290	(213)	PEUGEOT
60-4802	251	(185)	299	(220)	PEUGEOT
60-4806	447	(330)	512	(378)	ROVER
60-4810	368	(271)	400	(294)	RENAULT
60-4820	368	(271)	400	(294)	LOTUS
60-4822	226	(166)	268	(197)	LOTUS
60-4828	432	(318)	512	(376)	PORSCHE
60-4830	441	(325)	616	(452)	LOTUS
60-4832	490	(360)	676	(497)	LOTUS
60-4835	441	(316)	508	(373)	VOLVO
60-4836	430	(316)	508	(373)	VOLVO
60-4838	430	(316)	508	(373)	VOLVO
60-4856	245	(180)	299	(220)	VAG
60-4872	700	(514)	910	(669)	PORSCHE
60-4874	723	(513)	929	(683)	PORSCHE
60-4876	470	(345)	541	(398)	PORSCHE
60-4878	443	(326)	537	(395)	PEUGEOT
60-4880	548	(402)	804	(591)	PORSCHE
60-4882	538	(395)	667	(490)	PORSCHE
60-4886	570	(419)	846	(622)	PORSCHE
60-4894	179	(132)	218	(160)	FIAT
60-4899	147	(108)	190	(139)	SKODA
60-4932	332	(245)	396	(293)	PEUGEOT
60-4935	***	(***)	388	(285)	PEUGEOT
60-4938	343	(252)	***	(***)	PEUGEOT
60-4939	343	(252)	***	(***)	PEUGEOT
60-4942	332	(245)	396	(293)	PEUGEOT
60-4976	332	(245)	396	(293)	OPEL
60-4976	332	(245)	396	(293)	VAUXHALL
60-4980	475	(349)	***	(***)	OPEL
60-4980	475	(349)	***	(***)	VAUXHALL
60-4982	220	(163)	292	(216)	FORD
60-4984	***	(***)	527	(388)	OPEL
60-4984	***	(***)	527	(388)	VAUXHALL
60-4988	314	(231)	374	(275)	OPEL
60-4988	314	(231)	374	(275)	VAUXHALL
60-4990	300	(220)	359	(264)	OPEL
60-4990	300	(220)	359	(264)	VAUXHALL
60-4992	374	(275)	442	(325)	OPEL

Cover Part No.	Recommended maximum torque with organic faced drive plate.		Recommended maximum torque with cerametallic faced paddle drive plate.		Vehicle Manufacturer
	<i>(Prefix 70- & 71-)</i>		<i>(Prefix 76- & 78-)</i>		
	Nm	(lb ft)	Nm	(lb ft)	
60-4992	374	(275)	442	(325)	VAUXHALL
60-4995	277	(204)	338	(249)	OPEL
60-4995	277	(204)	338	(249)	VAUXHALL
60-4996	374	(275)	442	(325)	OPEL
60-4996	374	(275)	442	(325)	VAUXHALL
60-4997	310	(228)	365	(268)	OPEL
60-4997	310	(228)	365	(268)	VAUXHALL
60-5010	685	(505)	913	(673)	FERRARI
60-5075	275	(202)	***	(***)	FORD
60-5077	***	(***)	363	(267)	FORD
60-5078	280	(206)	352	(259)	FORD
60-5080	442	(325)	466	(343)	FORD
60-5084	296	(219)	364	(269)	FORD
60-5086	448	(329)	527	(388)	FORD
60-5090	393	(289)	461	(339)	FORD
60-5094	570	(420)	646	(475)	FORD
60-5096	746	(548)	884	(650)	FORD
60-5104	258	(190)	***	(***)	PEUGEOT
60-5104	258	(190)	***	(***)	CITROEN
60-5105	***	(***)	320	(235)	PEUGEOT
60-5105	***	(***)	320	(235)	CITROEN
60-5107	231	(170)	288	(212)	RENAULT
60-5110	231	(170)	289	(212)	RENAULT
60-5112	243	(180)	***	(***)	RENAULT
60-5114	***	(***)	288	(212)	RENAULT
60-5116	***	(***)	308	(228)	RENAULT
60-5120	381	(280)	***	(***)	PEUGEOT
60-5122	***	(***)	300	(220)	RENAULT
60-5124	409	(301)	496	(365)	PEUGEOT
60-5126	360	(265)	425	(312)	PEUGEOT
60-5132	257	(189)	314	(231)	SAAB
60-5132	260	(191)	340	(250)	TVR
60-5140	442	(325)	524	(385)	RENAULT
60-5143	176	(128)	214	(157)	ROVER
60-5143	177	(130)	222	(163)	ROVER
60-5144	442	(325)	524	(385)	RENAULT
60-5146	442	(325)	524	(385)	RENAULT
60-5148	280	(206)	343	(252)	RENAULT
60-5150	496	(365)	582	(428)	LOTUS
60-5160	***	(***)	***	(***)	FORD
60-5162	476	(350)	635	(469)	FORD
60-5201	571	(420)	639	(470)	OPEL
60-5201	571	(420)	639	(470)	VAUXHALL
60-5205	393	(289)	468	(344)	MITSUBISHI

Cover Part No.	Recommended maximum torque with organic faced drive plate.		Recommended maximum torque with cerametallic faced paddle drive plate.		Vehicle Manufacturer
	<i>(Prefix 70- & 71-)</i>		<i>(Prefix 76- & 78-)</i>		
	Nm	(lb ft)	Nm	(lb ft)	
60-5208	466	(343)	517	(380)	MITSUBISHI
60-5210	740	(518)	850	(625)	MITSUBISHI
60-5214	772	(568)	882	(648)	OPEL
60-5214	772	(568)	882	(648)	VAUXHALL
60-5216	600	(440)	795	(587)	PORSCHE
60-5252	480	(353)	558	(410)	NOBLE
60-5254	480	(353)	558	(410)	NOBLE
60-5300	287	(212)	383	(282)	ABARTH
60-5311	239	(175)	317	(234)	KIA
60-6008	204	(150)	250	(184)	VAUXHALL
60-6009	210	(154)	260	(191)	VAUXHALL
60-6023	257	(189)	***	(***)	FORD
60-6024	***	(***)	351	(258)	FORD
60-6028	257	(189)	***	(***)	FORD
60-6029	***	(***)	351	(258)	FORD
60-6034	266	(195)	372	(273)	FORD
60-6036	266	(195)	372	(273)	FORD
60-6040	400	(290)	527	(388)	FORD
60-6044	476	(350)	635	(469)	FORD
60-6062	263	(193)	322	(237)	ROVER
60-6064	***	(***)	400	(294)	ROVER
60-6083	254	(187)	***	(***)	FIAT
60-6084	***	(***)	317	(233)	FIAT
60-6087	254	(187)	317	(233)	FIAT
60-6089	254	(187)	317	(233)	FIAT
60-6090	256	(188)	318	(234)	FIAT
12-7001	367	(270)	424	(312)	FERRARI
60-7001	454	(334)	508	(374)	FERRARI
12-7002	379	(278)	436	(321)	FERRARI
60-7002	454	(334)	508	(374)	FERRARI
12-7003	367	(270)	424	(312)	FERRARI
60-7003	454	(334)	508	(374)	FERRARI
80-1188	340	(250)	450	(333)	ALFA
80-3003	720	(525)	950	(700)	VAG
80-3004A	740	(545)	985	(730)	FORD
80-3005	774	(570)	1030	(760)	BMW
80-3005A	774	(570)	1030	(760)	STANDARD
80-4003	720	(525)	950	(700)	LAMBORGHINI
80-4088	340	(250)	450	(333)	RENAULT

8 7 6 5 4 3 2 1

F

F

E

E

D

D

C

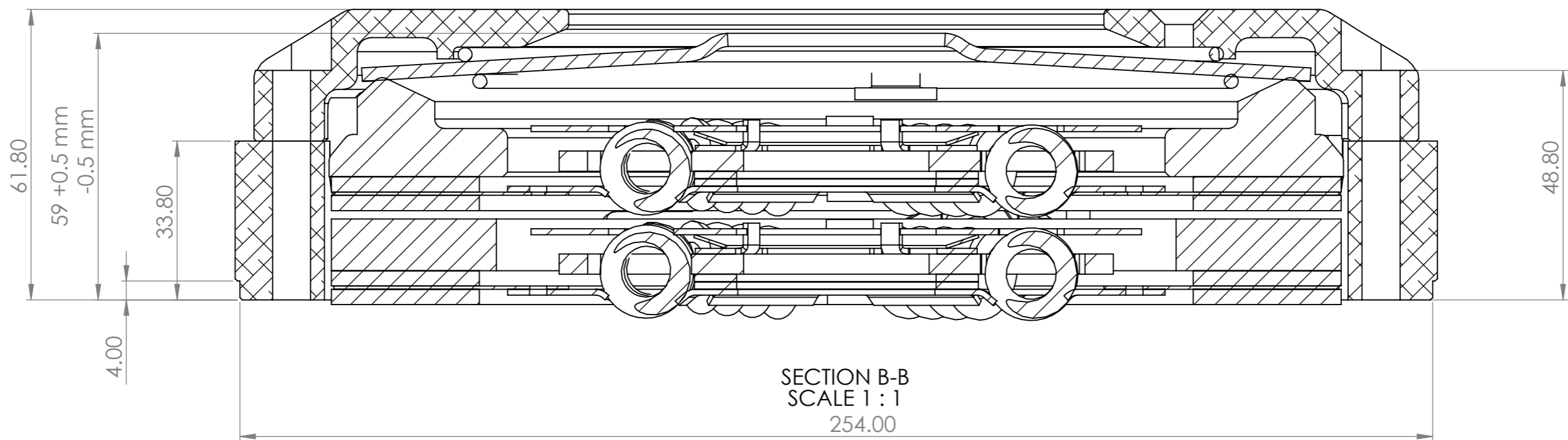
C

B

B

A

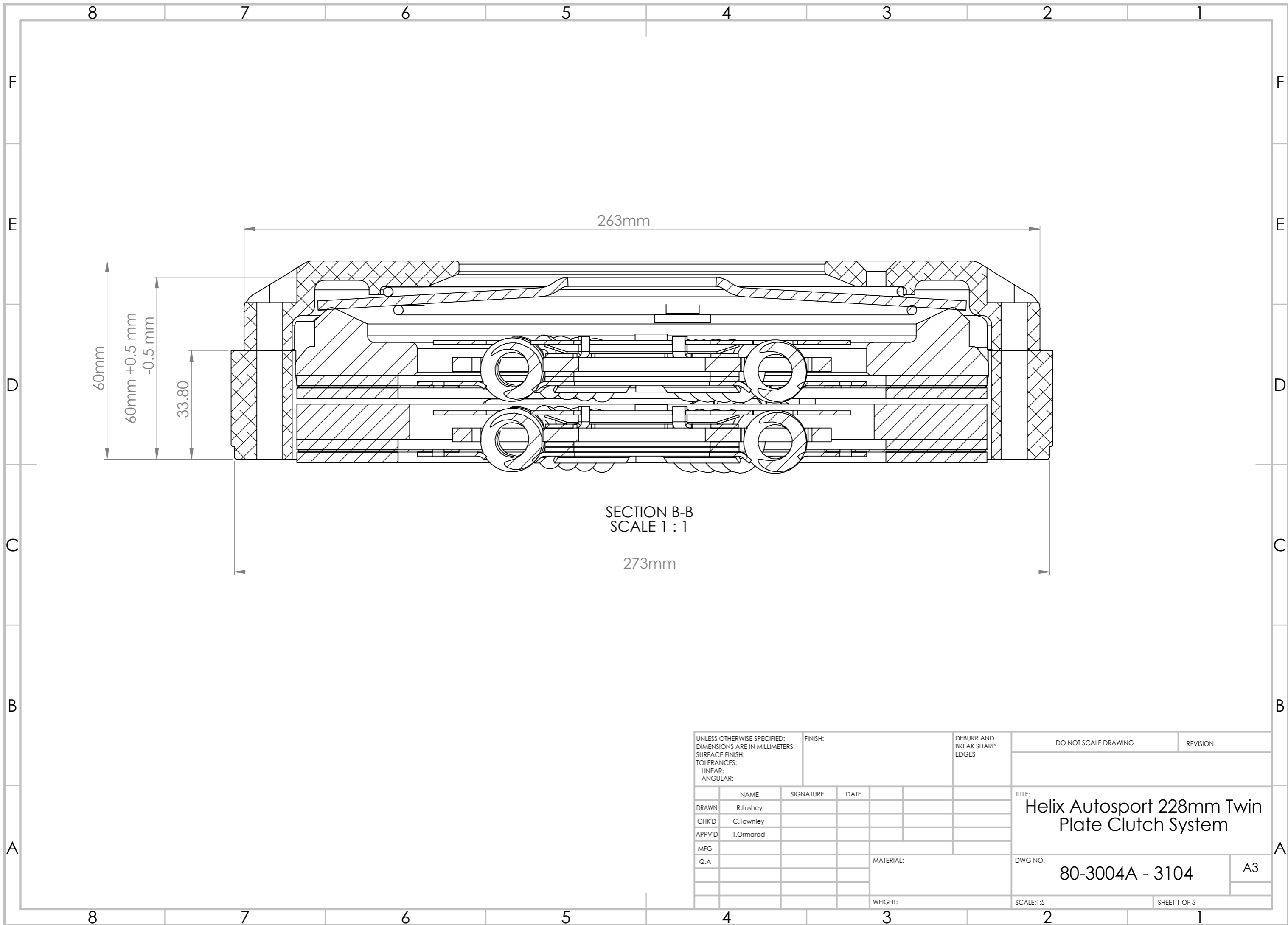
A



SECTION B-B
SCALE 1 : 1
254.00

UNLESS OTHERWISE SPECIFIED: DIMENSIONS ARE IN MILLIMETERS SURFACE FINISH: TOLERANCES: LINEAR: ANGULAR:			FINISH:		DEBURR AND BREAK SHARP EDGES		DO NOT SCALE DRAWING		REVISION		
DRAWN	R.Lushey	SIGNATURE	DATE				TITLE: Helix Autosport 215mm Twin Plate Clutch System				
CHK'D	C.Townley						DWG NO. 80-3003-3103				
APPV'D	T.Ormarod						SCALE:1:5				
MFG							SHEET 1 OF 5				
Q.A						MATERIAL:	A3				
						WEIGHT:					

8 7 6 5 4 3 2 1



SECTION B-B
SCALE 1 : 1

UNLESS OTHERWISE SPECIFIED:
DIMENSIONS ARE IN MILLIMETERS
SURFACE FINISH:
TOLERANCES:
LINEAR:
ANGULAR:

FINISH:

DEBURR AND
BREAK SHARP
EDGES

DO NOT SCALE DRAWING

REVISION

	NAME	SIGNATURE	DATE
DRAWN	R.Lushey		
CHK'D	C.Townley		
APPV'D	T.Ormarod		
MFG			
Q.A			

TITLE:
**Helix Autosport 228mm Twin
Plate Clutch System**

DWG NO.
80-3004A - 3104

A3

WEIGHT:

SCALE:1:5

SHEET 1 OF 5

